

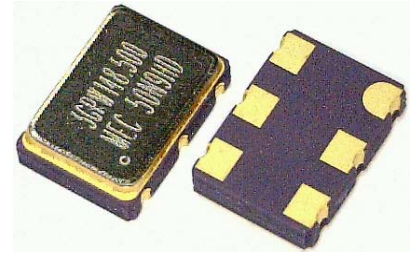
# Differential LVDS Crystal Clock Oscillators **300 fs Jitter**

## HDK5761 Series +2.5V +3.3V "K" Family



**MERCURY**  
Since 1973

- ◆ Femto second integrated phase jitter (300 fs typical, 12 KHz to 20 MHz).
- ◆ Superior phase noise (-138 dBc/Hz at 10 KHz and -142 dBc/Hz at 100 KHz offset).
- ◆ High performance with surprisingly low price.
- ◆ 2.5V or 3.3V supply voltage.



### General Specifications

<b>Product Series</b>	<b>HDK5761</b> ; "K" family characteristics. Tri-State on pad 1							
<b>Frequency Range</b>	40 MHz ~ 200 MHz.							
<b>Output Logic</b>	Differential LVDS square wave							
<b>Frequency Stability vs Operating Temperature Range</b>	Stability Code	<b>Commercial "C"</b> :: -10°C to +70°C			<b>Industrial "I"</b> :: -40°C to +85°C			
	±25 ppm	<b>A</b>			<b>D</b>			
	±50 ppm	<b>B</b>			<b>E</b>			
	±100 ppm	<b>C</b>			<b>F</b>			
	Custom ±xx ppm	<b>Cxx</b>			<b>Ixx</b>			
	If custom, use "temperature range code + desired stability in ppm" for the stability code. Example: " <b>C20</b> " (±20 ppm over -10 to +70°C).							
<b>Supply Voltage V<sub>CC</sub></b>	+2.5 V ± 5 % (Voltage code is " <b>25</b> "); or +3.3 V ± 5 % (Voltage code is " <b>3</b> ")							
<b>Output Voltage HIGH "1", V<sub>OH</sub></b>	1.43V typical; 1.6V max, RL=100 ohms.							
<b>Output Voltage LOW "0", V<sub>OL</sub></b>	0.9V min; 1.1V typical, RL=100 ohms							
<b>Output Swing</b>	250 mV min; 350 mv typical; 450 mv max. RL=100 ohms							
<b>Current Consumption</b>	16 mA typical; 27 mA max.							
<b>Load (RL)</b>	100 ohms between output and complimentary output							
<b>Rise Time (Tr)</b>	0.2 n sec. typ; 0.4 n sec. max. 20%→80% of waveform							
<b>Fall Time (Tf)</b>	0.2 n sec. typ; 0.4 n sec. max. 80%→20% of waveform							
<b>Duty Cycle</b>	50% ± 5% max. measured at 50% waveform							
<b>Tri-state Function on pad No. 1</b>	If no connection or V <sub>DD</sub> *70% min is applied: Output. Internal pull-up. Oscillation disable time: 0.2 u sec. max.							
	If V <sub>DD</sub> *30% max is applied: High impedance. Oscillation enable time: 2.0 m sec. max. Current consumption is 10 uA typical							
<b>Phase Jitter (RMS)</b>	300 fs typical (12 KHz to 20 MHz integrated)							
<b>SSB Phase Noise (dBc/Hz). Typical</b>	Offset	10 Hz	100 Hz	1 kHz	10 kHz	100 kHz	1 MHz	10 MHz
	125 MHz	-60	-90	-120	-136	-142	-145	-148
<b>Start-up Time</b>	3 ms typical; 10 m sec. max.							
<b>Aging</b>	±3 ppm / year max.							
<b>Packaging</b>	180 mm reel; 16 mm tape, 8.0 mm pitch. 1000 pcs per reel.							

<sup>(1)</sup>Inclusive of 25°C tolerance, operating temperature range, ±10% input voltage variation, load change, aging at +25°C, shock and vibration

**MERCURY** [www.mercury-crystal.com](http://www.mercury-crystal.com)

Taiwan: TEL (886)-2-2406-2779, FAX (886)-2-2496-0769, e-mail: sales-tw@mercury-crystal.com

U.S.A.: TEL (1)-909-466-0427, FAX (1)-909-466-0762, e-mail: [sales-us@mercury-crystal.com](mailto:sales-us@mercury-crystal.com)

# Differential LVDS Crystal Clock Oscillators **300 fs Jitter**

## HDK5761 Series +2.5V +3.3V "K" Family



**MERCURY**  
Since 1973

**Absolute Maximum Rating** Permanent damage may be created if operate beyond limits specified  $T_a=25^{\circ}\text{C}$ ,  $V_{ss}=0\text{V}$

Parameters	Rating	
	Min.	Max.
Supply Voltage	$V_{ss}-0.5\text{V}$	5.0V
Input Voltage	$V_{ss}-0.5\text{V}$	$V_{DD}+0.5\text{V}$
Output Voltage	$V_{ss}-0.5\text{V}$	$V_{DD}+0.5\text{V}$

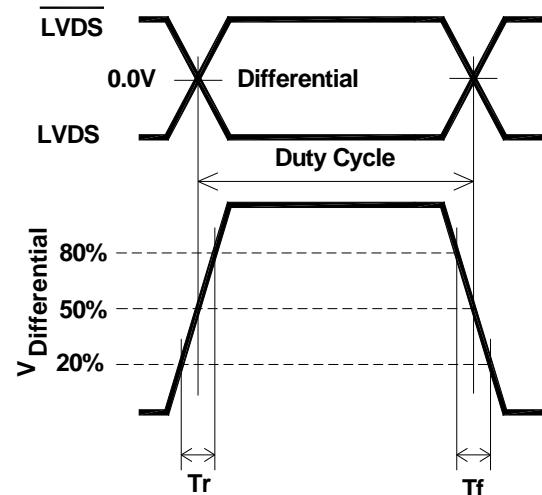
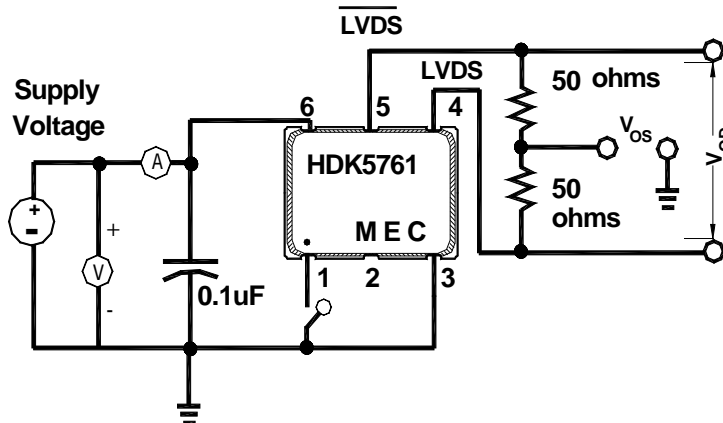
### Environmental Performance Specifications

Green Requirement	RoHS 6/6 (2002/95/EC) and WEEE (2002/96/EC) compliant
MSL Level	Level 1 per IPC/JEDEC J-STD-020D.1
Storage temp. range	$-55^{\circ}\text{C}$ to $+125^{\circ}\text{C}$
Humidity	85% RH, $85^{\circ}\text{C}$ , 48 hours
Hermetic seal	Leak rate $2 \times 10^{-8}$ ATM-cm <sup>3</sup> /sec max.
Solderability	MIL-STD-202F method 208E
Reflow	$260^{\circ}\text{C}$ for 10 sec max.. 2 times max.
Vibration	MIL-STD-202F method 204, 35G, 50 to 2000 Hz
Shock	MIL-STD-202F method 213B, test condi. E, 1000GG $\frac{1}{2}$ sine wave
ESD Protection	2KV max. Human body model.
Contact pad surface finish	Gold (0.3~1.0 $\mu\text{m}$ ) on nickel (1.27~8.89 $\mu\text{m}$ )
Weight per unit	180 mg typical

### Part Number Format and Examples:

<b>Example: 3HDK5761-A-155.520; 25HDK5761-A-155.520</b>					
<b>Explanation:</b> +3.3V HDK5761 series LVLVDS output clock oscillator, frequency stability is $\pm 25$ ppm over $-10^{\circ}\text{C}$ to $+70^{\circ}\text{C}$ , 155.520 MHz					
			⌀		⌀: customer to specify
3	HDK5761	—	A	—	155.520
①	②		③		④
①: $V_{DD}$ voltage codes: "3" for +3.3 V; "25" for +2.5 V ②: HDK5761 product series. "H" for clock; "D" for LVDS; "K": for "K" family characteristics. "576" for 5x7 mm SMD with 6 pads. "1" for Tri-State on pad 1.					
③: Frequency stability code: "A" ~ "F" or custom. See table above. ④: Frequency in MHz					

### 25HDK5761 and 3HDK5761 Test Circuit and Waveform:



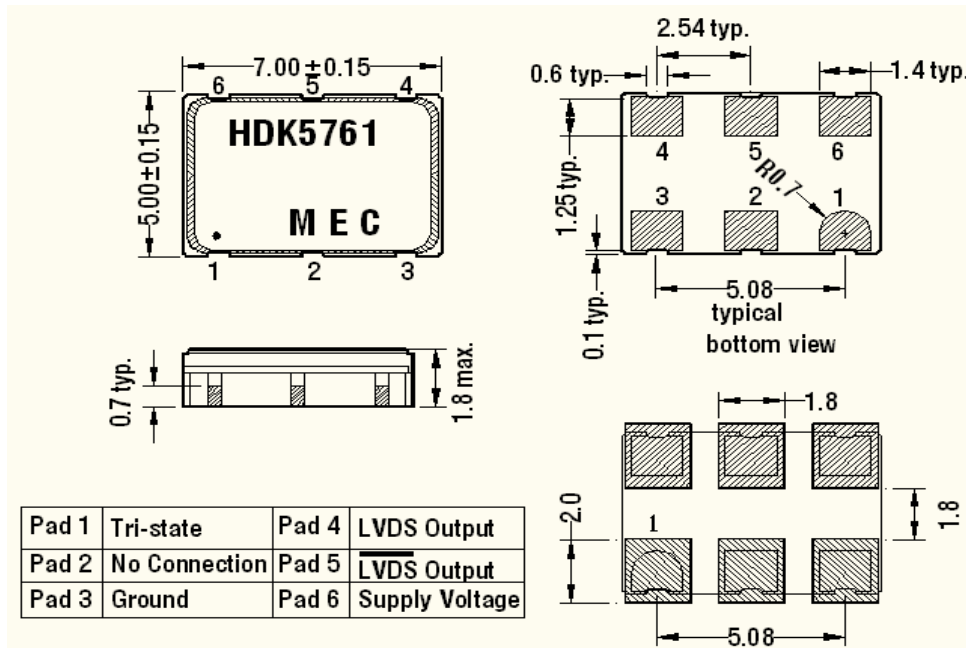
# Differential LVDS Crystal Clock Oscillators **300 fs Jitter**

## HDK5761 Series +2.5V +3.3V "K" Family

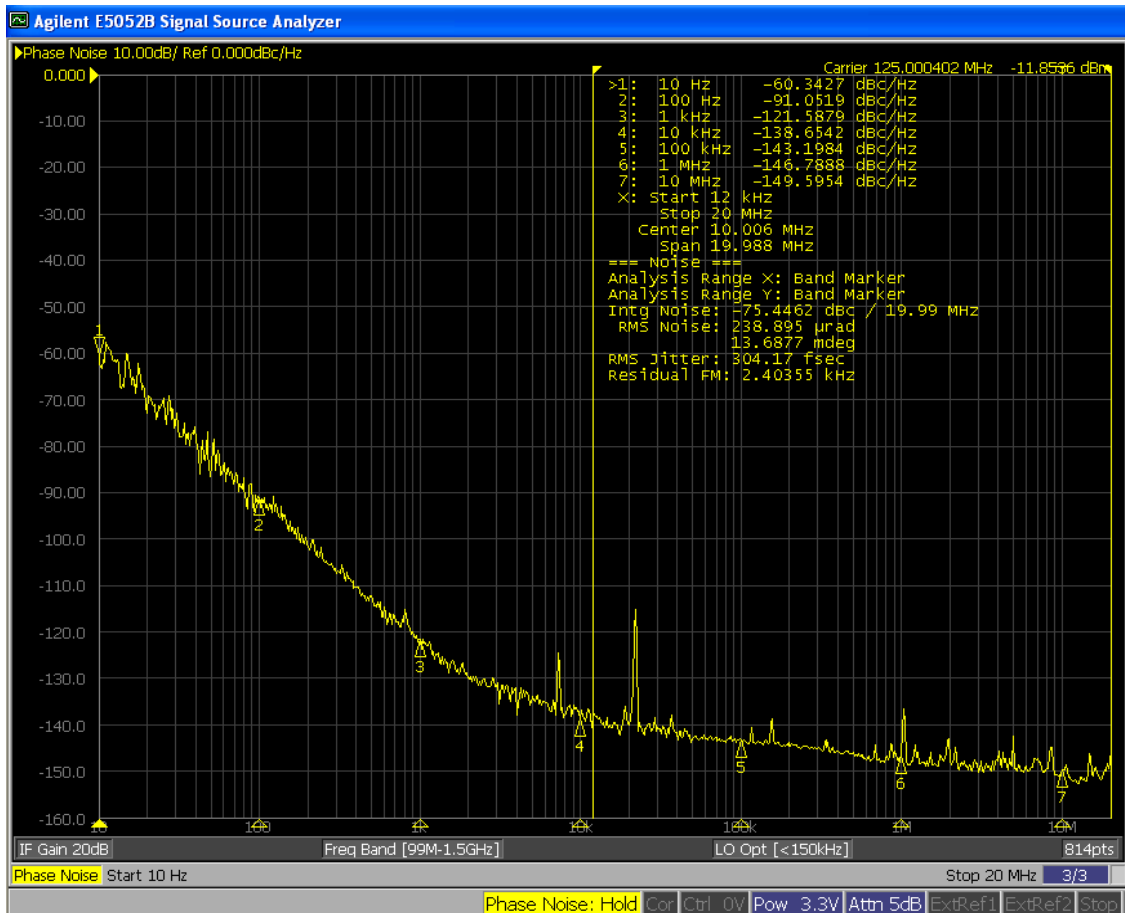


**MERCURY**  
Since 1973

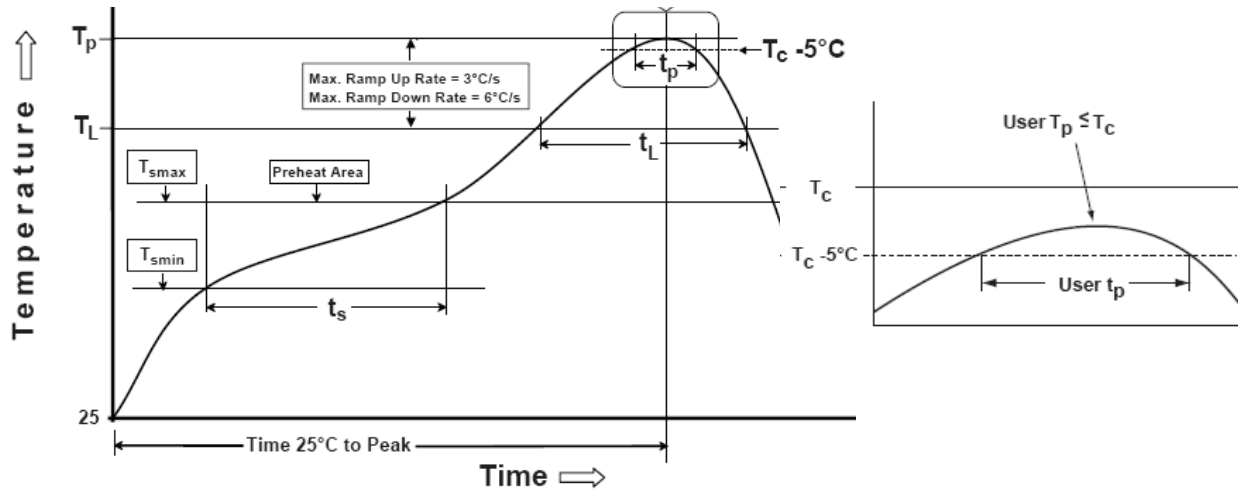
### HDK5761 Package Dimensions and Recommended Solder Pad Layout: unit mm[inches]



### Typical Phase Noise Plot 3HDK5761-A-125.000



**HDK5761 Recommended Solder Reflow Profile** (from IPC/JEDEC J-STD-020D.1)



Profile Feature	Sn-Pb Eutectic Assembly	Pb-free Assembly
Preheat/Soak		
- Temperature min. (T <sub>s</sub> min.)	100°C	150°C
- Temperature max. (T <sub>s</sub> max.)	150°C	200°C
- Time (t <sub>s</sub> ) (T <sub>s</sub> min. to T <sub>s</sub> max.)	60 to 120 seconds	60 to 180 seconds
Ramp-up rate (T <sub>L</sub> to T <sub>p</sub> )	3°C / sec. max.	3°C / sec. max.
Liquidous temperature (T <sub>L</sub> )	183°C	217°C
Time (t <sub>L</sub> ) maintained above T <sub>L</sub>	60 to 150 seconds	60 to 150 seconds
Peak package body temperature (T <sub>p</sub> )	235°C	260°C
Time (T <sub>p</sub> ) within 5°C of the classification temperature T <sub>c</sub>	10 to 30 seconds	20 to 40 seconds
Ramp-down rate (T <sub>p</sub> to T <sub>L</sub> )	6°C / second max.	6°C / second max.
Time 25°C to peak temperature	6 minutes max.	8 minutes max.

All temperatures refer to topside of the package, measured on the package body surface.