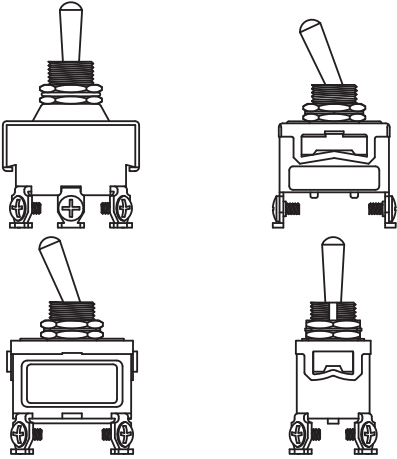


Series L7

Power Toggle Switches



SPECIFICATIONS:

RATING: 10A 250AC, 15A 125VAC.
 INSULATION RESISTANCE: DC 500V 200M-ohms min.
 CONTACT RESISTANCE: DC 2-4V 1A 20m-ohms max.
 WITHSTAND VOLTAGE: AC 1500V for 1 minute.

MATERIALS:

BUSHING: C-3604 CU alloy.
 COVER: Iron.
 ACTUATOR: C-3640 CU alloy.
 CONTACT ARM: Red brass.
 SILVER CONTACT: AG SNO₂+IN.
 CONTACT HOLDER: Red brass.
 HOUSING: Phenolic resin.
 TERMINAL: Bronze.
 SCREW: Iron.

SPST

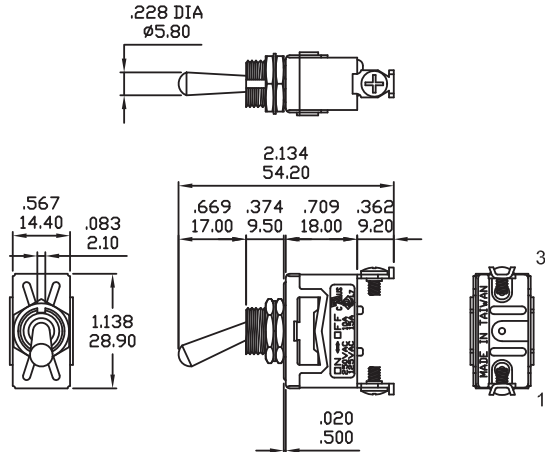


| Model No. | Switching Position | | |
|-------------|--------------------|------|------|
| | 2P-1 | ON | NONE |
| 2P-A | MOM | NONE | OFF |
| Term. Comm. | 1-3 | OPEN | OPEN |

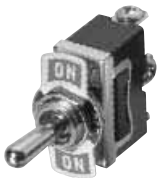
Schematic



Switching Plate (ON-OFF etc.) available



SPDT

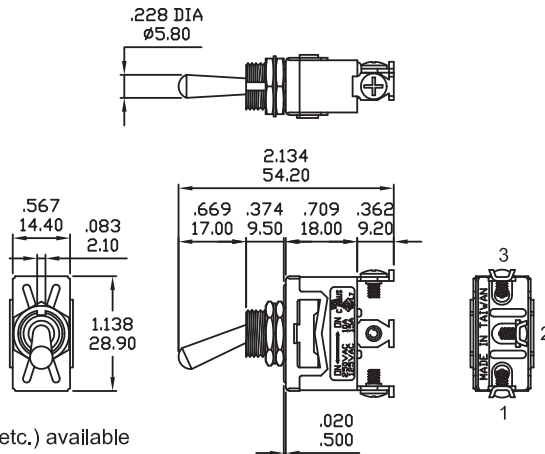


| Model No. | Switching Position | | |
|-------------|--------------------|------|------|
| | SP-1 | ON | NONE |
| SP-A | MOM | NONE | ON |
| SP-3 | ON | OFF | ON |
| SP-4 | MOM | OFF | MOM |
| SP-T | MOM | OFF | ON |
| Term. Comm. | 2-3 | OPEN | 2-1 |

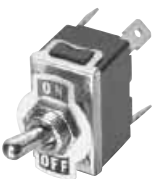
Schematic



Switching Plate (ON-ON etc.) available



DPST

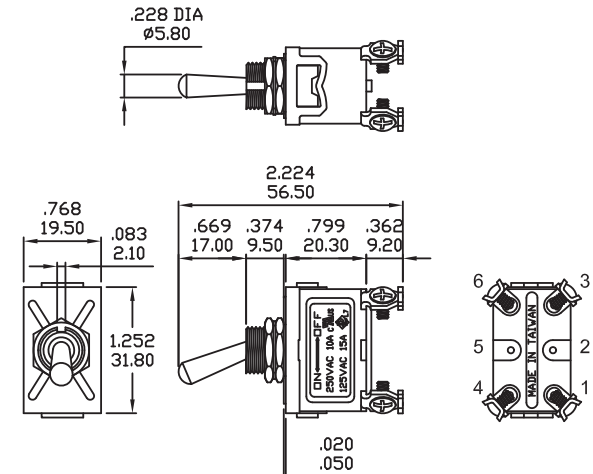


| Model No. | Switching Position | | |
|-------------|--------------------|------|------|
| | FP-1 | ON | NONE |
| FP-A | MOM | NONE | OFF |
| Term. Comm. | 1-3, 4-6 | OPEN | OPEN |

Schematic



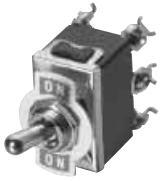
Switching Plate (ON-OFF etc.) available



Series L7

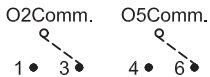
Power Toggle Switches

DPDT

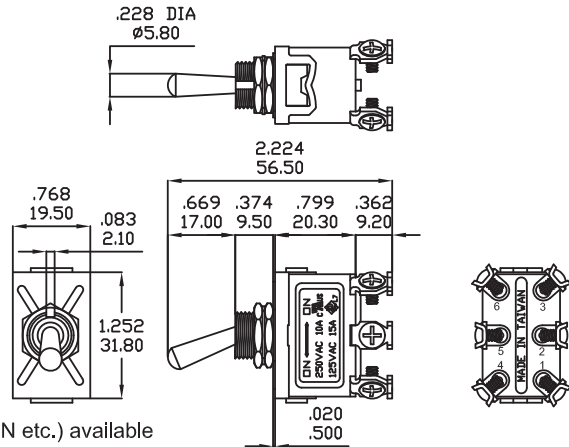


| Model No. | Switching Position | | |
|-------------|--------------------|------|----------|
| DP-1 | ON | NONE | ON |
| DP-A | MOM | NONE | ON |
| DP-3 | ON | OFF | ON |
| DP-4 | MOM | OFF | MOM |
| DP-T | MOM | OFF | ON |
| Term. Comm. | 2-3, 5-6 | OPEN | 2-1, 5-4 |

Schematic



Switching Plate (ON-ON etc.) available

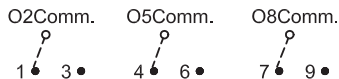


3PDT

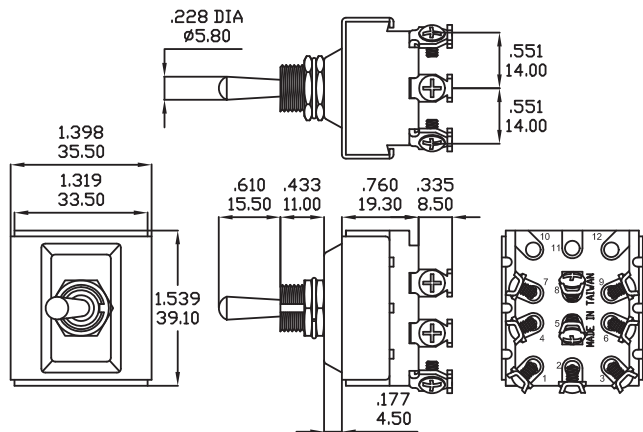


| Model No. | Switching Position | | |
|-------------|--------------------|------|-----------------|
| 3P-1 | ON | NONE | ON |
| 3P-3 | ON | OFF | ON |
| 3P-4 | MOM | OFF | MOM |
| Term. Comm. | 2-1, 5-4 8-7 | OPEN | 2-3, 5-6 8-9 |

Schematic



Switching Plate (ON-ON etc.) available

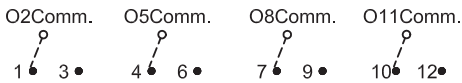


4PDT

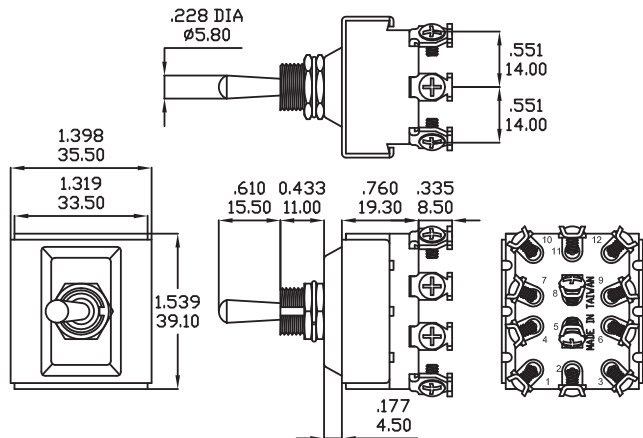


| Model No. | Switching Position | | |
|-------------|--------------------------|------|--------------------------|
| 4P-1 | ON | NONE | ON |
| 4P-3 | ON | OFF | ON |
| 4P-4 | MOM | OFF | MOM |
| Term. Comm. | 2-1, 5-4 8-7 11-10 | OPEN | 2-3, 5-6 8-9 11-12 |

Schematic

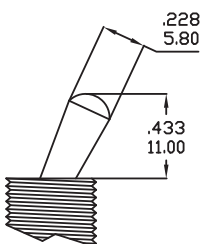


Switching Plate (ON-ON etc.) available

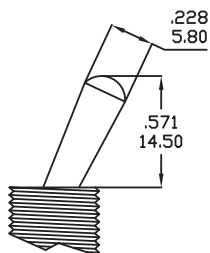


ACTUATOR OPTIONS

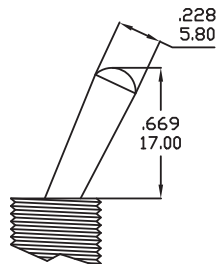
A1



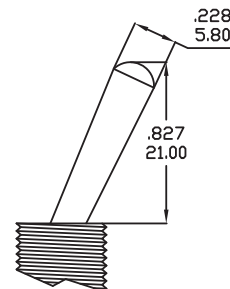
A2



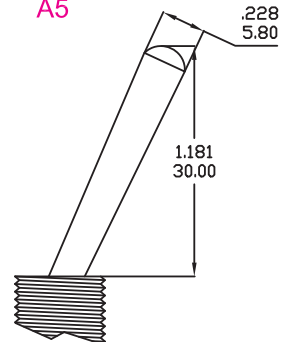
A3



A4

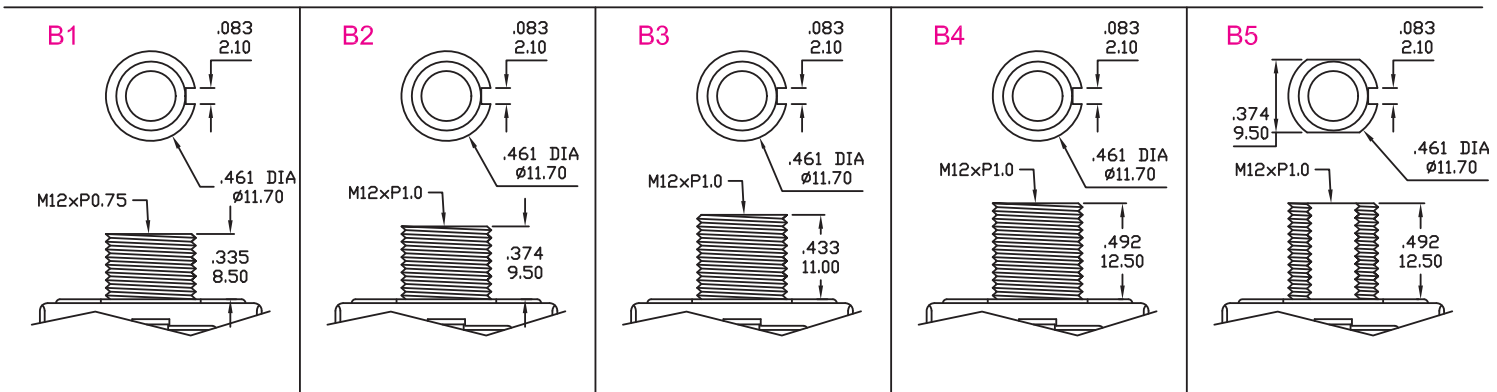


A5



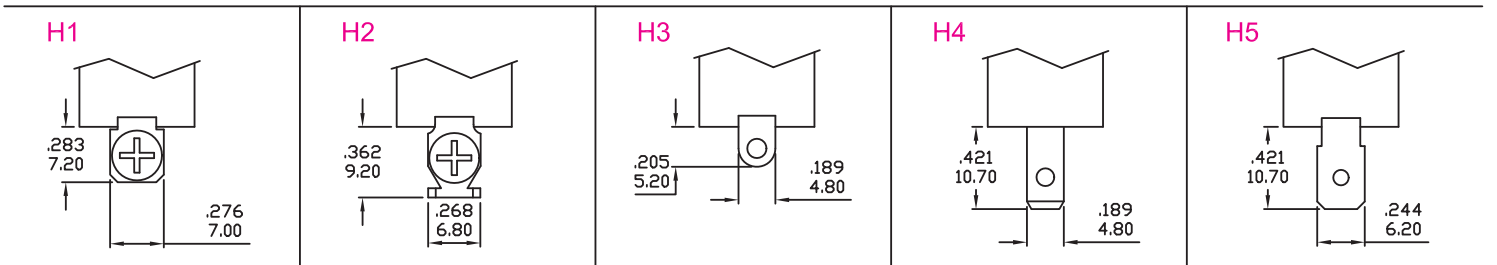
* Actuator length shown for A1~A5 is with B2 bushing.

BUSHING OPTIONS

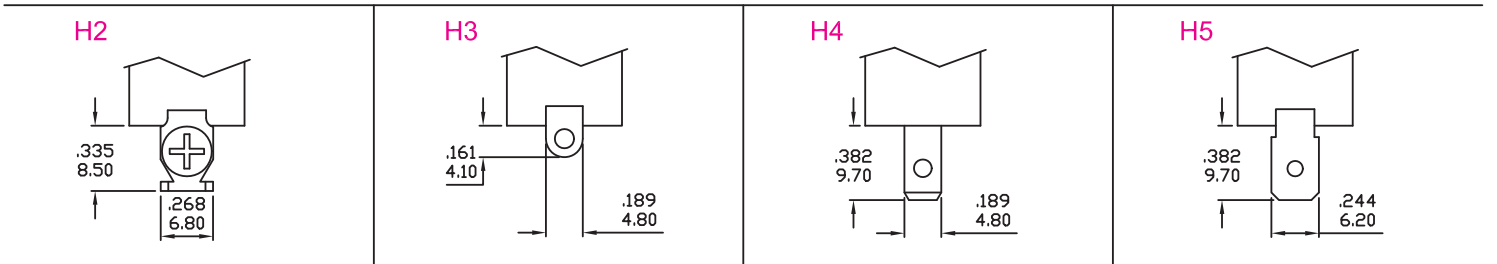


TERMINATION OPTIONS

(FOR SPST, SPDT, DPST, DPDT MODELS)



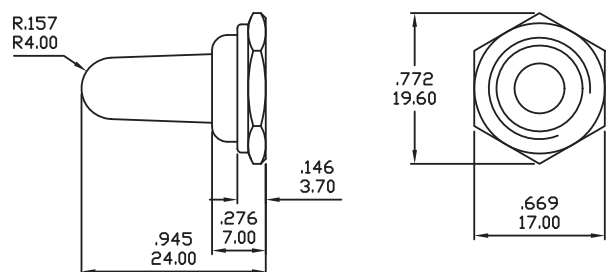
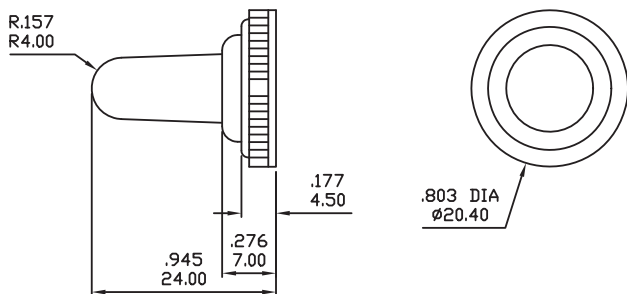
(FOR 3PDT, 4PDT MODELS)



OPTIONAL TOGGLE CAPS

YE1A06 M12xP0.75 RUBBER HOOD
YE2A06 M12xP1.0 RUBBER HOOD

YE1D06 M12xP0.75 HEX RUBBER HOOD
YE2D06 M12xP1.0 HEX RUBBER HOOD



HOW TO ORDER

