

Series AV

Anti-Vandal Pushbutton Switches

SPECIFICATIONS:

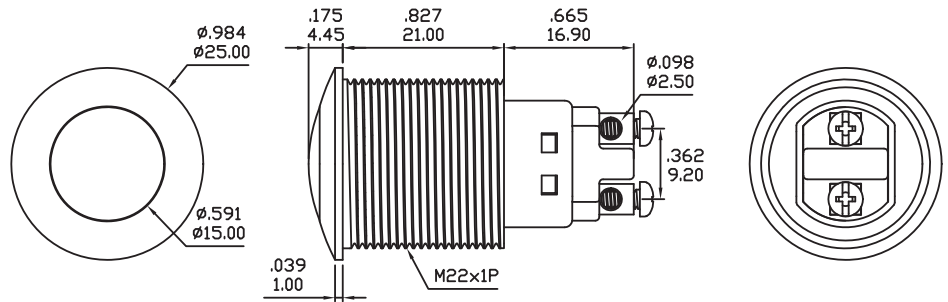
BUSHING: Ø22mm.
 CONTACT RATING: 2A @ 48VDC or 125VAC.
 ELECTRICAL LIFE: 10,000cycles at full load.
 CONTACT RESISTANCE: 10m-ohms max. initial @2-4VDC.
 INSULATION RESISTANCE: 1,000M-ohms min. @ 500VDC.
 DIELECTRIC STRENGTH: 3,000V RMS 50~60Hz.
 OPERATING TEMPERATURE: -20° C~+55° C.

MATERIALS:

BUSHING & BUTTON: Brass nickel plated.
 CONTACT: Silver alloy.
 BODY & BASE: Glass filled nylon 6/6 (UL 94V-0).
 NUT: Nickel plated brass.

Specifications and Dimensions subject to change

SPST Ø22mm, Solder Lug

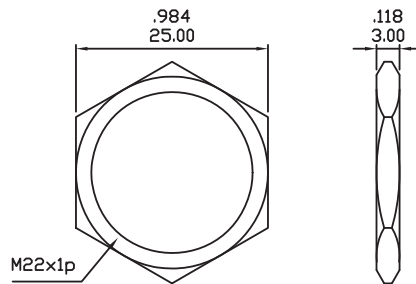


Model No.	SPST Type	
01	OFF	MOM

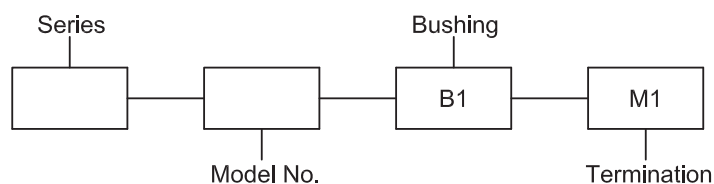
Schematic



NUT



HOW TO ORDER



Series AV

Anti-Vandal Pushbutton Switches

SPECIFICATIONS:

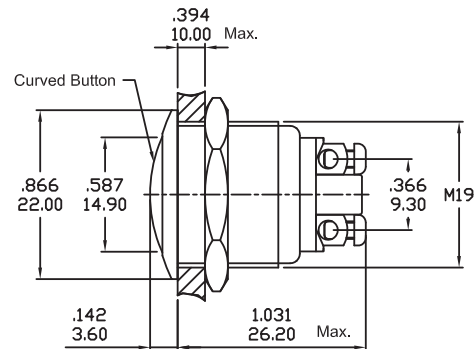
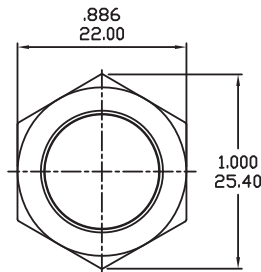
BUSHING: Ø19mm, Ø16mm, Ø12mm
 CONTACT RATING: 2A @ 36VDC.
 ELECTRICAL LIFE: 200,000cycles at full load.
 CONTACT RESISTANCE: 50m-ohms max. initial @2-4VDC.
 INSULATION RESISTANCE: 1,000M-ohms min. @ 500VDC.
 DIELECTRIC STRENGTH: 2,000V RMS 50~60Hz.
 IP CLASS: IP65 protection.
 TORQUE: 5~14Nm max. applied to nut.
 OPERATING FORCE: 5.5N max.
 OPERATING TEMPERATURE: -20° C~+55° C.

MATERIALS:

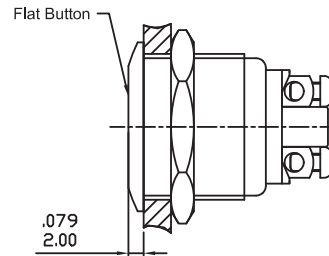
BUSHING: See Bushing Option.
 CONTACT: Silver alloy.
 BASE: PBT.
 NUT: Nickel plated brass.

Specifications and Dimensions subject to change

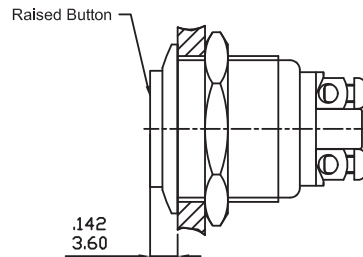
SPST Ø19mm, Solder Lug



Ex. P/N: AV01-B2-M1



Ex. P/N: AV01-B2-M1-F



Ex. P/N: AV01-B2-M1-R

Model No.	SPST Type	
01	OFF	MOM

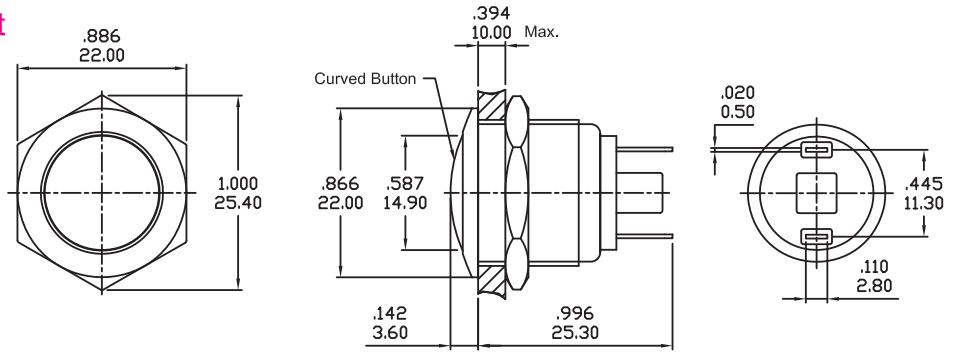
Schematic



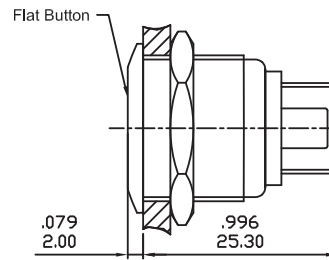
Series AV

Anti-Vandal Pushbutton Switches

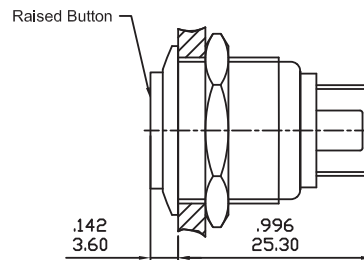
SPST \varnothing 19mm, Quick Connect



Ex. P/N: AV01-B2-M3



Ex. P/N: AV01-B2-M3-F



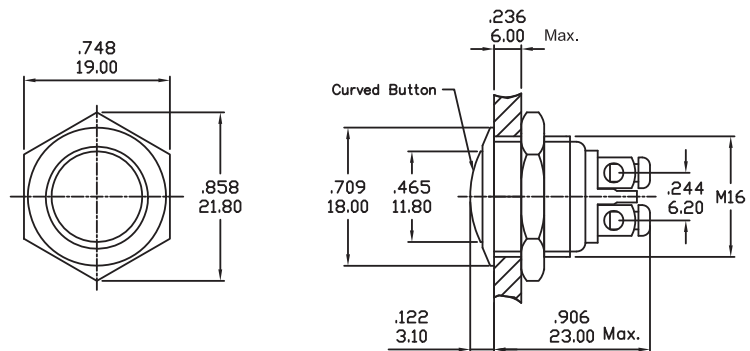
Ex. P/N: AV01-B2-M3-R

Model No.	SPST Type	
01	OFF	MOM

Schematic



SPST \varnothing 16mm, Solder Lug

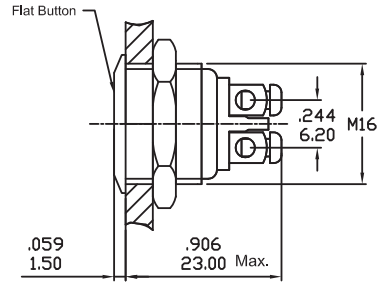
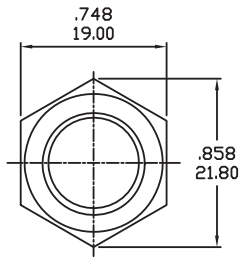


Ex. P/N: AV01-B3-M1

Series AV

Anti-Vandal Pushbutton Switches

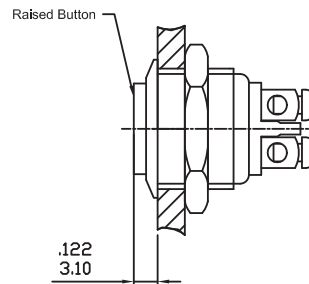
SPST Ø16mm, Solder Lug



Ex. P/N: AV01-B3-M1-F

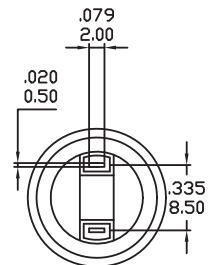
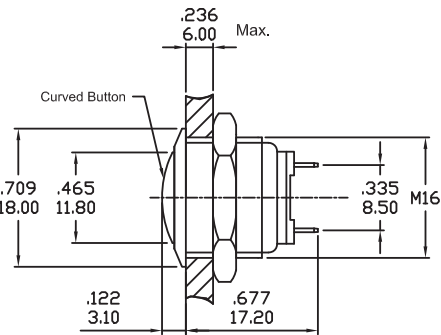
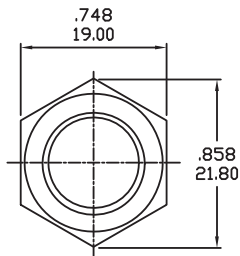
Model No.	SPST Type	
01	OFF	MOM

Schematic



Ex. P/N: AV01-B3-M1-R

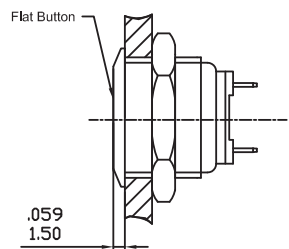
SPST Ø16mm, Quick Connect



Ex. P/N: AV01-B3-M3

Model No.	SPST Type	
01	OFF	MOM

Schematic

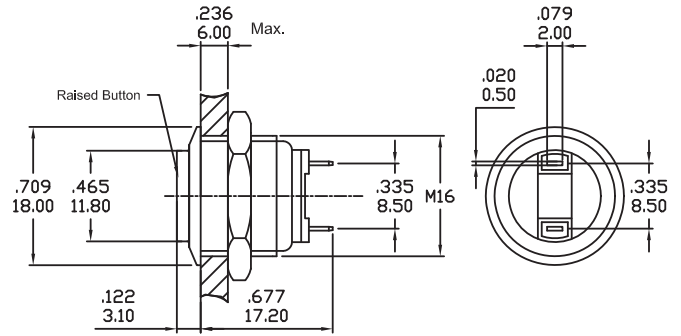
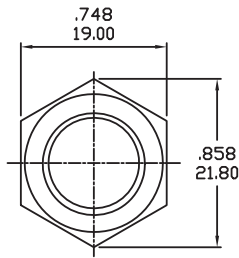


Ex. P/N: AV01-B3-M3-F

Series AV

Anti-Vandal Pushbutton Switches

SPST \varnothing 16mm, Quick Connect



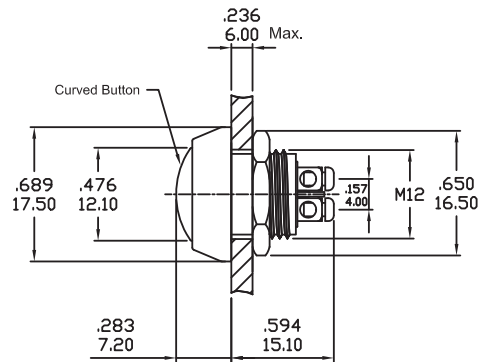
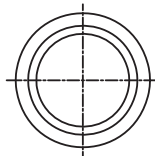
Ex. P/N: AV01-B3-M3-R

Model No.	SPST Type	
	01	OFF

Schematic



SPST \varnothing 12mm, Solder Lug



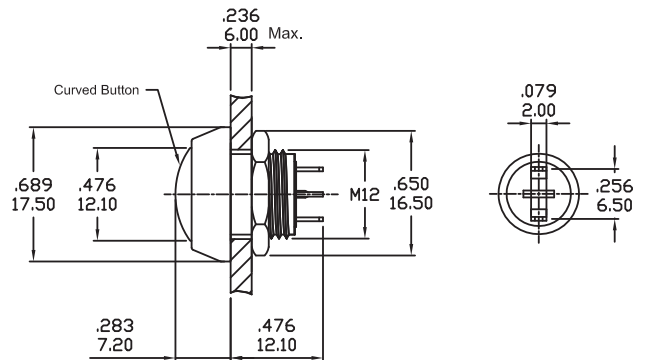
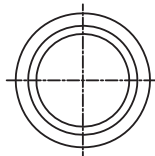
Ex. P/N: AV01-B4-M1

Model No.	SPST Type	
	01	OFF

Schematic



SPST \varnothing 12mm, Quick Connect



Ex. P/N: AV01-B4-M3

Model No.	SPST Type	
	01	OFF

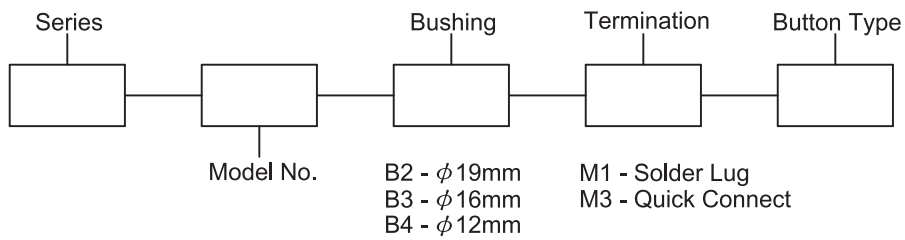
Schematic



BUSHING & BUTTON MATERIAL OPTIONS

Code	Bushing Size	Bushing & Button Material	MOQ
B2,B3,B4	φ 19,16,12mm	Nickel plated brass with varnished polished	100 PCS
B21,B31,B41	φ 19,16,12mm	Gold plated brass with varnished polished	2,000 PCS
B22,B32,B42	φ 19,16,12mm	Stainless steel with varnished polished	100 PCS
B23,B33,B43	φ 19,16,12mm	Zinc alloy with black nickel plated	2,000 PCS

HOW TO ORDER



Series AV

Anti-Vandal Pushbutton Switches

SPECIFICATIONS:

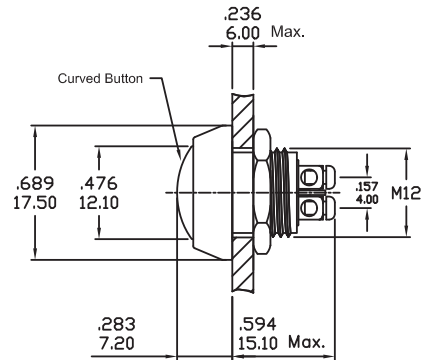
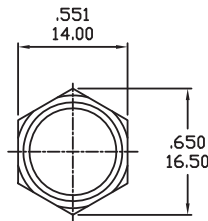
BUSHING: Ø12mm.
 CONTACT RATING: 2A @ 36VDC.
 ELECTRICAL LIFE: 200,000cycles at full load.
 CONTACT RESISTANCE: 50m-ohms max. initial @2-4VDC.
 INSULATION RESISTANCE: 1,000M-ohms min. @ 500VDC.
 DIELECTRIC STRENGTH: 2,000V RMS 50~60Hz.
 IP CLASS: IP65 protection.
 TORQUE: 5~14Nm max. applied to nut.
 OPERATING FORCE: 5.5N max.
 OPERATING TEMPERATURE: -20°C~+55°C.

MATERIALS:

BUSHING: Zinc alloy, black nickel plated.
 CONTACT: Silver alloy.
 BUTTON & BASE: PBT.
 NUT: Nickel plated brass.

Specifications and Dimensions subject to change

SPST Ø12mm, Solder Lug



Ex. P/N: AV01P-B4-M1-x

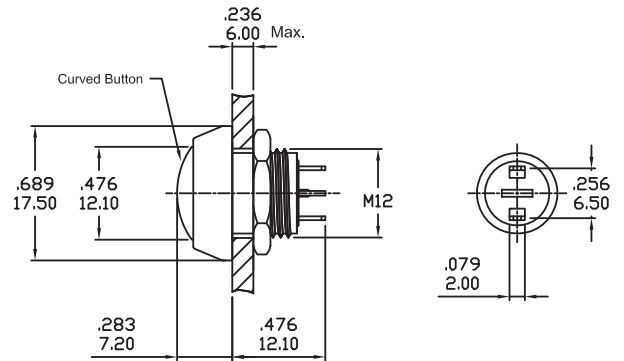
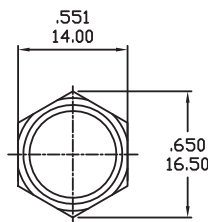
Replace "x" with button color

Model No.	SPST Type	
01	OFF	MOM

Schematic



SPST Ø12mm, Quick Connect



Ex. P/N: AV01P-B4-M3-x

Replace "x" with button color

Model No.	SPST Type	
01	OFF	MOM

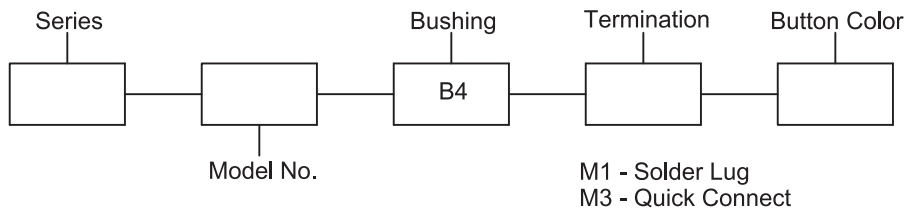
Schematic



BUTTON COLOR OPTIONS

Code	Button Color
R	Red
G	Green
Y	Yellow
O	Orange
B	Blue
W	White
K	Black

HOW TO ORDER



Series AV

Anti-Vandal Pushbutton Switches

SPECIFICATIONS:

BUSHING: Ø19mm, Ø16mm.

CONTACT RATING: Ø19, 22, 25mm 5A @ 250VAC,
Ø16mm 3A @ 250VAC.

ELECTRICAL LIFE: 50,000cycles at full load.

CONTACT RESISTANCE: 50m-ohms max. initial @2-4VDC.

INSULATION RESISTANCE: 1,000M-ohms min. @ 500VDC.

DIELECTRIC STRENGTH: 2,000V RMS 50~60Hz.

IP CLASS: IP65 or IP67 front panel protection.

TORQUE: 5~14Nm max. applied to nut.

OPERATING FORCE: Ø25mm-7N max. Ø22mm-5.5N max. Ø19mm-5N max. Ø16mm-4N max.

OPERATING TEMPERATURE: -20°C~+55°C.

MATERIALS:

BUSHING: See Bushing Option.

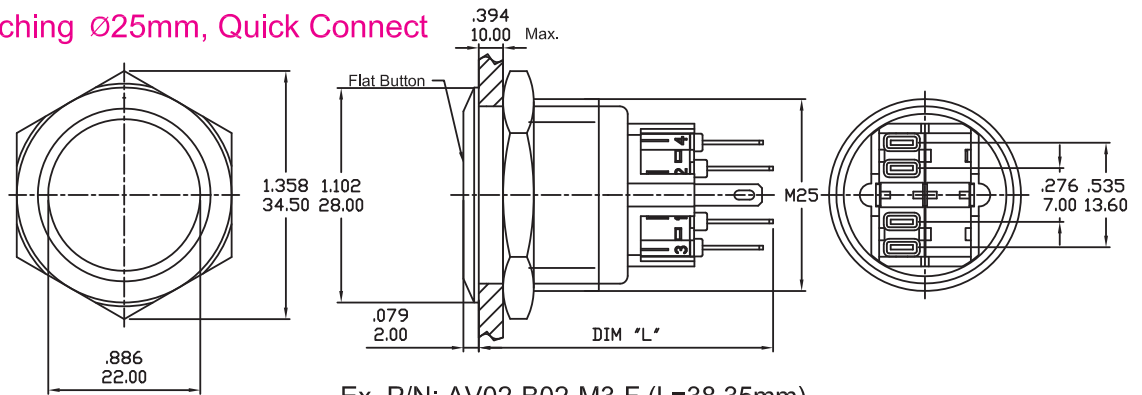
CONTACT: Silver alloy.

BASE: PBT or PA.

NUT: Nickel plated brass.

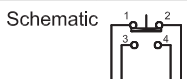
Specifications and Dimensions subject to change

Non-latching & Latching Ø25mm, Quick Connect

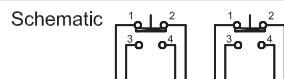


Ex. P/N: AV02-B02-M3-F (L=38.35mm)
AV03-B02-M3-F (L=41.35mm)

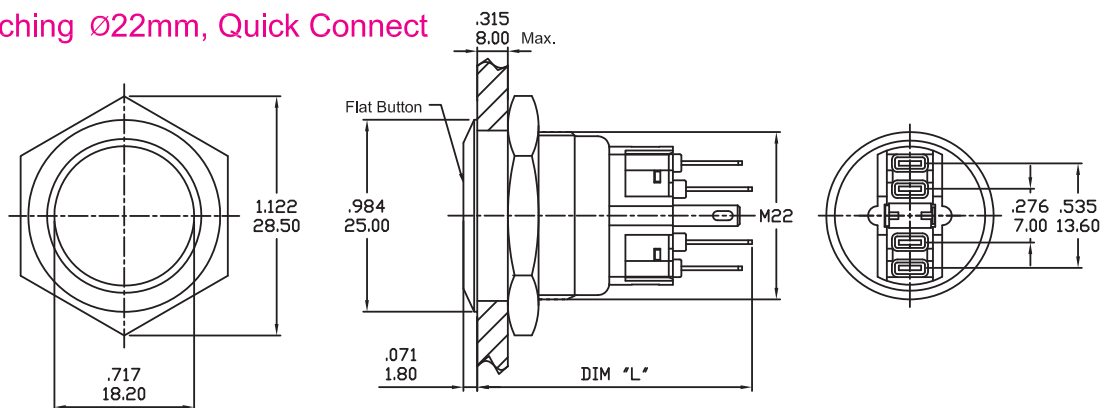
Model No.	SPDT Type	
02	ON	MOM
03	ON	ON



Model No.	DPDT Type	
12	ON	MOM
13	ON	ON

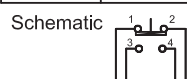


Non-latching & Latching Ø22mm, Quick Connect



Ex. P/N: AV02-B12-M3-F (L=35.8mm)
AV03-B12-M3-F (L=40.8mm)

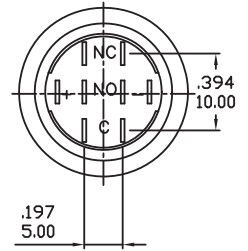
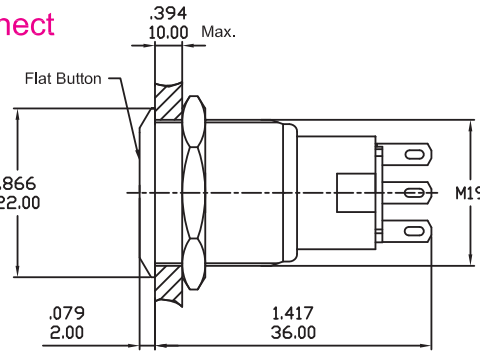
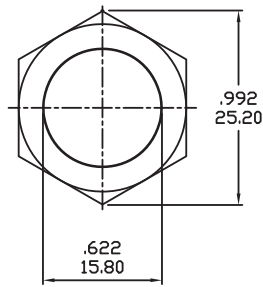
Model No.	SPDT Type	
02	ON	MOM
03	ON	ON



Series AV

Anti-Vandal Pushbutton Switches

Non-latching & Latching Ø19mm, Quick Connect



Ex. P/N: AV02-B22-M3-F
AV03-B22-M3-F

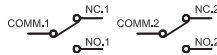
Model No.	SPDT Type	
02	ON	MOM
03	ON	ON

Schematic

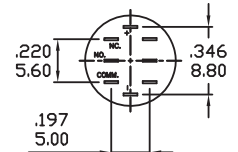
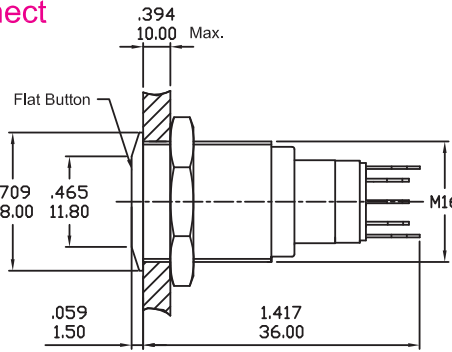
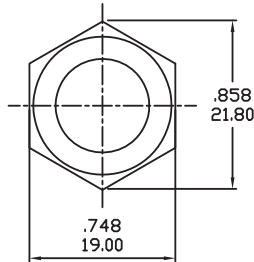


Model No.	DPDT Type	
12	ON	MOM
13	ON	ON

Schematic



Non-latching & Latching Ø16mm, Quick Connect



Ex. P/N: AV02-B3-M3-F & AV03-B3-M3-F

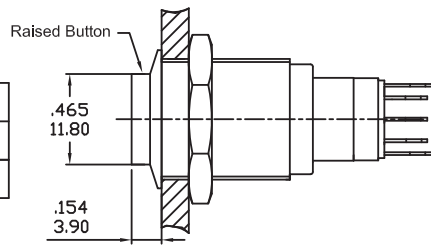
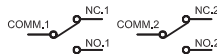
Model No.	SPDT Type	
02	ON	MOM
03	ON	ON

Schematic



Model No.	DPDT Type	
12	ON	MOM
13	ON	ON

Schematic

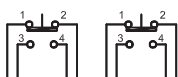


Ex. P/N: AV02-B3-M3-R & AV03-B3-M3-R

Illuminated Non-Latching & Latching Ø25mm, Quick Connect

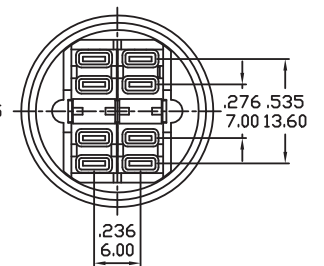
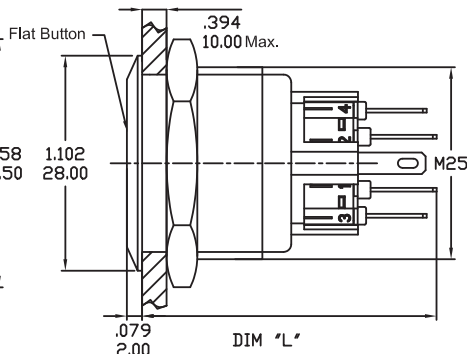
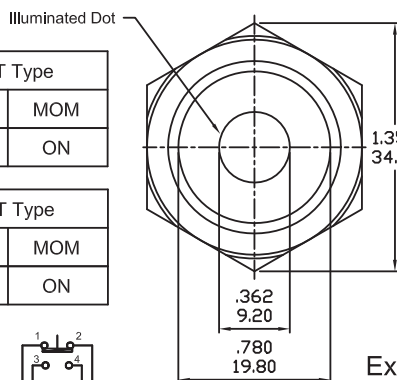
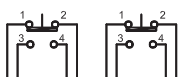
Model No.	SPDT Type	
02L	ON	MOM
03L	ON	ON

Schematic



Model No.	DPDT Type	
12L	ON	MOM
13L	ON	ON

Schematic



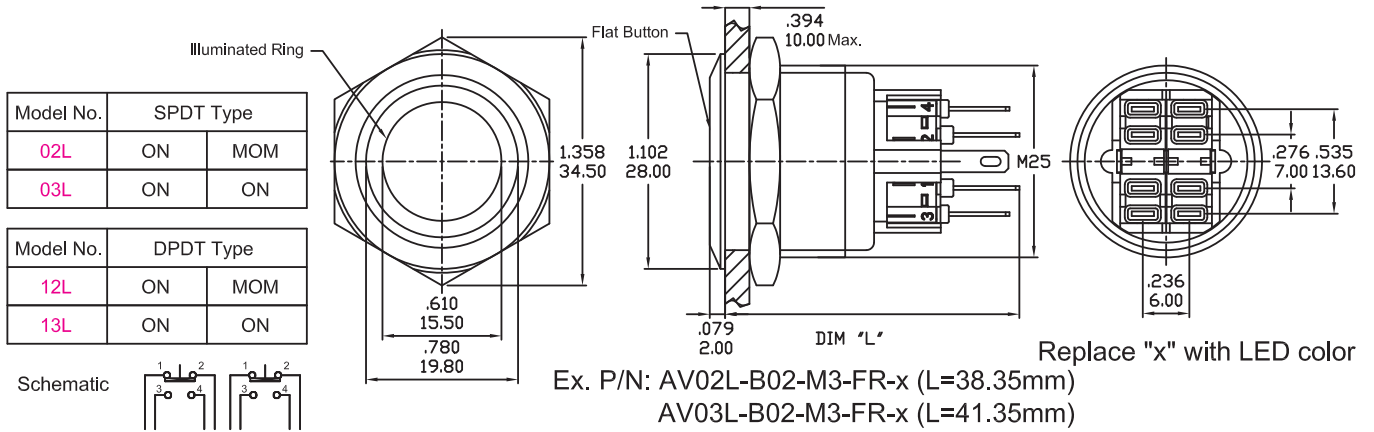
Ex. P/N: AV02L-B02-M3-FD-x (L=38.35)
AV03L-B02-M3-FD-x (L=41.35)

Replace "x" with LED color

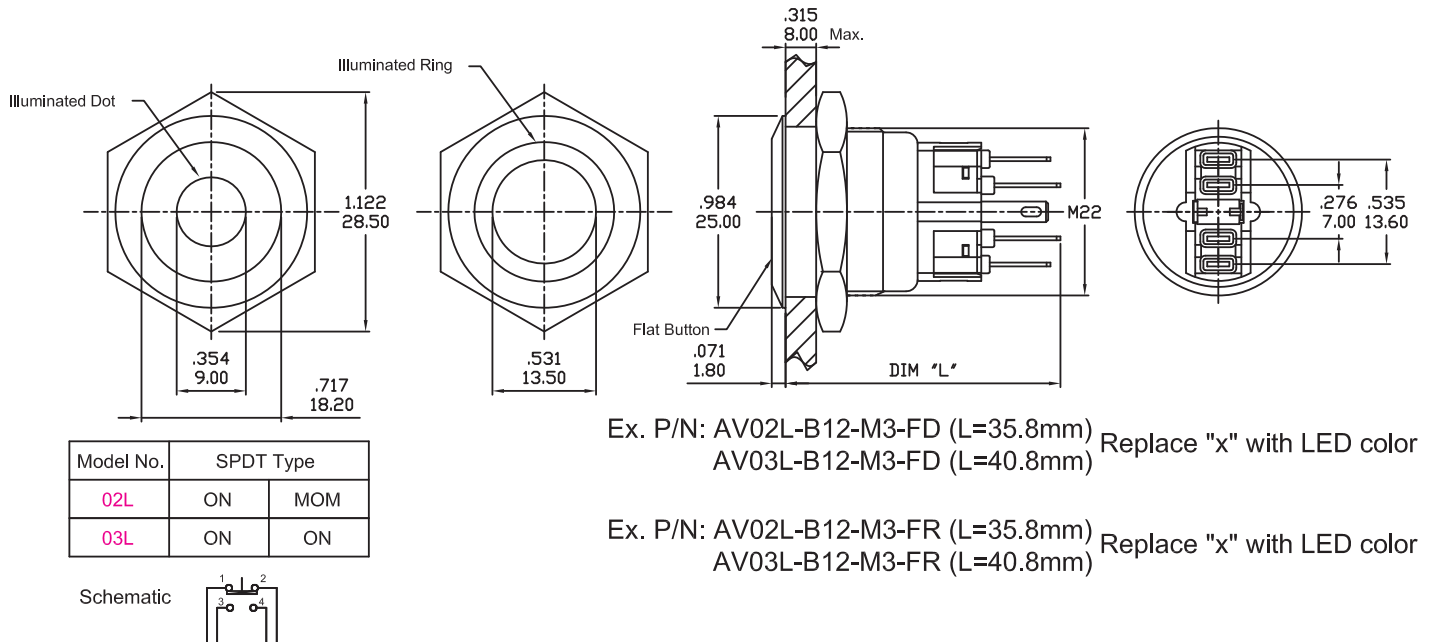
Series AV

Anti-Vandal Pushbutton Switches

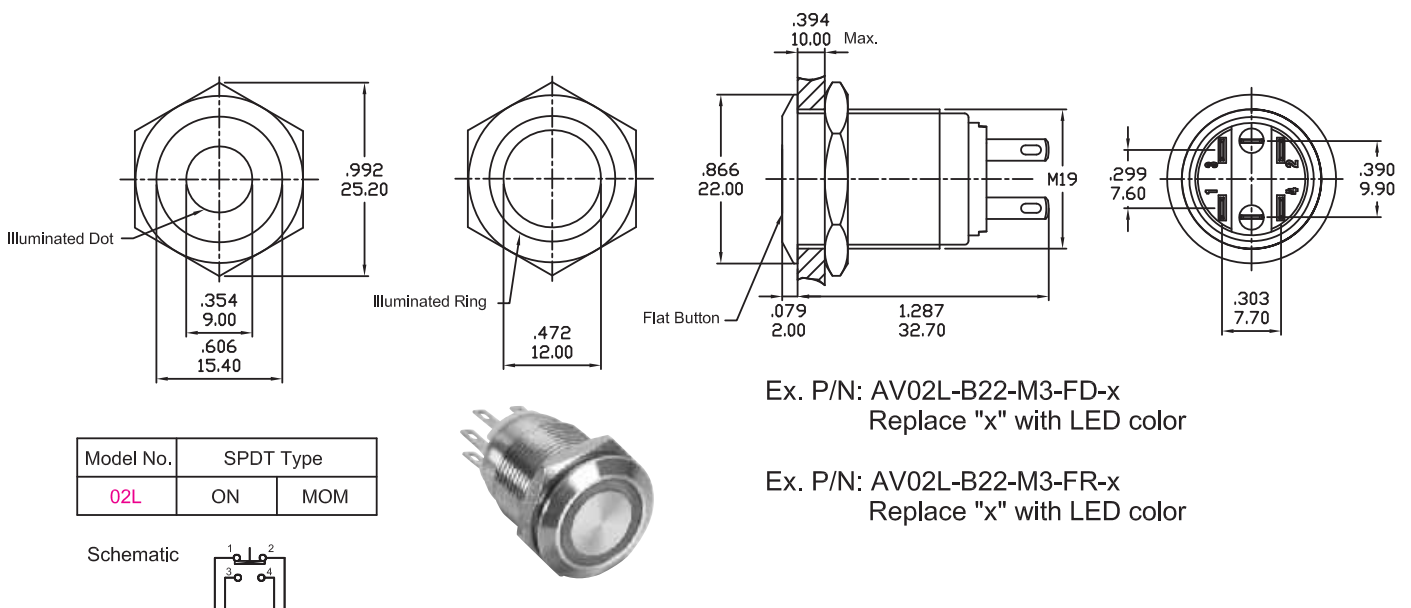
Illuminated Non-Latching & Latching $\varnothing 25\text{mm}$, Quick Connect



Illuminated Non-Latching & Latching $\varnothing 22\text{mm}$, Quick Connect



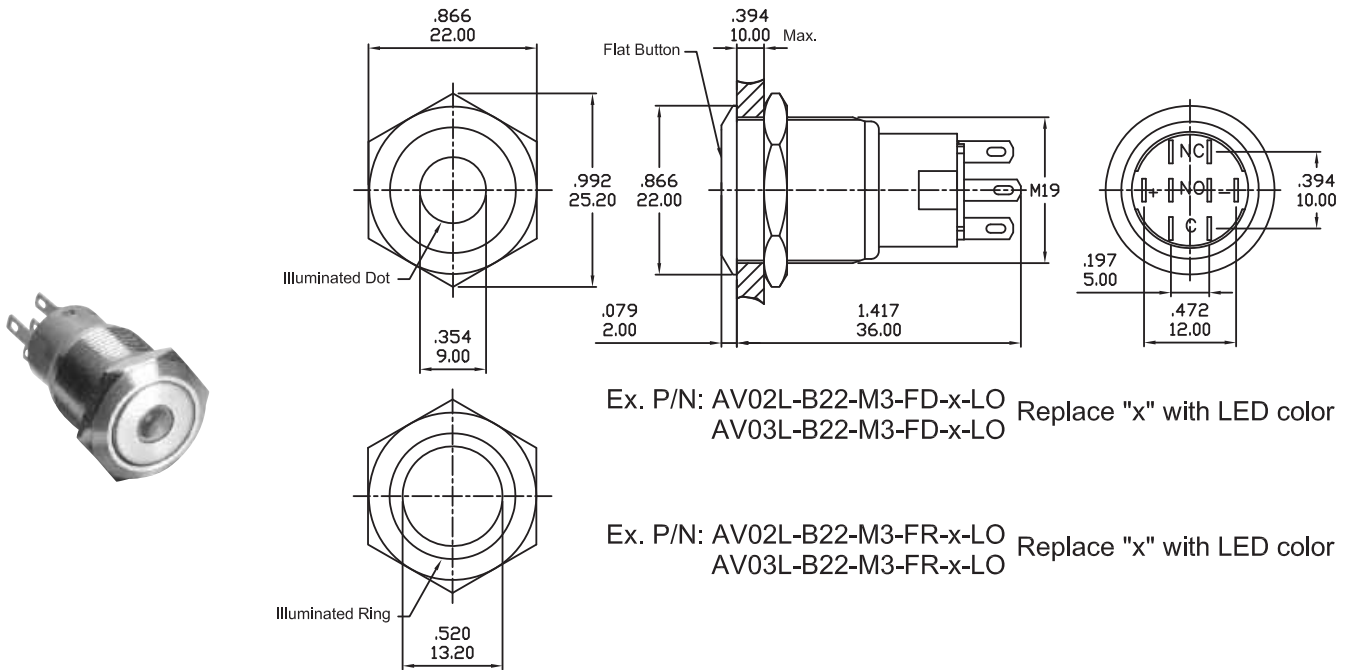
Illuminated Non-Latching $\varnothing 19\text{mm}$, Quick Connect



Series AV

Anti-Vandal Pushbutton Switches

Illuminated Non-Latching & Latching $\varnothing 19\text{mm}$, Quick Connect, Long Case



Ex. P/N: AV02L-B22-M3-FD-x-LO Replace "x" with LED color
 AV03L-B22-M3-FD-x-LO

Ex. P/N: AV02L-B22-M3-FR-x-LO Replace "x" with LED color
 AV03L-B22-M3-FR-x-LO

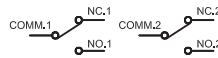
Model No.	SPDT Type	
02L	ON	MOM
03L	ON	ON

Schematic

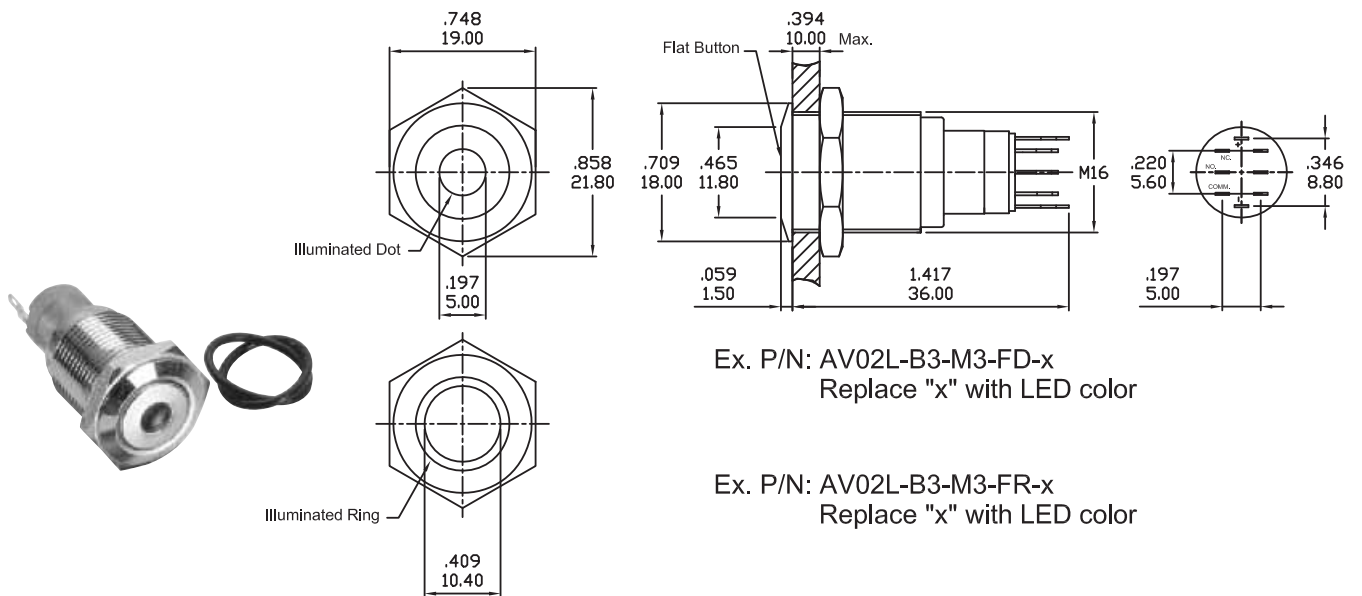


Model No.	DPDT Type	
12L	ON	MOM
13L	ON	ON

Schematic



Illuminated Non-Latching $\varnothing 16\text{mm}$, Quick Connect

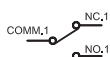


Ex. P/N: AV02L-B3-M3-FD-x
 Replace "x" with LED color

Ex. P/N: AV02L-B3-M3-FR-x
 Replace "x" with LED color

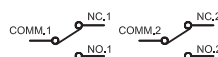
Model No.	SPDT Type	
02L	ON	MOM

Schematic



Model No.	DPDT Type	
12L	ON	MOM

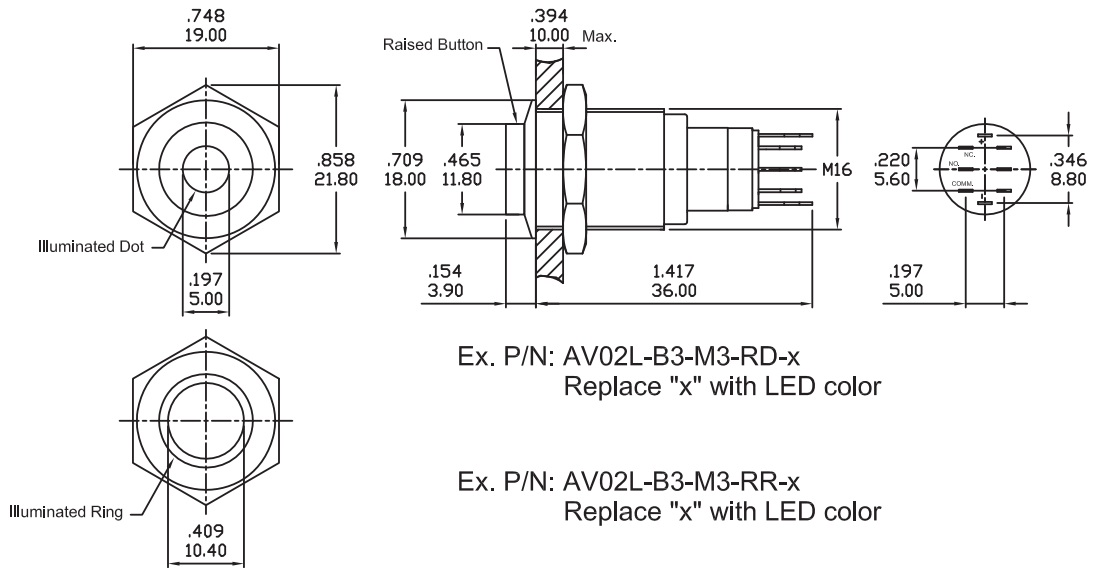
Schematic



Series AV

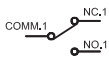
Anti-Vandal Pushbutton Switches

Illuminated Non-Latching \varnothing 16mm, Quick Connect



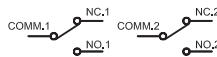
Model No.	SPDT Type	
02L	ON	MOM

Schematic

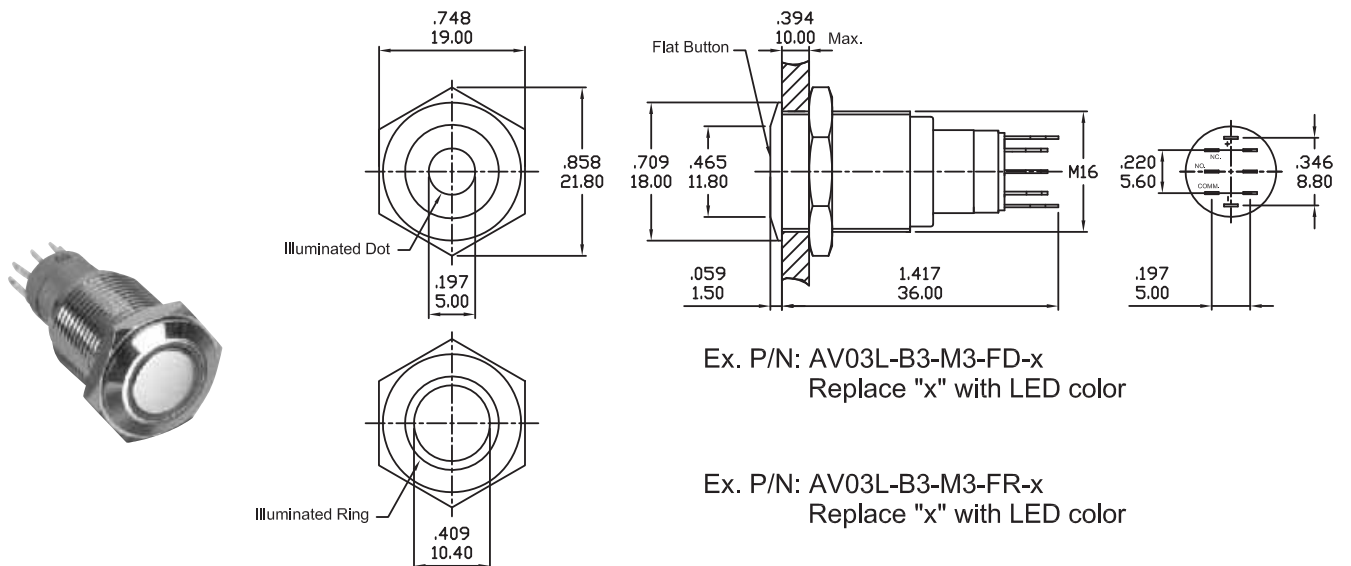


Model No.	DPDT Type	
12L	ON	MOM

Schematic

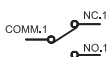


Illuminated Latching \varnothing 16mm, Quick Connect



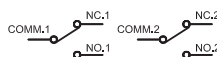
Model No.	SPDT Type	
03L	ON	ON

Schematic



Model No.	DPDT Type	
13L	ON	ON

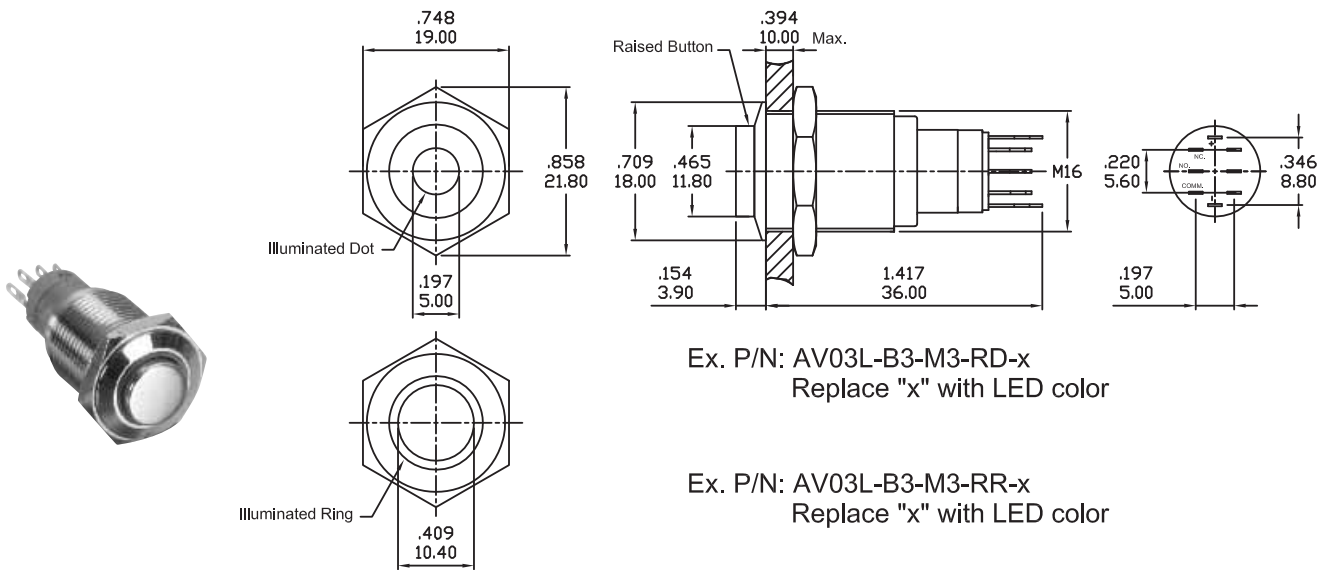
Schematic



Series AV

Anti-Vandal Pushbutton Switches

Illuminated Latching Ø16mm, Quick Connect



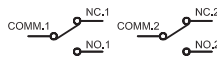
Model No.	SPDT Type	
03L	ON	ON

Schematic



Model No.	DPDT Type	
13L	ON	ON

Schematic



BUSHING & BUTTON MATERIAL OPTIONS

Code	Bushing Size	Bushing & Button Material	MOQ
B3	Ø16mm	Nickel plated brass with varnished polished	100 PCS
B31	Ø16mm	Gold plated brass with varnished polished	2,000 PCS
B02,B12,B22,B32	Ø25,22,19,16mm	Stainless steel with varnished polished	100 PCS
B23,B33	Ø16mm	Zinc alloy with black nickel plated	2,000 PCS

LED COLOR OPTIONS

Code	Button Color
R	Red
G	Green
Y	Yellow
O	Orange
B	Blue
W	White

OPTION CODE

Code	LED Voltage and Consumption
6V	6V (AC/DC Compatible) 15mA
12V	12V (AC/DC Compatible) 15mA
24V	24V (AC/DC Compatible) 15mA
36V	36V (AC/DC Compatible) 15mA
110V	110V (AC/DC Compatible) 5mA
220V	220V (AC/DC Compatible) 5mA

HOW TO ORDER

