

Series R18


Pushbutton Switches

SPECIFICATIONS:

PROOF VOLTAGE: 1,500 V AC.
 CONTACT RESISTANCE: 20m-ohms max.
 ELECTRICAL LIFE: 50,000 cycles min.
 MECHANICAL LIFE: 100,000 cycles min.

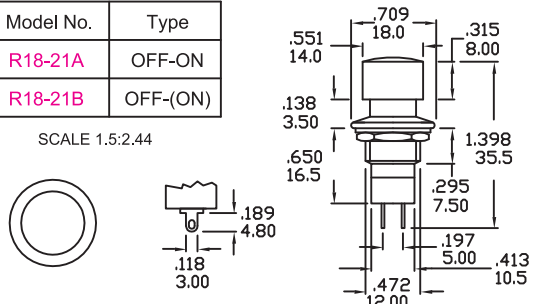
CIRCUITRY: S.P.S.T.
 CONTACT RATING: 1A 250VAC, 3A 125VAC.
 INSULATION RESISTANCE: 100M-ohms min.

Specifications and Dimensions subject to change




| Model No. | Type |
|-----------|----------|
| R18-21A | OFF-ON |
| R18-21B | OFF-(ON) |

SCALE 1.5:2.44

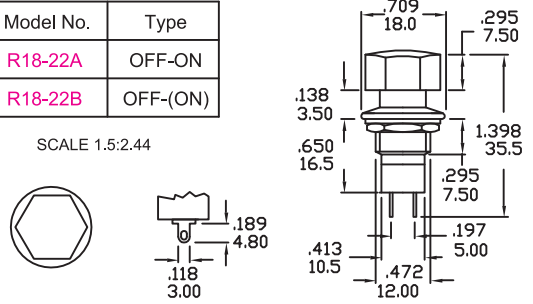


Dimensions: .551 14.0, .709 18.0, .315 8.0, .138 3.50, .650 16.5, .295 7.50, 1.398 35.5, .189 4.80, .118 3.00, .472 12.00, .197 5.00, .413 10.5




| Model No. | Type |
|-----------|----------|
| R18-22A | OFF-ON |
| R18-22B | OFF-(ON) |

SCALE 1.5:2.44

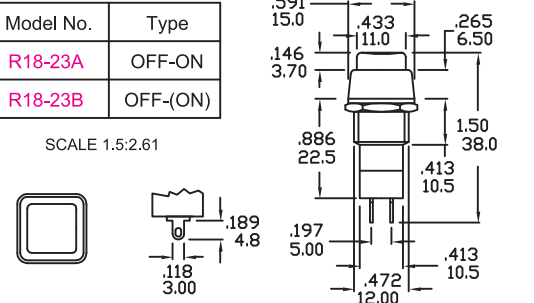


Dimensions: .709 18.0, .295 7.50, .138 3.50, .650 16.5, 1.398 35.5, .189 4.80, .118 3.00, .472 12.00, .197 5.00, .413 10.5




| Model No. | Type |
|-----------|----------|
| R18-23A | OFF-ON |
| R18-23B | OFF-(ON) |

SCALE 1.5:2.61

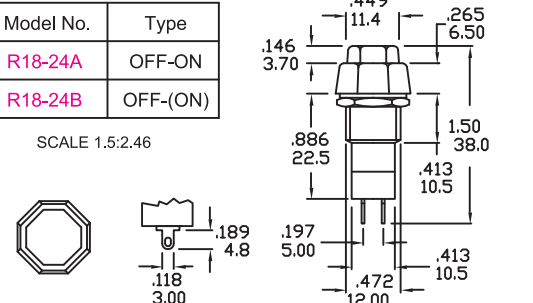


Dimensions: .591 15.0, .433 11.0, .265 6.50, .146 3.70, .886 22.5, 1.50 38.0, .189 4.80, .118 3.00, .472 12.00, .197 5.00, .413 10.5




| Model No. | Type |
|-----------|----------|
| R18-24A | OFF-ON |
| R18-24B | OFF-(ON) |

SCALE 1.5:2.46

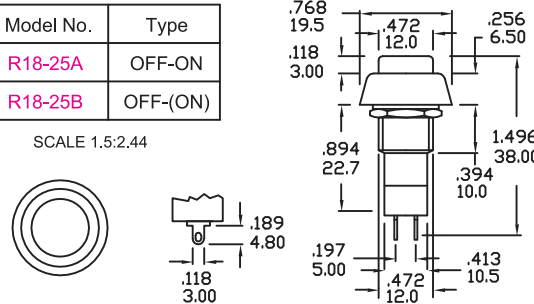


Dimensions: .449 11.4, .265 6.50, .146 3.70, .886 22.5, 1.50 38.0, .189 4.80, .118 3.00, .472 12.00, .197 5.00, .413 10.5




| Model No. | Type |
|-----------|----------|
| R18-25A | OFF-ON |
| R18-25B | OFF-(ON) |

SCALE 1.5:2.44

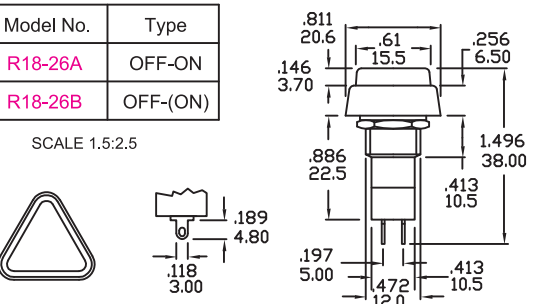


Dimensions: .768 19.5, .472 12.0, .256 6.50, .118 3.00, .894 22.7, 1.496 38.00, .394 10.0, .189 4.80, .118 3.00, .472 12.00, .197 5.00, .413 10.5




| Model No. | Type |
|-----------|----------|
| R18-26A | OFF-ON |
| R18-26B | OFF-(ON) |

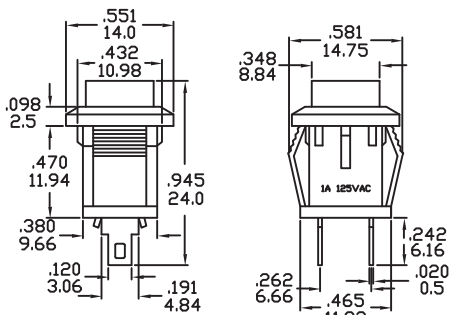
SCALE 1.5:2.5




Dimensions: .811 20.6, .61 15.5, .256 6.50, .146 3.70, .886 22.5, 1.496 38.00, .413 10.5, .189 4.80, .118 3.00, .472 12.00, .197 5.00, .413 10.5



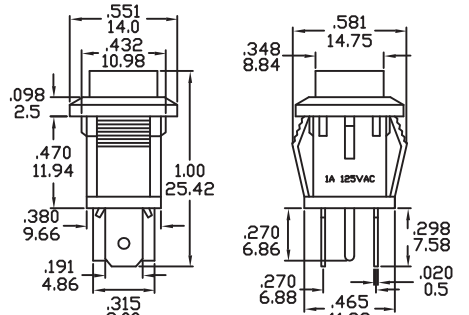
| Model No. | Type |
|-----------|----------|
| R18-27A | OFF-(ON) |
| R18-27B | ON-(OFF) |




Dimensions: .551 14.0, .432 10.98, .348 8.84, .581 14.75, .098 2.5, .470 11.94, .945 24.0, .380 9.66, .120 3.06, .191 4.84, .242 6.16, .020 0.5, .262 6.66, .465 11.82



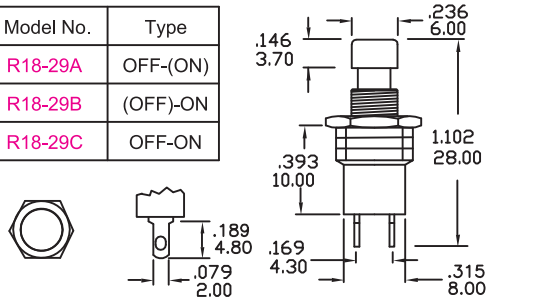
| Model No. | Type |
|-----------|----------|
| R18-28A | OFF-(ON) |




Dimensions: .551 14.0, .432 10.98, .348 8.84, .581 14.75, .098 2.5, .470 11.94, 1.00 25.42, .380 9.66, .191 4.86, .315 8.00, .270 6.86, .298 7.58, .020 0.5, .270 6.88, .465 11.82



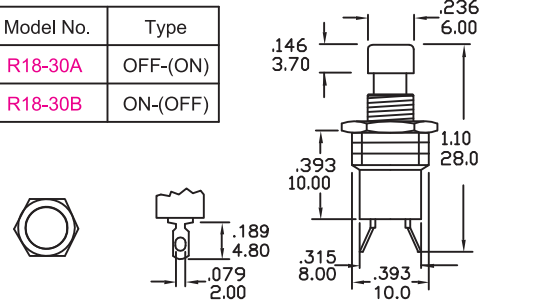
| Model No. | Type |
|-----------|----------|
| R18-29A | OFF-(ON) |
| R18-29B | (OFF)-ON |
| R18-29C | OFF-ON |



Dimensions: .236 6.00, .146 3.70, .393 10.00, 1.102 28.00, .189 4.80, .079 2.00, .169 4.30, .315 8.00



| Model No. | Type |
|-----------|----------|
| R18-30A | OFF-(ON) |
| R18-30B | ON-(OFF) |



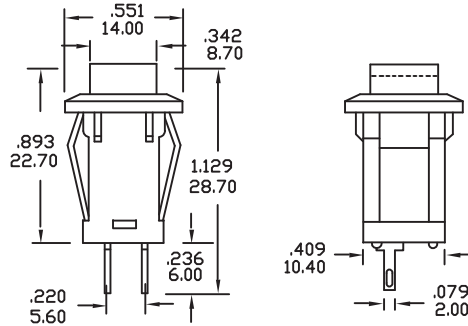
Dimensions: .236 6.00, .146 3.70, .393 10.00, 1.10 28.0, .189 4.80, .079 2.00, .315 8.00, .393 10.0

Series R18

Pushbutton Switches



| Model No. | Type |
|-----------|----------------|
| R18-32A | OFF-ON LOCK |



SPECIFICATIONS:

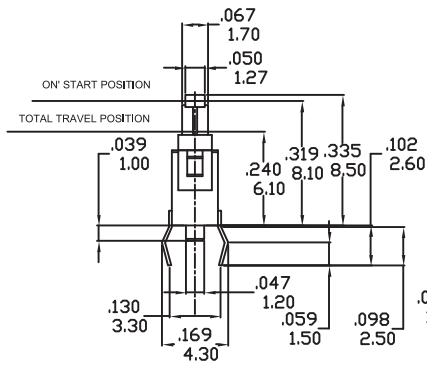
OPERATING TEMPERATURE: -10 to + 60°C
 RATING: 30V DC 0.1A.
 INSULATION RESISTANCE: 100V DC 1min 100M-ohms min.
 SOLDERING TEMPERATURE: 230°C 3sec.
 OPERATING LIFE: 50,000 cycles.

MATERIALS:

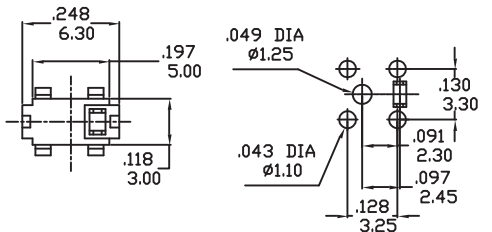
CASE: Nylon 6/6+GF 30%.
 Cover: Nylon 6/6+GF 30%.
 ACTUATOR: Acetal.
 TERMINAL: Brass.

Specifications and Dimensions subject to change

R18-20



P.C.B DIMENSION



SPECIFICATIONS:

CONTACT RATING: 25mA max. @ 50V AC or DC max.
 MECHANICAL LIFE: 50,000 actuations.
 CONTACT RESISTANCE: 20m-ohms max.
 INSULATION RESISTANCE: 100M-ohms min.
 DIELECTRIC STRENGTH: 1,000V RMS min. @ sea level.
 OPERATING TRMPERATURE: -30°C to +65°C.

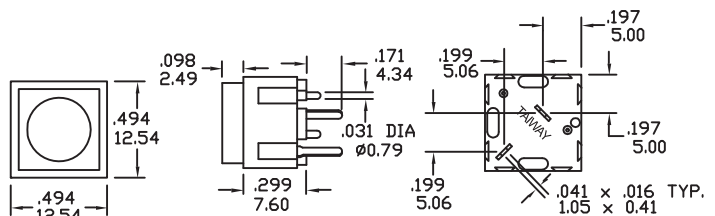
MATERIALS:

CASE: Glass filled nylon 6/6 or nylon 9T.
 BUTTON: ABS.
 SNAP DOME: Stainless steel.
 STATIONARY CONTACTS & TERMINAL: Copper alloy, silver plated.

Specifications and Dimensions subject to change



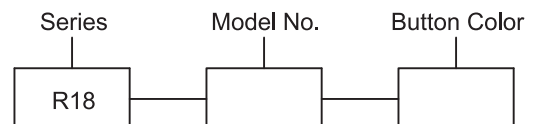
| Model No. | Type |
|-----------|---------|
| 801 | OFF-MOM |



BUTTON COLOR OPTIONS

| Color No. | Color | Color No. | Color |
|-----------|-----------|-----------|-------|
| 1 | White | 6 | Green |
| 2 | Black | 7 | Blue |
| 3 | Red(std.) | 8 | Brown |
| 4 | Orange | 9 | Gray |
| 5 | Yellow | | |

HOW TO ORDER



Series R18

Pushbutton Switches

SPECIFICATIONS:

RATING: DC 30V 0.1A 12V 0.3A.
 OPERATING FORCE: 150gm (std).
 CONTACT RESISTANCE: 50m-ohms max.
 INSULATION RESISTANCE: 100M-ohms @ 500VDC.
 DIELECTRIC STRENGTH: 250VAC for 1 min.

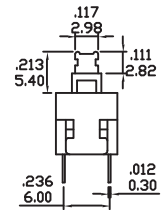
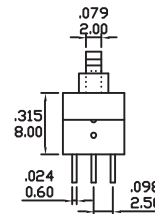
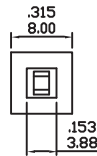
MATERIALS:

BOUNCE: 5m sec. max.
 LIFE CYCLES: 10,000 cycles.
 TEMPERATURE: -25°C to +65°C.
 AMBIENT HUMIDITY: 80% RH max.

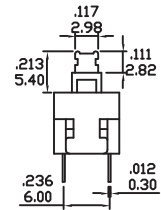
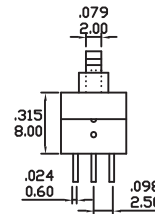
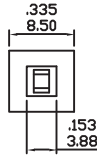
Specifications and Dimensions subject to change



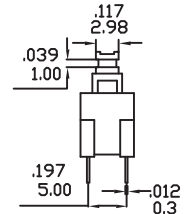
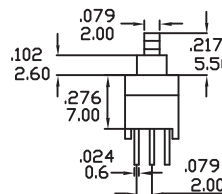
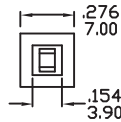
| Model No. | Type |
|-----------|---------|
| 807 | OFF-MOM |
| 809 | OFF-ON |



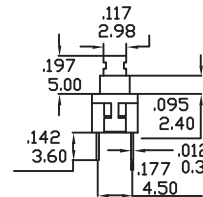
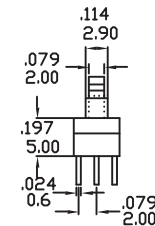
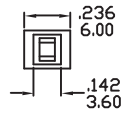
| Model No. | Type |
|-----------|---------|
| 807-1 | OFF-MOM |
| 809-1 | OFF-ON |



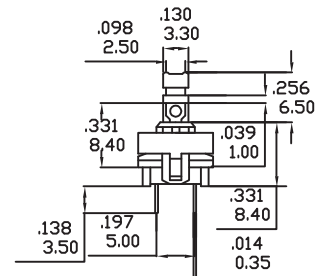
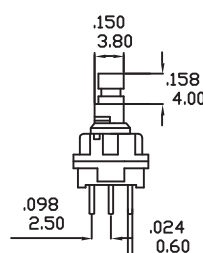
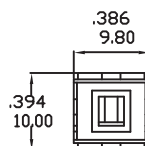
| Model No. | Type |
|-----------|---------|
| 807-2 | OFF-MOM |
| 809-2 | OFF-ON |



| Model No. | Type |
|-----------|---------|
| 807-3 | OFF-MOM |
| 809-3 | OFF-ON |



| Model No. | Type |
|-----------|---------|
| 810 | OFF-MOM |
| 811 | OFF-ON |

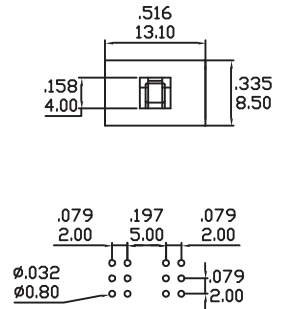
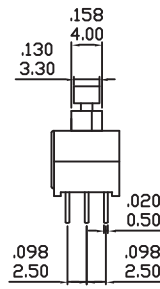
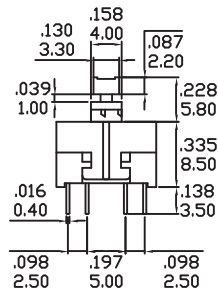


Series R18

Pushbutton Switches



| Model No. | Type |
|-----------|--------|
| 812 | ON-MOM |
| 813 | ON-ON |



P.C.MOUNTING

SPECIFICATIONS:

RATING: 3A 125VAC, 1A 250VAC.
 CONTACT RESISTANCE: 50m-ohms max.
 INSULATION RESISTANCE: DC 500V 100M-ohms min.
 DIELECTRIC STRENGTH: AC 1,500V 1 min.
 ELECTRICAL LIFE: 6,000 cycles at full load.
 MECHANICAL LIFE: 200,000 (min).
 OPERATING TEMPERATURE: -30°C to + 65°C.

MATERIALS:

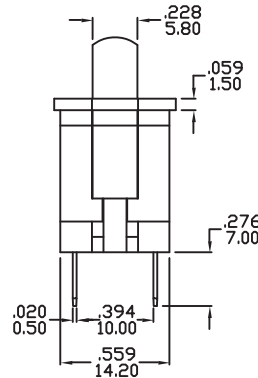
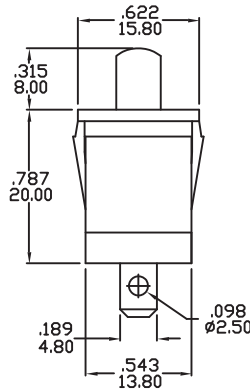
HOUSING: Nylon 6/6.
 PUSHBUTTON: Nylon 6/6.
 TERMINALS: Brass, silver plated.

Specifications and Dimensions subject to change

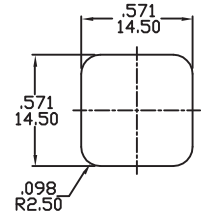
R18-504



| Model No. | Type |
|-----------|----------|
| R18-504 | OFF-(ON) |



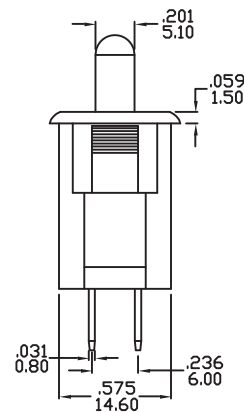
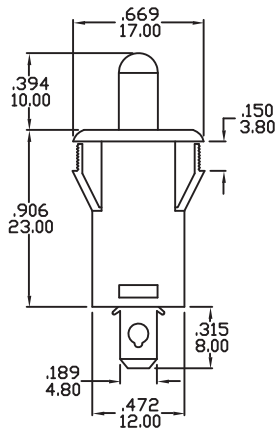
P.C.MOUNTING



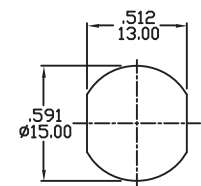
R18-505



| Model No. | Type |
|-----------|----------|
| R18-505 | OFF-(ON) |



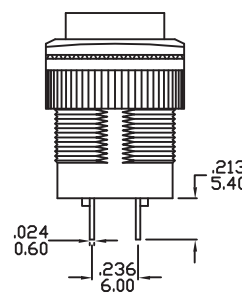
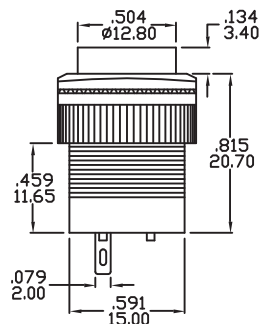
P.C.MOUNTING



R18-508



| Model No. | Type |
|-----------|----------------------|
| R18-508A | OFF-ON |
| R18-508B | OFF-(ON) |
| R18-508C | OFF-ON ILLUMINATED |
| R18-508D | OFF-(ON) ILLUMINATED |



P.C.MOUNTING

