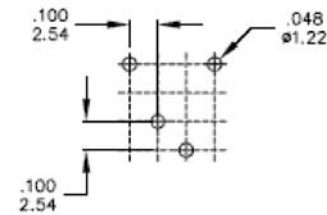
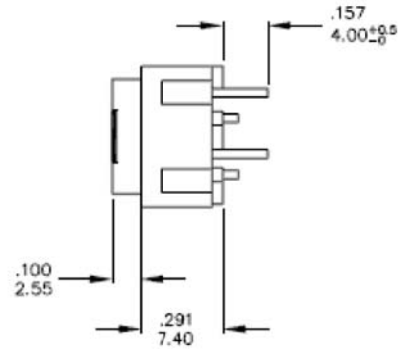
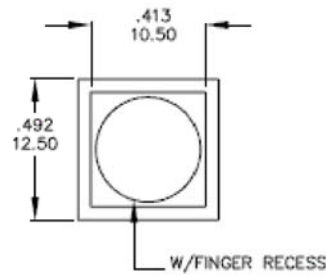


REV. 更改	DESCRIPTION 說明	ENG. 修改人	APPROVE 審核



P.C. MOUNTING

SPECIFICATIONS:

- Contact Rating: 25mA @ 50VDC.
- Electrical Life: 1,000,000 cycles.
- Contact Resistance: 10m-ohms max (initial).
- Insulation Resistance: 100M-ohms min @ 500VDC.
- Dielectric Strength: 500V RMS 50~60Hz.
- Operating Temperature: -35°C ~ +85°C.
- Switching Circuit: OFF-MOM.
- Operating Force: 180±50gf.

"x"	Button Color
1	White
2	Black
3	Red
4	Orange
5	Yellow
6	Green
7	Blue
8	Brown
9	Gray
0	Purple

MATERIALS:

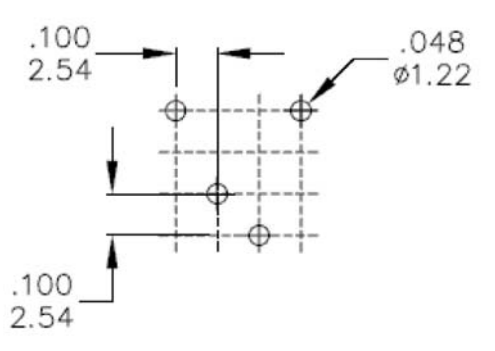
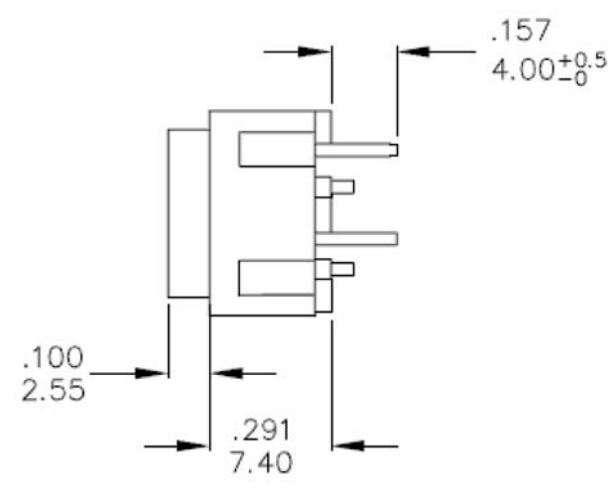
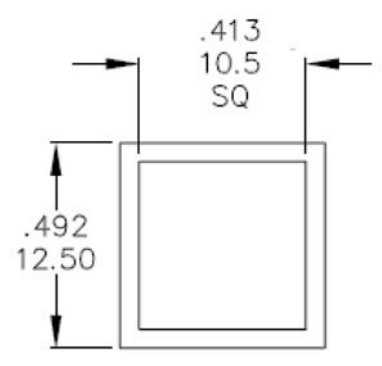
- Housing: PA66.
- Button: ABS or PC.
- Dome: Gold over stainless steel.
- Terminal: Silver plated copper alloy.

ITEM NO. 料號	R18-801-x
----------------	-----------

THESE DRAWINGS AND SPECIFICATIONS ARE THE PROPERTY OF TAIWAY ELECTRONICS LTD. AND SHALL NOT BE REPRODUCED COPIED OR USED IN ANY MANNER WITHOUT THE PRIOR WRITTEN CONSENT OF TAIWAY ELECTRONICS LTD.	
DIMENSIONS	TOLERANCE
0.00 TO 30.00mm	±0.20mm
30.01 TO 80.00mm	±0.25mm
80.01 TO 150.00mm	±0.30mm
150.01 TO 300.00mm	±0.40mm

泰瑋電子有限公司 TAIWAY ELECTRONICS COMPONENTS CO.,LTD.			
USED 用途	R18	APPD. 審核	Amy 2003/07/02
FINISH 處理		CHKD. 校對	Amy 2003/07/02
SCALE 比例	3 / 2	UNIT 單位	in(mm)
TITLE 名稱	Pushbutton Switch		DR. 製圖
DWG NO. 圖號	R18-801-x		SIZE 圖紙
FILE NAME 檔案名稱	R18-801-x.DWG	SHEET 張	1 / 1
		REV. 更改	1

REV. 更改	DESCRIPTION 說明	ENG. 修改人	APPROVE 審核
------------	-------------------	-------------	---------------



"x"	Button Color
1	White
2	Black
3	Red
4	Orange
5	Yellow
6	Green
7	Blue
8	Brown
9	Gray
0	Purple

SPECIFICATIONS:

- Contact Rating: 25mA @ 50VDC.
- Electrical Life: 1,000,000 cycles.
- Contact Resistance: 10m-ohms max (initial).
- Insulation Resistance: 100M-ohms min @ 500VDC.
- Dielectric Strength: 500V RMS 50~60Hz.
- Operating Temperature: -35°C ~ +85°C.
- Switching Circuit: OFF-MOM.
- Operating Force: 180±50gf.

MATERIALS:

- Housing: PA66.
- Button: ABS or PC.
- Dome: Gold over stainless steel.
- Terminal: Silver plated copper alloy.

ITEM NO. 料號	R18-801A-x
----------------	------------

THESE DRAWINGS AND SPECIFICATIONS ARE THE PROPERTY OF TAIWAY ELECTRONICS LTD. AND SHALL NOT BE REPRODUCED, COPIED OR USED IN ANY MANNER WITHOUT THE PRIOR WRITTEN CONSENT OF TAIWAY ELECTRONICS LTD.

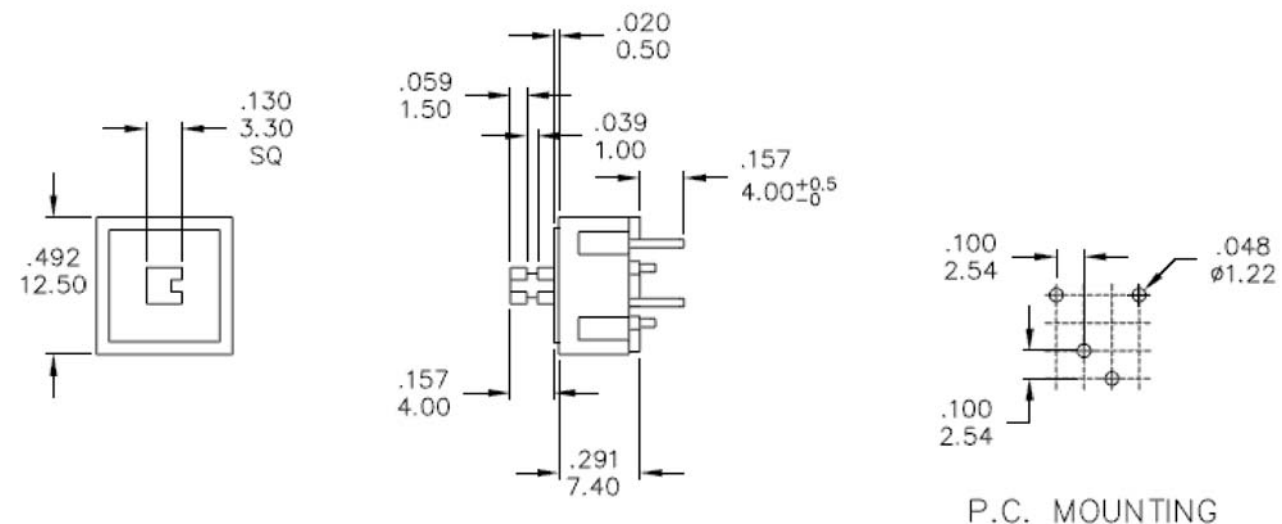
UNLESS OTHERWISE SPECIFIED DIMENSIONS ARE IN MILLIMETERS ANGULAR TOLERANCE: ±1.0°

DIMENSIONS	TOLERANCE
0.00 TO 30.00mm	±0.20mm
30.01 TO 80.00mm	±0.25mm
80.01 TO 150.00mm	±0.30mm
150.01	±0.40mm

泰瑋電子有限公司
TAIWAY ELECTRONICS COMPONENTS CO.,LTD.

USED 用途	R18	APPD. 審核	Amy 2003/07/02
FINISH 處理		CHKD. 校對	Amy 2003/07/02
SCALE 比例	2 / 1	UNIT 單位	in(mm)
		DR. 製圖	Amy 2003/07/02
TITLE 名稱	Pushbutton Switch		
DWG NO. 圖號	R18-801A-x		SIZE 圖紙
FILE NAME 檔案名稱	R18-801A-x.DWG	SHEET 張	1 / 1
		REV. 更改	1

REV. 更改	DESCRIPTION 說明	ENG. 修改人	APPROVE 審核
------------	-------------------	-------------	---------------



SPECIFICATIONS:

- Contact Rating: 25mA @ 50VDC.
- Electrical Life: 1,000,000 cycles.
- Contact Resistance: 10m-ohms max (initial).
- Insulation Resistance: 100M-ohms min @ 500VDC.
- Dielectric Strength: 500V RMS 50~60Hz.
- Operating Temperature: -35°C ~ +85°C.
- Switching Circuit: OFF-MOM.
- Operating Force: 180±50gf.

"x"	Button Color
1	White
2	Black
3	Red
4	Orange
5	Yellow
6	Green
7	Blue
8	Brown
9	Gray
0	Purple

MATERIALS:

- Housing: PA66.
- Button: ABS or PC.
- Dome: Gold over stainless steel.
- Terminal: Silver plated copper alloy.

ITEM NO. 料號	R18-801B-x
----------------	------------

THESE DRAWINGS AND SPECIFICATIONS ARE THE PROPERTY OF TAIWAY ELECTRONICS LTD. AND SHALL NOT BE REPRODUCED COPIED OR USED IN ANY MANNER WITHOUT THE PRIOR WRITTEN CONSENT OF TAIWAY ELECTRONICS LTD.

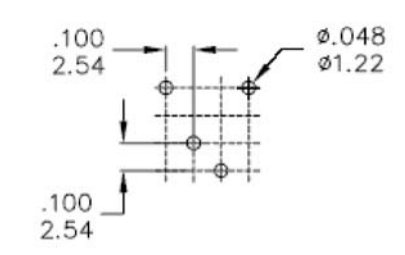
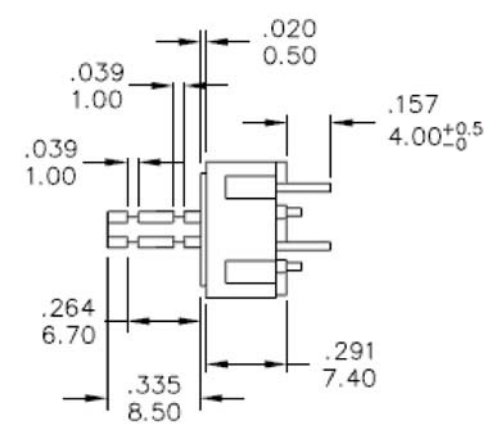
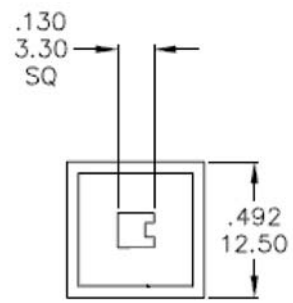
UNLESS OTHERWISE SPECIFIED DIMENSIONS ARE IN MILLIMETERS ANGULAR TOLERANCE: ±1.0°

DIMENSIONS	TOLERANCE
0.00 TO 30.00mm	±0.20mm
30.01 TO 80.00mm	±0.25mm
80.01 TO 150.00mm	±0.30mm
150.01 TO 300.00mm	±0.40mm

泰瑋電子有限公司
TAIWAY ELECTRONICS COMPONENTS CO.,LTD.

USED 用途	R18	APPD. 審核	Amy 2008/07/10
FINISH 處理		CHKD. 校對	Amy 2008/07/10
SCALE 比例	3 / 2	UNIT 單位	in(mm)
		DR. 製圖	Amy 2008/07/10
TITLE 名稱	Pushbutton Switch		
DWG NO. 圖號	R18-801B-x		SIZE 圖紙
FILE NAME 檔案名稱	R18-801B-x.DWG	SHEET 張	1 / 1
		REV. 更改	1

REV. 更改	DESCRIPTION 說明	ENG. 修改人	APPROVE 審核
------------	-------------------	-------------	---------------



P.C. MOUNTING

SPECIFICATIONS:

- 1.Contact Rating: 25mA @ 50VDC.
- 2.Electrical Life: 1,000,000 cycles.
- 3.Contact Resistance: 10m-ohms max (initial).
- 4.Insulation Resistance: 100M-ohms min @ 500VDC.
- 5.Dielectric Strength: 500V RMS 50~60Hz.
- 6.Operating Temperature: -35°C ~ +85°C.
- 7.Switching Circuit: OFF-MOM.
- 8.Operating Force: 180±50gf.

"x"	Button Color
1	White
2	Black
3	Red
4	Orange
5	Yellow
6	Green
7	Blue
8	Brown
9	Gray
0	Purple

MATERIALS:

- 1.Housing: PA66.
- 2.Button: ABS or PC.
- 3.Dome: Gold over stainless steel.
- 4.Terminal: Silver plated copper alloy.

ITEM NO. 料號	R18-801C-x
----------------	------------

THESE DRAWINGS AND SPECIFICATIONS ARE THE PROPERTY OF TAIWAY ELECTRONICS LTD. AND SHALL NOT BE REPRODUCED COPIED OR USED IN ANY MANNER WITHOUT THE PRIOR WRITTEN CONSENT OF TAIWAY ELECTRONICS LTD.

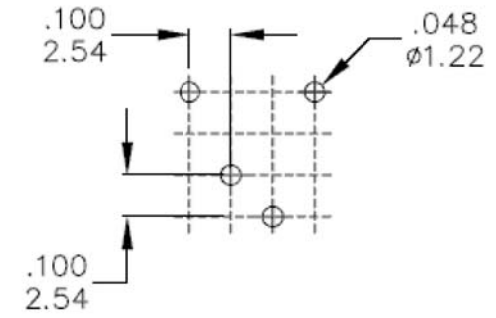
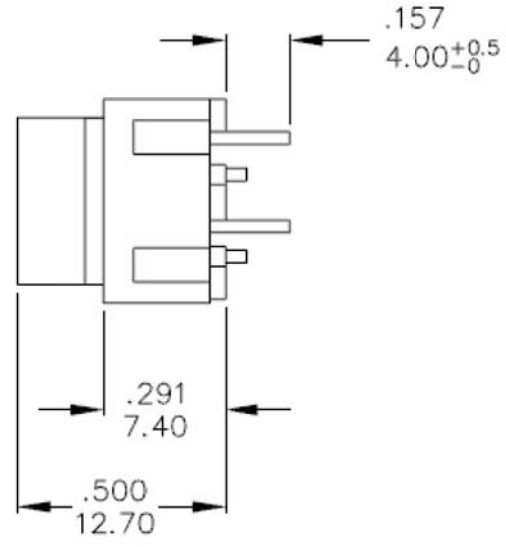
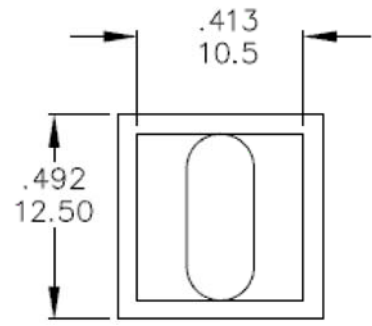
UNLESS OTHERWISE SPECIFIED DIMENSIONS ARE IN MILLIMETERS ANGULAR TOLERANCE: ±1.0°

DIMENSIONS	TOLERANCE
0.00 TO 30.00mm	±0.20mm
30.01 TO 80.00mm	±0.25mm
80.01 TO 150.00mm	±0.30mm
150.01	±0.40mm

泰瑋電子有限公司
TAIWAY ELECTRONICS COMPONENTS CO.,LTD.

USED 用途	R18	APPD. 審核	Amy 2008/07/10
FINISH 處理		CHKD. 校對	Amy 2008/07/10
SCALE 比例	3 / 2	UNIT 單位	in(mm)
DR. 製圖		Amy 2008/07/10	
TITLE 名稱		Pushbutton Switch	
DWG NO. 圖號		R18-801C-x	
FILE NAME 檔案名稱		R18-801C-x.DWG	
SHEET 張	1 / 1	REV. 更改	1

REV. 更改	DESCRIPTION 說明	ENG. 修改人	APPROVE 審核
------------	-------------------	-------------	---------------



P.C. MOUNTING

SPECIFICATIONS:

- Contact Rating: 25mA @ 50VDC.
- Electrical Life: 1,000,000 cycles.
- Contact Resistance: 10m-ohms max (initial).
- Insulation Resistance: 100M-ohms min @ 500VDC.
- Dielectric Strength: 500V RMS 50~60Hz.
- Operating Temperature: -35°C ~ +85°C.
- Switching Circuit: OFF-MOM.
- Operating Force: 180±50gf.

"x"	Button Color
1	White
2	Black
3	Red
4	Orange
5	Yellow
6	Green
7	Blue
8	Brown
9	Gray
0	Purple

MATERIALS:

- Housing: PA66.
- Button: ABS or PC.
- Dome: Gold over stainless steel.
- Terminal: Silver plated copper alloy.

ITEM NO. 料號	R18-801D-x
----------------	------------

THESE DRAWINGS AND SPECIFICATIONS ARE THE PROPERTY OF TAIWAY ELECTRONICS LTD. AND SHALL NOT BE REPRODUCED COPIED OR USED IN ANY MANNER WITHOUT THE PRIOR WRITTEN CONSENT OF TAIWAY ELECTRONICS LTD.

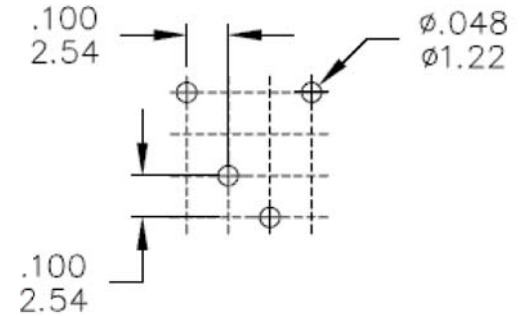
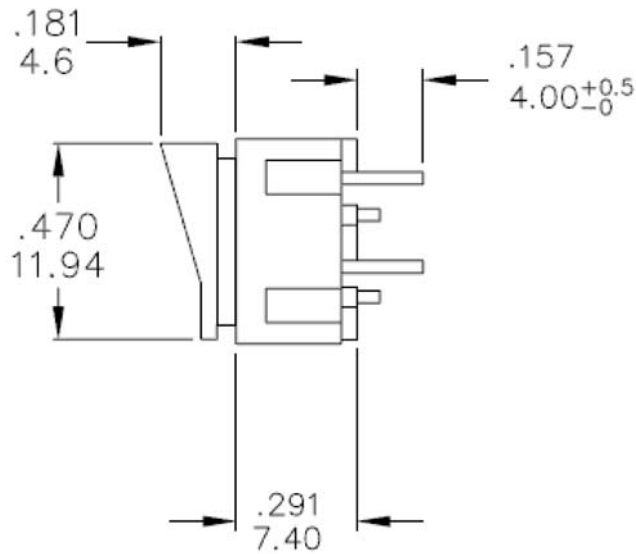
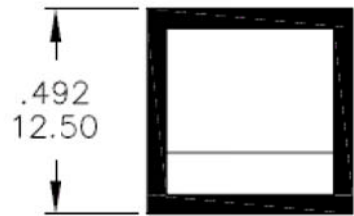
UNLESS OTHERWISE SPECIFIED DIMENSIONS ARE IN MILLIMETERS ANGULAR TOLERANCE: ±1.0°

DIMENSIONS	TOLERANCE
0.00 TO 30.00mm	±0.20mm
30.01 TO 80.00mm	±0.25mm
80.01 TO 150.00mm	±0.30mm
150.01	±0.40mm

泰瑋電子有限公司
TAIWAY ELECTRONICS COMPONENTS CO.,LTD.

USED 用途	R18	APPD. 審核	Amy 2005/01/05
FINISH 處理		CHKD. 校對	Amy 2005/01/05
SCALE 比例	2 / 1	DR. 製圖	Amy 2005/01/05
UNIT 單位	in(mm)		
TITLE 名稱	Pushbutton Switch		
DWG NO. 圖號	R18-801D-x		SIZE 圖紙
FILE NAME 檔案名稱	R18-801D-x.DWG	SHEET 張	1 / 1
REV. 更改		REV. 更改	1

REV. 更改	DESCRIPTION 說明	ENG. 修改人	APPROVE 審核



P.C. MOUNTING

SPECIFICATIONS:

- Contact Rating: 25mA @ 50VDC.
- Electrical Life: 1,000,000 cycles.
- Contact Resistance: 10m-ohms max (initial).
- Insulation Resistance: 100M-ohms min @ 500VDC.
- Dielectric Strength: 500V RMS 50~60Hz.
- Operating Temperature: -35°C ~ +85°C.
- Switching Circuit: OFF-MOM.
- Operating Force: 180±50gf.

"x"	Button Color
1	White
2	Black
3	Red
4	Orange
5	Yellow
6	Green
7	Blue
8	Brown
9	Gray
0	Purple

MATERIALS:

- Housing: PA66.
- Button: ABS or PC.
- Dome: Gold over stainless steel.
- Terminal: Silver plated copper alloy.

ITEM NO. 料號	R18-801E-x
----------------	------------

THESE DRAWINGS AND SPECIFICATIONS ARE THE PROPERTY OF TAIWAY ELECTRONICS LTD. AND SHALL NOT BE REPRODUCED COPIED OR USED IN ANY MANNER WITHOUT THE PRIOR WRITTEN CONSENT OF TAIWAY ELECTRONICS LTD.

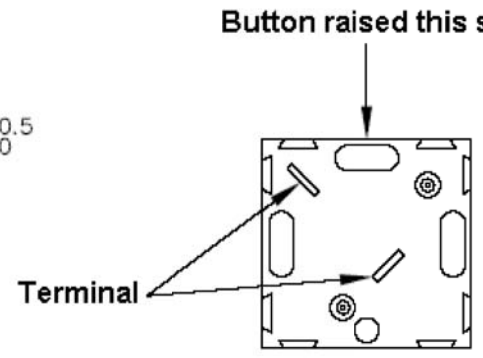
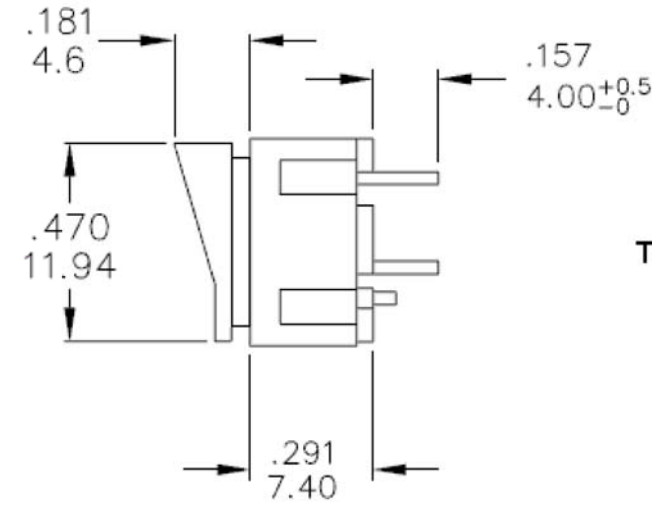
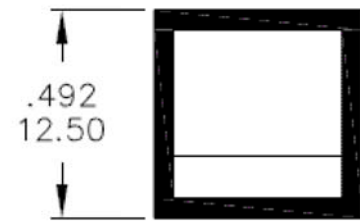
DIMENSIONS	TOLERANCE
0.00 TO 30.00mm	±0.20mm
30.01 TO 80.00mm	±0.25mm
80.01 TO 150.00mm	±0.30mm
150.01	±0.40mm

UNLESS OTHERWISE SPECIFIED DIMENSIONS ARE IN MILLIMETERS ANGULAR TOLERANCE: ±1.0°

泰瑋電子有限公司
TAIWAY ELECTRONICS COMPONENTS CO.,LTD.

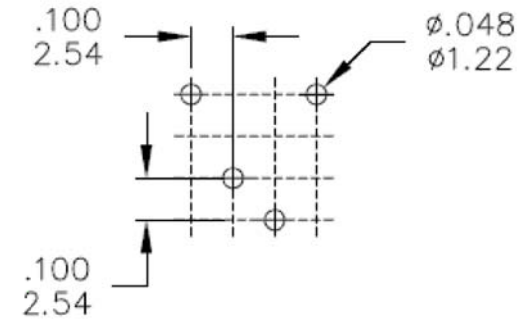
USED 用途	R18	APPD. 審核	Amy 2008/07/10
FINISH 處理		CHKD. 校對	Amy 2008/07/10
SCALE 比例	2 / 1	UNIT 單位	in(mm)
		DR. 製圖	Amy 2008/07/10
TITLE 名稱	Pushbutton Switch		
DWG NO. 圖號	R18-801E-x		SIZE 圖紙
			A4
FILE NAME 檔案名稱	R18-801E-x.DWG	SHEET 張	1 / 1
		REV. 更改	1

REV. 更改	DESCRIPTION 說明	ENG. 修改人	APPROVE 審核
------------	-------------------	-------------	---------------



Bottom view of switch base

P.C. MOUNTING



SPECIFICATIONS:

- Contact Rating: 25mA @ 50VDC.
- Electrical Life: 1,000,000 cycles.
- Contact Resistance: 10m-ohms max (initial).
- Insulation Resistance: 100M-ohms min @ 500VDC.
- Dielectric Strength: 500V RMS 50~60Hz.
- Operating Temperature: -35°C ~ +85°C.
- Switching Circuit: OFF-MOM.
- Operating Force: 180±50gf.

"x"	Button Color
1	White
2	Black
3	Red
4	Orange
5	Yellow
6	Green
7	Blue
8	Brown
9	Gray
0	Purple

MATERIALS:

- Housing: PA66.
- Button: ABS or PC.
- Dome: Gold over stainless steel.
- Terminal: Silver plated copper alloy.

ITEM NO. 料號	R18-801ER-x
----------------	-------------

THESE DRAWINGS AND SPECIFICATIONS ARE THE PROPERTY OF TAIWAY ELECTRONICS LTD. AND SHALL NOT BE REPRODUCED COPIED OR USED IN ANY MANNER WITHOUT THE PRIOR WRITTEN CONSENT OF TAIWAY ELECTRONICS LTD.		泰瑋電子有限公司 TAIWAY ELECTRONICS COMPONENTS CO.,LTD.	
UNLESS OTHERWISE SPECIFIED DIMENSIONS ARE IN MILLIMETERS ANGULAR TOLERANCE: ±1.0°		USED 用途 R18	APPD. 審核 Amy 2010/03/05
FINISH 處理		SCALE 比例 2 / 1	CHKD. 校對 Amy 2010/03/05
DR. 製圖 Amy 2010/03/05		TITLE 名稱 Pushbutton Switch	UNIT 單位 in(mm)
DIMENSIONS TOLERANCE		DWG NO. 圖號 R18-801ER-x	SIZE 圖紙 A4
MATERIAL		FILE NAME 檔案名稱 R18-801ER-x.DWG	SHEET 張 1 / 1
		REV. 更改 1	