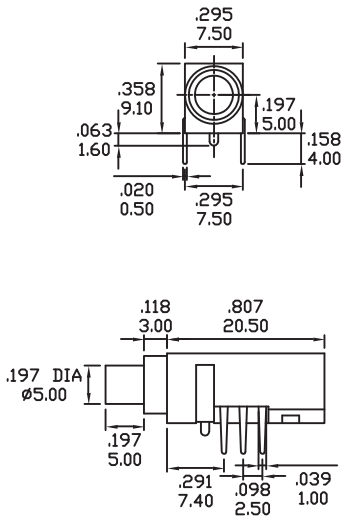


SPECIFICATIONS:

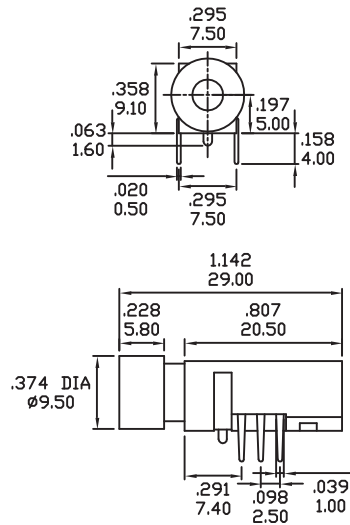
RATING: 50V DC 200mA max.
 CONTACT RESISTANCE: <30m-ohms.
 INSULATION RESISTANCE: >100M-ohms DC 500V.
 OPERATING FORCE: 1010gf~200gf.
 AMBIENT TEMPERATURE: -20°C to +70°C.
 ELECTRICAL LIFE: 100,000 cycles.

Specifications and Dimensions subject to change

LS-A



LS-S



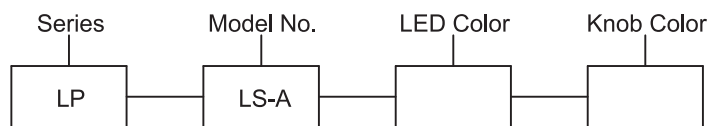
LED COLORS

Code	LED Color
R	Red
G	Green
Y	Yellow
B	Blue

KNOB COLORS

Code	LED Color
B	Black

HOW TO ORDER



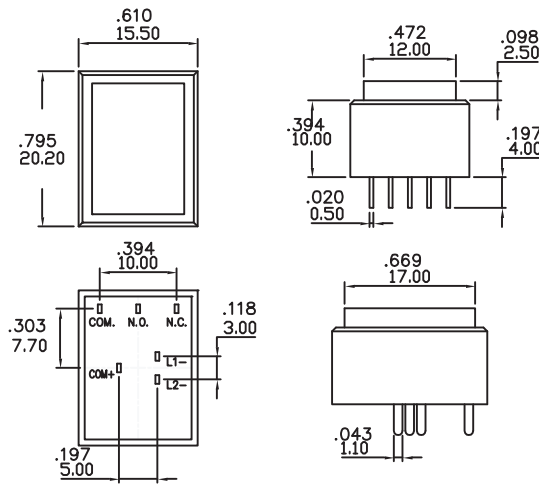
SPECIFICATIONS:

CONTACT: Silver contact (Gold plated).
 ELECTRICAL RATING: AC125, 250V 1A @ resistive load).
 INSULATION RESISTANCE: More than 100M-ohms at DC 500V.
 DIELECTRIC STRENGTH:
 a. 500V RMS(50/60Hz) between terminals.
 b. 1,000V RMS(50/60Hz) between terminals and ground for one minute.
 CONTACT RESISTANCE: Less than 30m-ohms initial @ 1A and 6VDC.
 MECHANICAL LIFE:
 a. MOMENTARY ACTION: More than 300,000 operations.
 b. ALTERNATE ACTION: More than 100,000 operations.
 ELECTRICAL LIFE: Over 30,000 operations max.
 OPERATING TEMPERATURE: -15°C~ +50°C.
 AMBIENT HUMIDITY: 80% RH max.

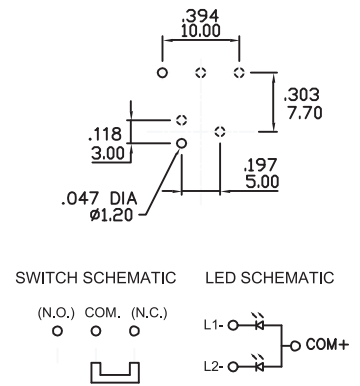
Specifications and Dimensions subject to change

WPL-25

Model No.	LED COLOR
WPL-25R	Red
WPL-25G	Green
WPL-25RG	Red / Green

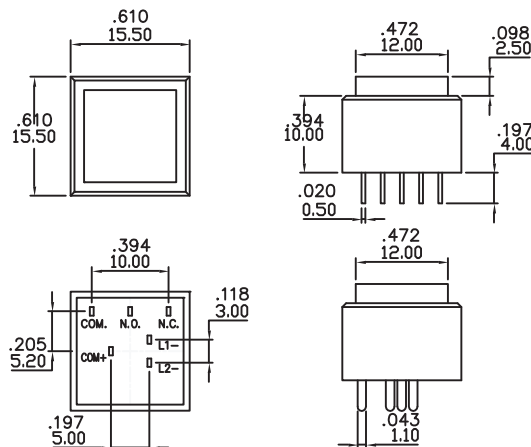


P.C.B. LAYOUT

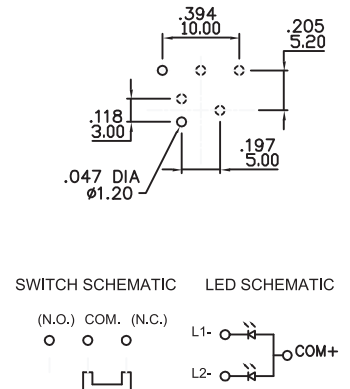


WPL-26

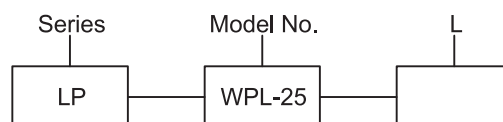
Model No.	LED COLOR
WPL-26R	Red
WPL-26G	Green
WPL-26RG	Red / Green



P.C.B. LAYOUT



HOW TO ORDER



Series LP

Illuminated Pushbutton Switches

SPECIFICATIONS:

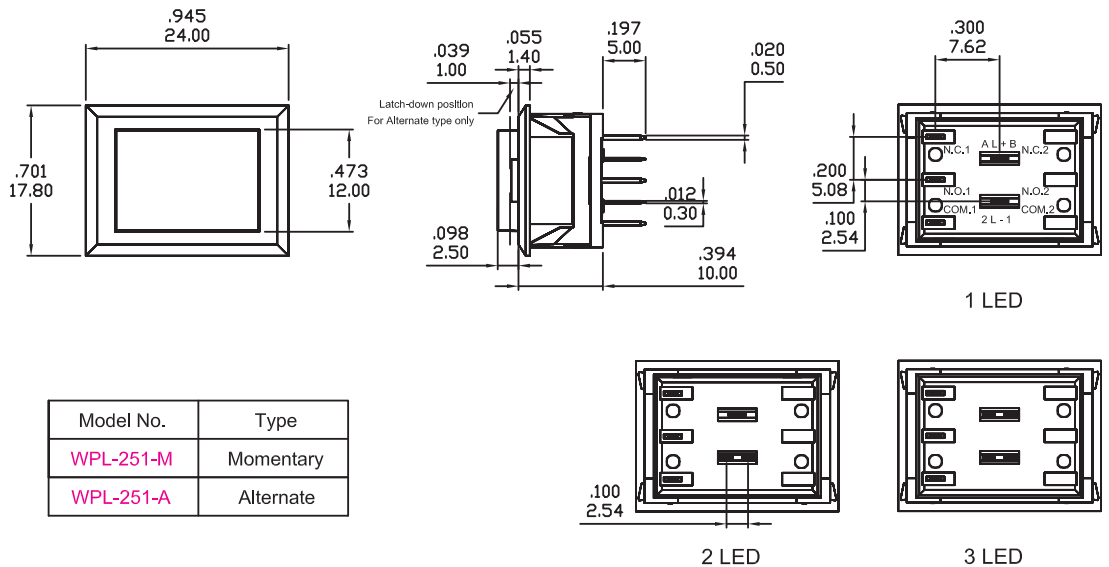
CONTACT RATING: 5A 125/250VAC.
 ELECTRICAL LIFE: 100,000 cycles with resistive load 3A 125VAC.
 CONTACT RESISTANCE: 50m-ohms max (initial).
 INSULATION RESISTANCE: 500VDC 200M-ohms min.
 DIELECTRIC STRENGTH: 1,000V RMS 50~60Hz.
 OPERATING TEMPERATURE: -25°C ~ +50°C.
 OPERATING FORCE: 190±50gf max. (SPDT).
 250±50gf max. (DPDT Square)
 & 300±50gf max. (DPDT Rectangular).
 TOTAL TRAVEL: 2.30±0.50mm.
 SOLDERING: 360°C for 4sec. (Manual)
 260°C for 3sec. (Wave).

MATERIALS:

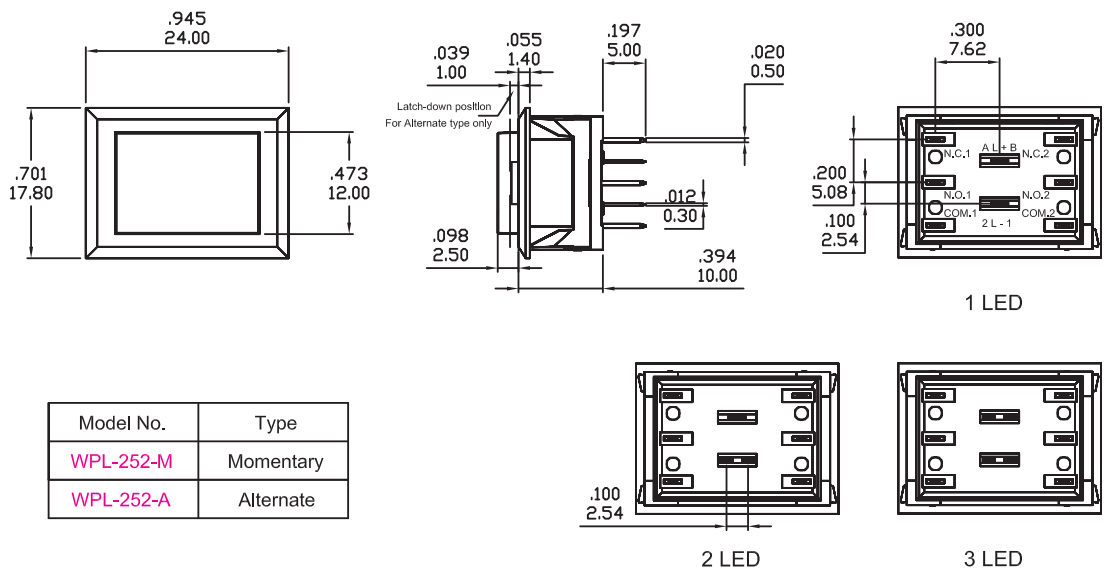
SNAP-IN FRAME: Stainless steel.
 HOUSING: PA.
 BASE: PA.
 CONTACT: Silver alloy.
 SPRING: Piano wire.
 LED TERMINAL: PBS with Au plated.
 TERMINAL: PBS with Au plated.
 LED: Surface type LED.

Specifications and Dimensions subject to change

Rectangular Snap-in Style, SPDT, Solder lug



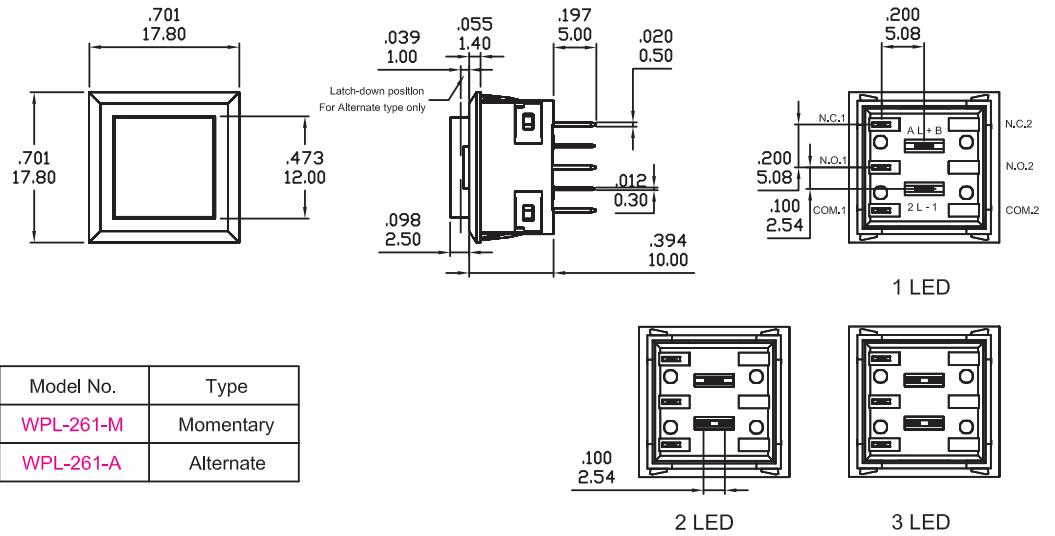
Rectangular Snap-in Style, DPDT, Solder lug



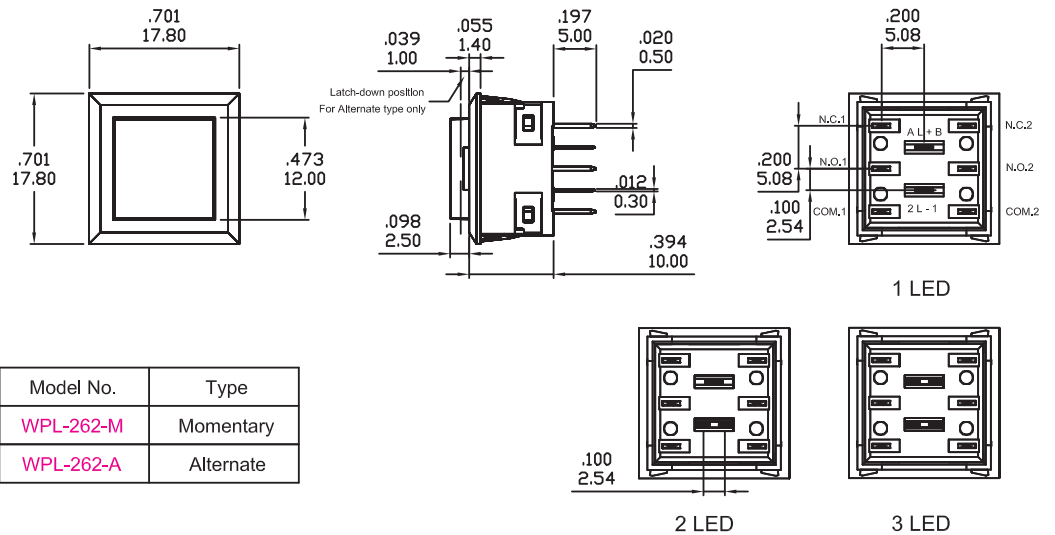
Series LP

Illuminated Pushbutton Switches

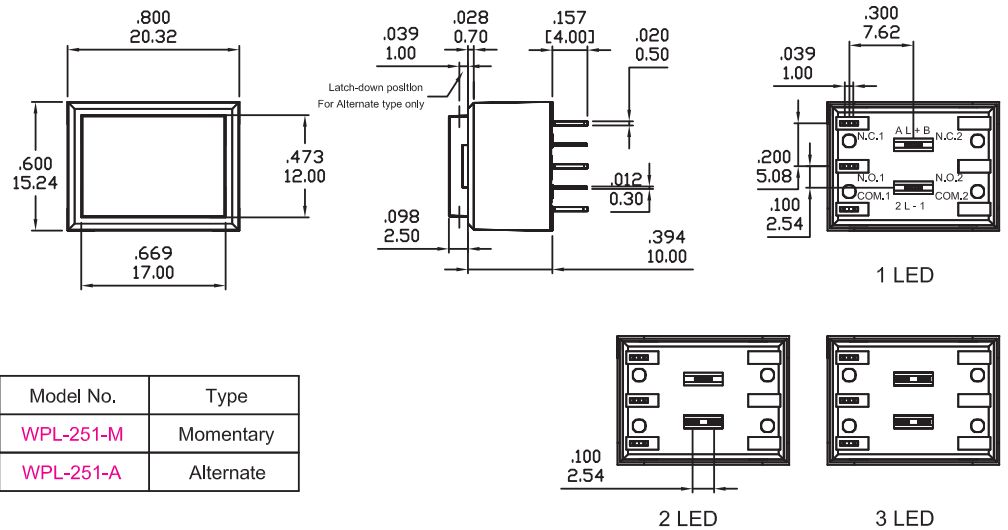
Square Snap-in Style, SPDT, Solder lug



Square Snap-in Style, DPDT, Solder lug



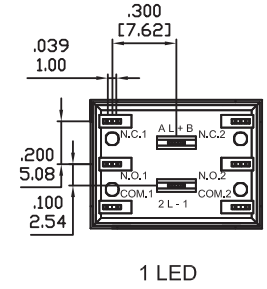
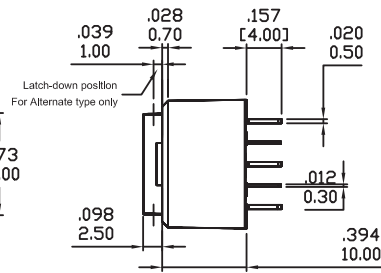
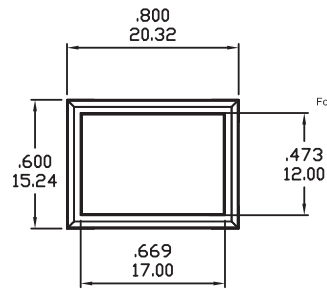
Rectangular Style, SPDT, PC Through-Hole



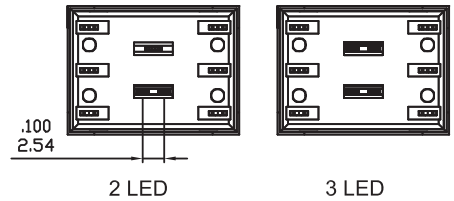
Series LP

Illuminated Pushbutton Switches

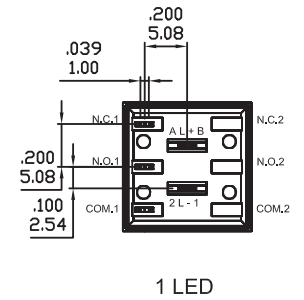
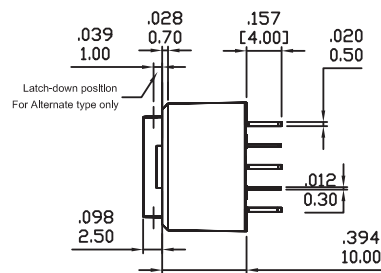
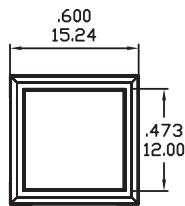
Rectangular Style, DPDT, PC Through-Hole



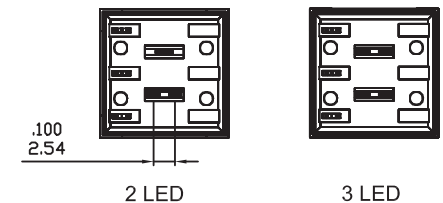
Model No.	Type
WPL-252-M	Momentary
WPL-252-A	Alternate



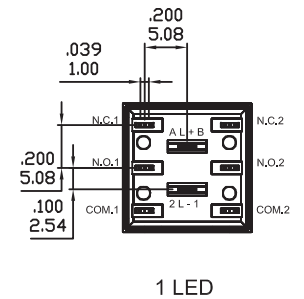
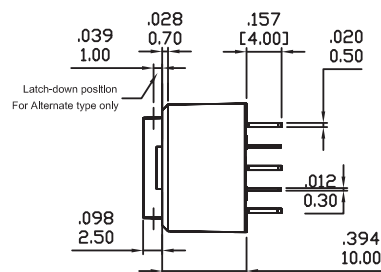
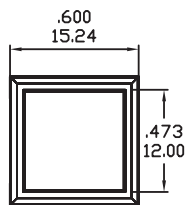
Square Style, SPDT, PC Through-Hole



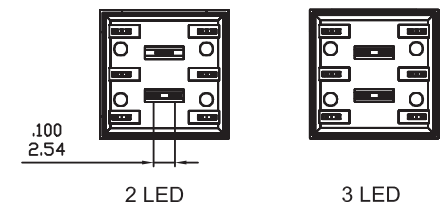
Model No.	Type
WPL-261-M	Momentary
WPL-261-A	Alternate



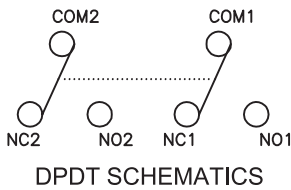
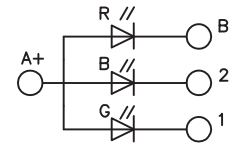
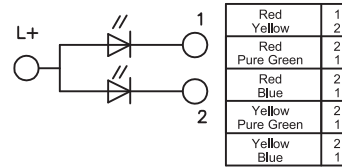
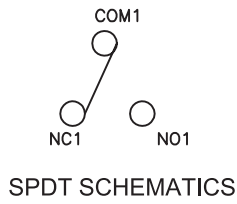
Square Style, DPDT, PC Through-Hole



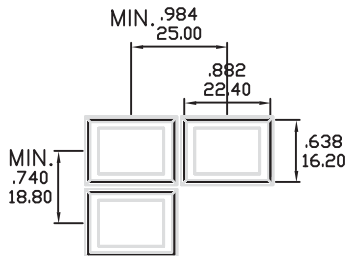
Model No.	Type
WPL-262-M	Momentary
WPL-262-A	Alternate



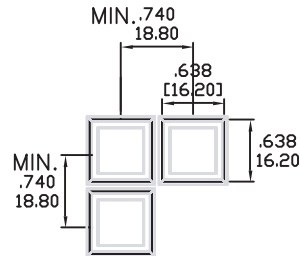
SWITCH & LED SCHEMATICS



PANEL MOUNTING (M1 TYPE)



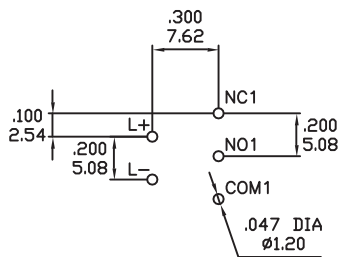
Panel Thickness: 1.0~3.2mm



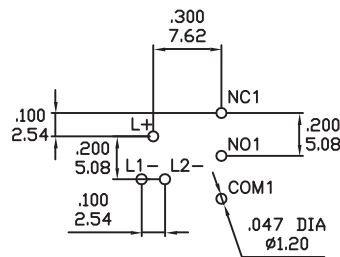
Panel Thickness: 1.0~3.2mm

PCB MOUNTING (M2 TYPE)

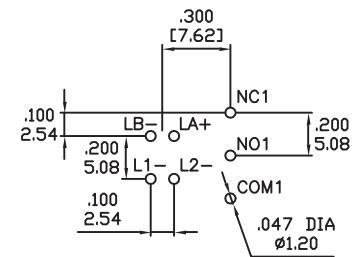
Rectangular SPDT



1 LED

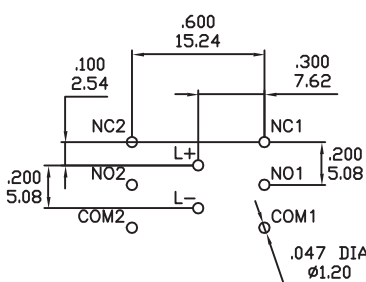


2 LEDs

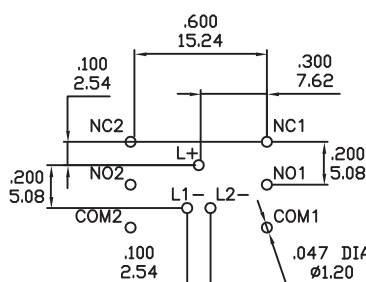


3 LEDs

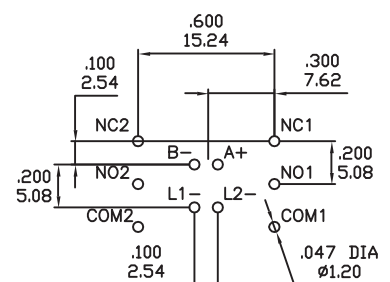
Rectangular DPDT



1 LED

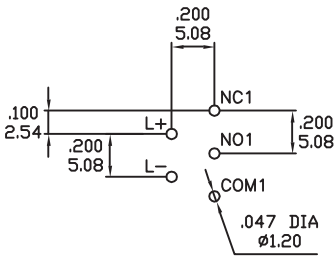


2 LEDs

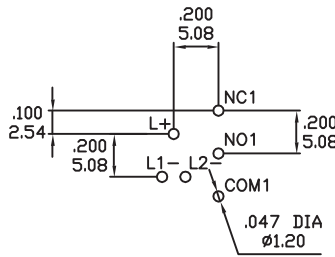


3 LEDs

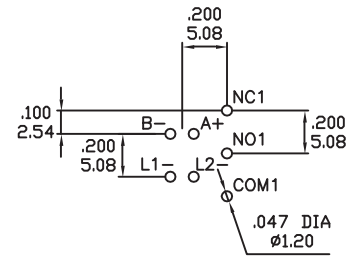
Square SPDT



1 LED

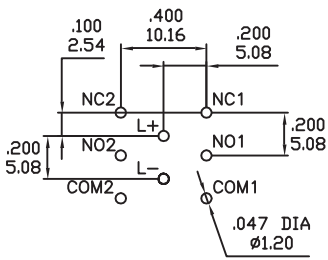


2 LEDs

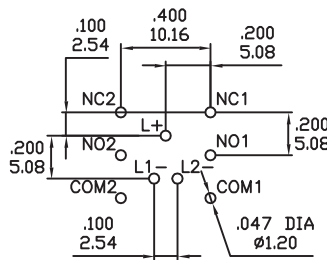


3 LEDs

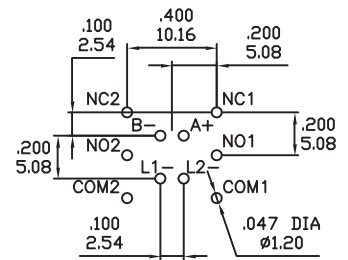
Square DPDT



1 LED



2 LEDs



3 LEDs

LED SPECIFICATIONS

Single Color	Forward Voltage Vf(V) at If=20mA			Dominant Wavelength dom(nm)			Luminous Intensity Iv(mcd) at If=20mA			Power Dissipation Pd(mW)
	Min	Typ	Max	Min	Typ	Max	Min	Typ	Max	
Red	-	1.8	2.6	-	643	-	3.7	13	-	60
Super Yellow	-	2.0	2.5	585	590	595	80	125	-	75
Pure Green	-	-	3.8	520	-	530	200	-	230	80
Blue	-	3.1	3.6	460	465	470	40	-	-	108
White	-	-	3.8	See note 1			300	-	400	100
Dual Colors										
Red	1.7	-	2.5	630	-	650	50	-	100	75
Super Yellow	1.7	-	2.5	585	-	595	80	-	160	75
Red	1.7	-	2.5	630	-	650	50	-	100	75
Pure Green	2.8	-	3.7	520	-	530	200	-	500	111
Red	1.7	-	2.5	630	-	650	50	-	100	75
Blue	2.8	-	3.7	460	-	470	40	-	80	111
Super Yellow	1.7	-	2.5	580	-	595	80	-	160	75
Pure Green	2.8	-	3.7	520	-	530	200	-	500	111
Super Yellow	1.7	-	2.5	585	-	595	80	-	160	75
Blue	2.8	-	3.7	460	-	470	40	-	80	111
Pure Green	-	-	3.8	-	525	-	200	250	-	80
Blue	-	-	3.8	-	465	-	50	70	-	80
RGB										
Red	-	2.0	2.5	632	637	642	50	65	-	75
Green	-	3.1	3.6	520	525	530	100	125	-	114
Blue	-	3.1	3.6	460	465	470	30	35	-	114

LED SPECIFICATIONS

Reverse Voltage Vr(V) max.	Reverse Current Ir(uA) at Vr=5V	Forward Current If(mA) max.
5V	100uA	30mA

Notes:

- 1.Chromaticity Coordinates
X=0.265 / Y=0.280
- 2.LED is static sensitive devices
- 3.LED circuit is isolated and requires external power source
- 4.LED is an integral part of the switch
- 5.Emitting color is ±20%
- 6.Forward voltage is ±0.1V
- 7.Liminous intensity is ±20%

CAP & LED OPTIONS

Code	Cap Color
1	Red
2	Green
3	Yellow
6	Black
8	Blue
9	Transparency

Code	Led Color
R	Red
G	Pure Green
Y	Yellow
B	Blue
0	Without LED

HOW TO ORDER

