

SPECIFICATIONS:

CONTACT RATING: 5A 250VAC max.

ELECTRICAL LIFE: 5A 250VAC 50,000 cycles.

4A 250VAC 60,000 cycles.

2A 250VAC 200,000 cycles.

1A 250VAC 400,000 cycles.

CONTACT RESISTANCE: 50m-ohms max. initial.

INSULATION RESISTANCE: 500VDC 10,000M-ohms min.

DIELECTRIC STRENGTH: 2500VAC, 50Hz for 1 minute.

CONTACT MATERIAL: Silver plated gold flash.

CASE MATERIAL: High performance plastic with resistance to high temperature and oily environment.

OPERATING TEMPERATURE: -25°C to +55°C.

SOLDERING TEMPERATURE: 300°C for 5sec.

FEATURES:

- Apparent shapes with rectangle 18x24mm, square 18x18mm and round diameter 18mm.
- High bezel that prevents accidental touching.
- Illuminated by midget grooved T 1 3/4 lamp or multi-LED.
- Snap-action which accelerates on-off switching.
- Normally closed and normally open contacts in each switch block.
- Available with IP65 protection class. (Series 180A)

Specifications and Dimensions subject to change

MOMENTARY ACTIONS

Model No.	Type	Contact block diagram (button not depressed)	Mounting Length (A)	Case Colour
SP-11	Illuminated		29 mm	black
SP-01	Non-illuminated			red
DP-11	Illuminated		36.5 mm	black
DP-01	Non-illuminated			red

ALTERNATE ACTIONS

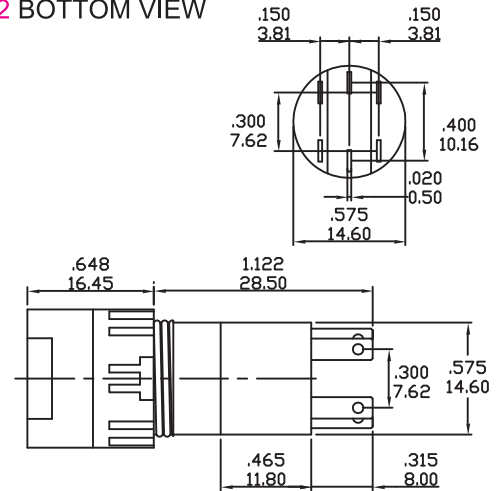
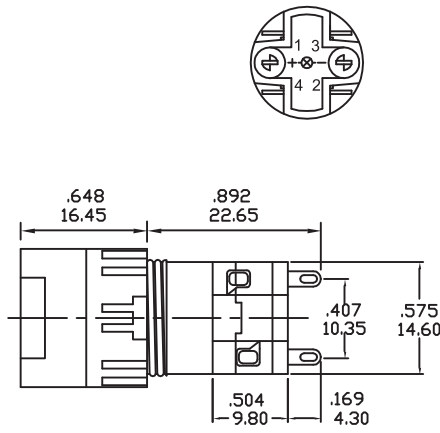
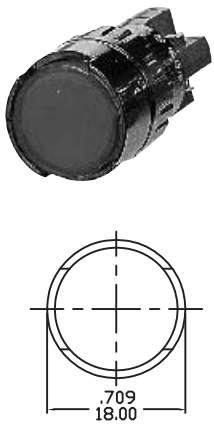
Model No.	Type	Contact block diagram (button not depressed)	Mounting Length (A)	Case Colour
SP-22	Illuminated		29 mm	black
SP-02	Non-illuminated			red
DP-22	Illuminated		36.5 mm	black
DP-02	Non-illuminated			red

SHAPE & TERMINATION

ROUND

A1 BOTTOM VIEW

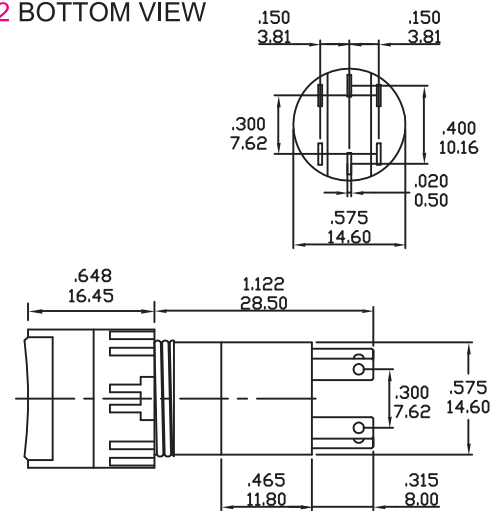
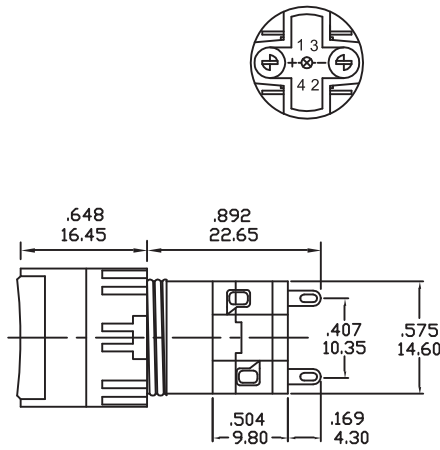
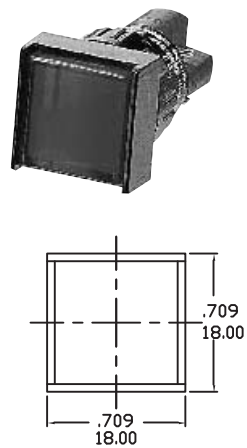
A2 BOTTOM VIEW



SQUARE

B1 BOTTOM VIEW

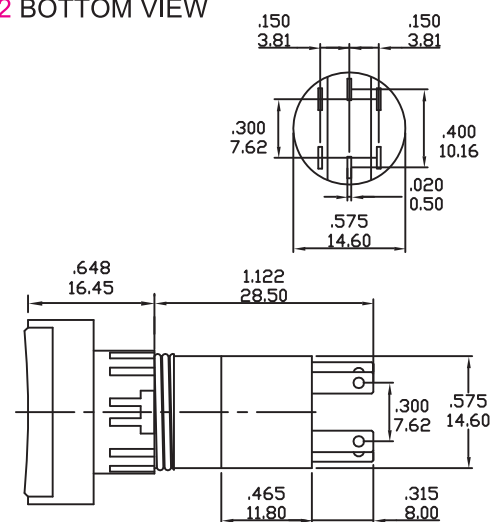
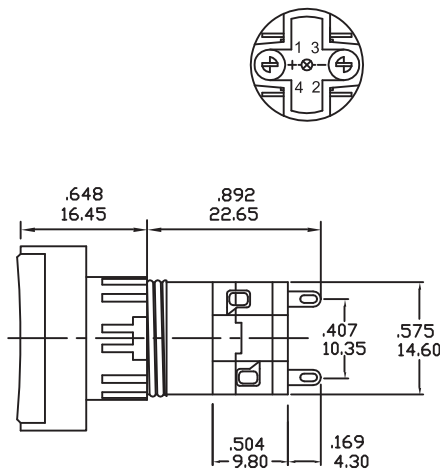
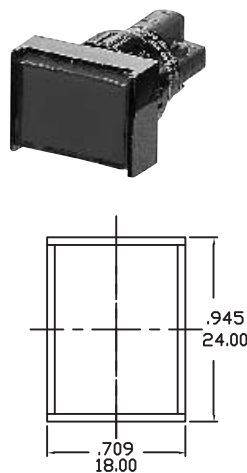
B2 BOTTOM VIEW



RECTANGULAR

C1 BOTTOM VIEW

C2 BOTTOM VIEW

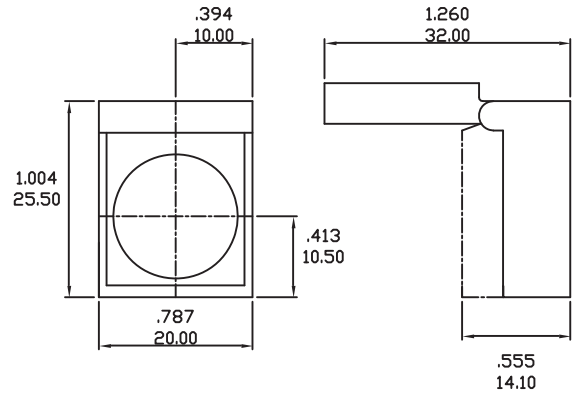


ACCESSORIES

01P-200S



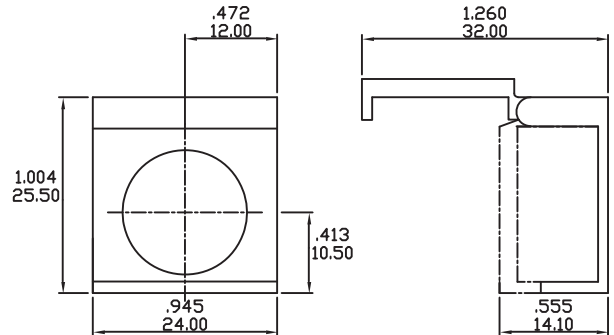
Category	Description
Protection Cap	For square head (90°C)



01P-200R



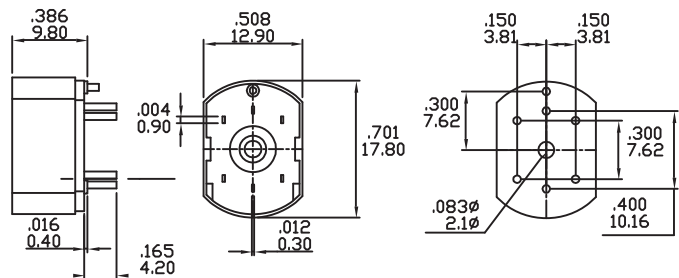
Category	Description
Protection Cap	For rectangular head (90°C)



01P-300



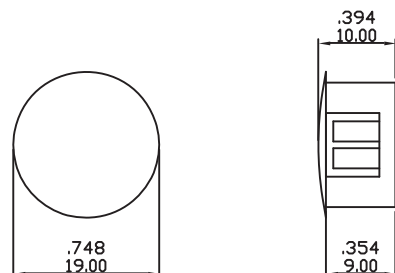
Category	Description
PCB Mounting Socket	Socket insert into PCB board is available for socket type push button switch installation



01P-400



Category	Description
Blanking Plate Block	PVC stopper to stuff the superfluous hole of the panel board only for 16mm hole



ACCESSORIES

01P-500



Category	Description
Connector	Insulation Socket 2.8x0.5mm

010-100



Category	Description
Washer	Anti twisting Ring

01P-T01



Category	Description
Mounting Wrench	Use this for tightening the switch in the mounting hole

01P-T02



Category	Description
Lens Removing Tool	Use this for replacing the fitted color lens

01P-T03



Category	Description
Lamp Extractor	Lamp removing tool

BUTTON COLOR OPTIONS

R = Red

Y = Yellow

G = Green

LAMP & LED OPTIONS

LAMP

A = 110V

B = 220V

C = 6V

D = 12V

E = 24V

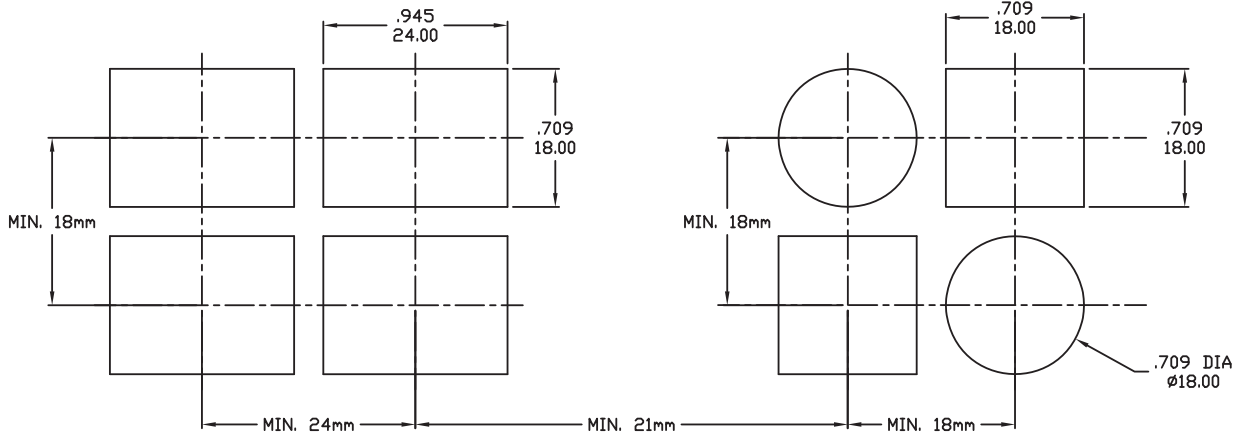
LED

F = 12V

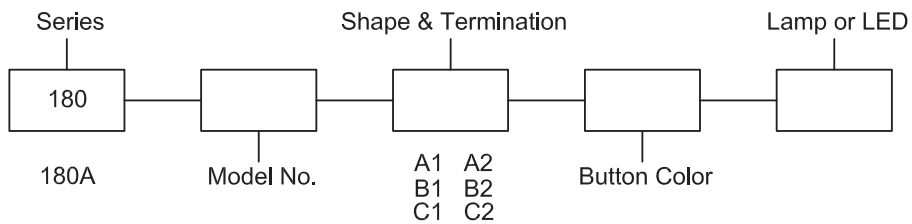
G = 24V

PANEL MOUNTINGS

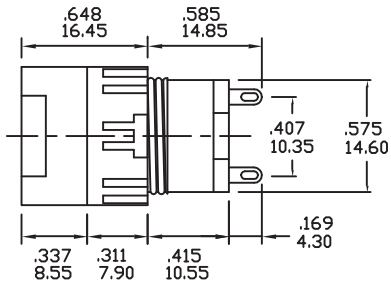
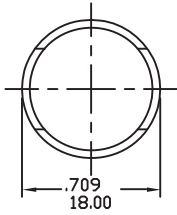
For multi-switches mounting suggestion



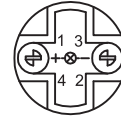
HOW TO ORDER



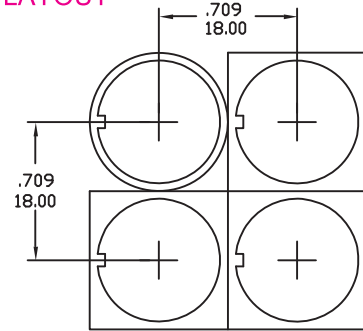
ROUND



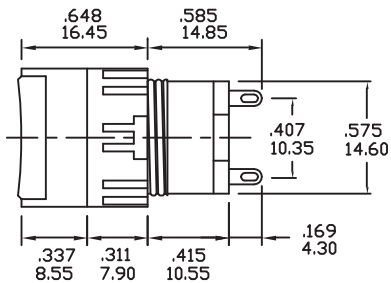
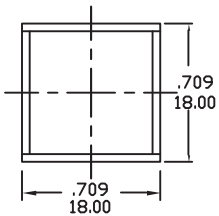
BOTTOM VIEW



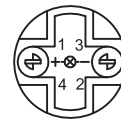
HOLE LAYOUT



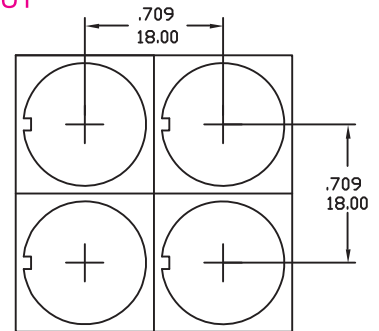
SQUARE



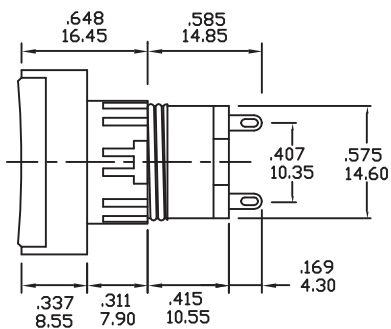
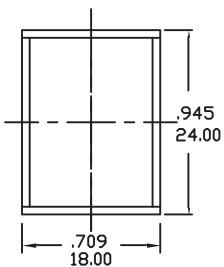
BOTTOM VIEW



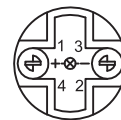
HOLE LAYOUT



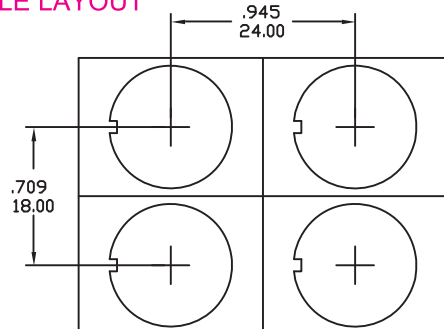
RECTANGULAR



BOTTOM VIEW



HOLE LAYOUT



BUTTON COLOR OPTIONS

R = Red

Y = Yellow

G = Green

LAMP & LED OPTIONS

LAMP

A = 110V

B = 220V

C = 6V

D = 12V

E = 24V

LED

F = 12V

G = 24V

HOW TO ORDER

