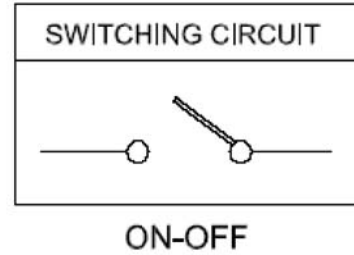
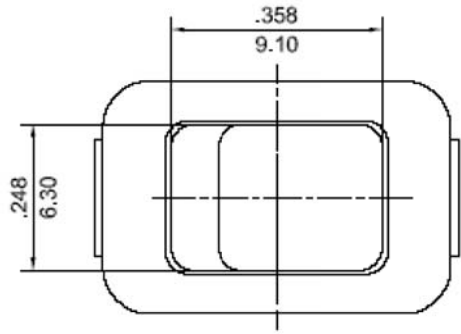
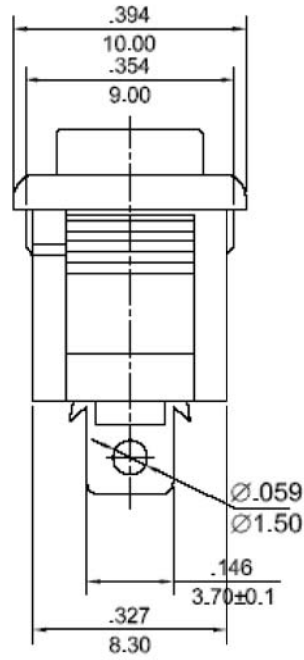
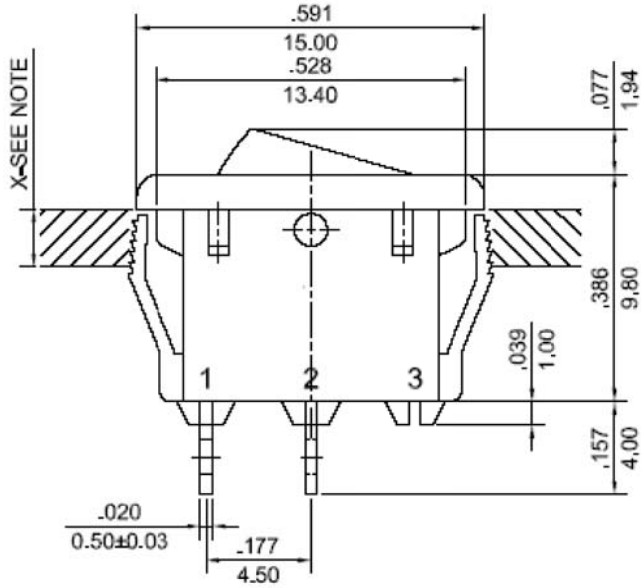


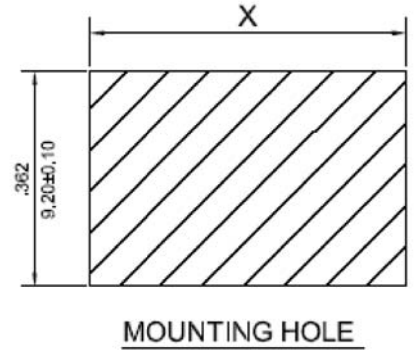
REV. 更改	DESCRIPTION 說明	ENG. 修改人	APPROVE 審核
------------	-------------------	-------------	---------------



SPECIFICATIONS:
 1. Rating: 3A 250VAC 6A 125VAC (UL/CSA)
 2. Contact Resistance: 20m-ohms (initial)
 3. Insulation Resistance: 500VDC 100M-ohms MIN.
 4. Dielectric Strength: 1000VAC for 1 minute
 5. Electrical Life: 10,000 cycles
 6. Tolerance: ±0.30mm



	X Cutout Dimension	Panel Thickness
A	.535/13.6 +0.00 -0.10	0.75~1.25
B	.539/13.7 +0.00 -0.10	1.25~2.00
C	.543/13.8 +0.00 -0.10	2.00~2.50



THESE DRAWINGS AND SPECIFICATIONS ARE THE PROPERTY OF TAIWAY ELECTRONICS LTD. AND SHALL NOT BE REPRODUCED COPIED OR USED IN ANY MANNER WITHOUT THE PRIOR WRITTEN CONSENT OF TAIWAY ELECTRONICS LTD.

泰瑋電子有限公司
 TAIWAY ELECTRONICS COMPONENTS CO.,LTD.

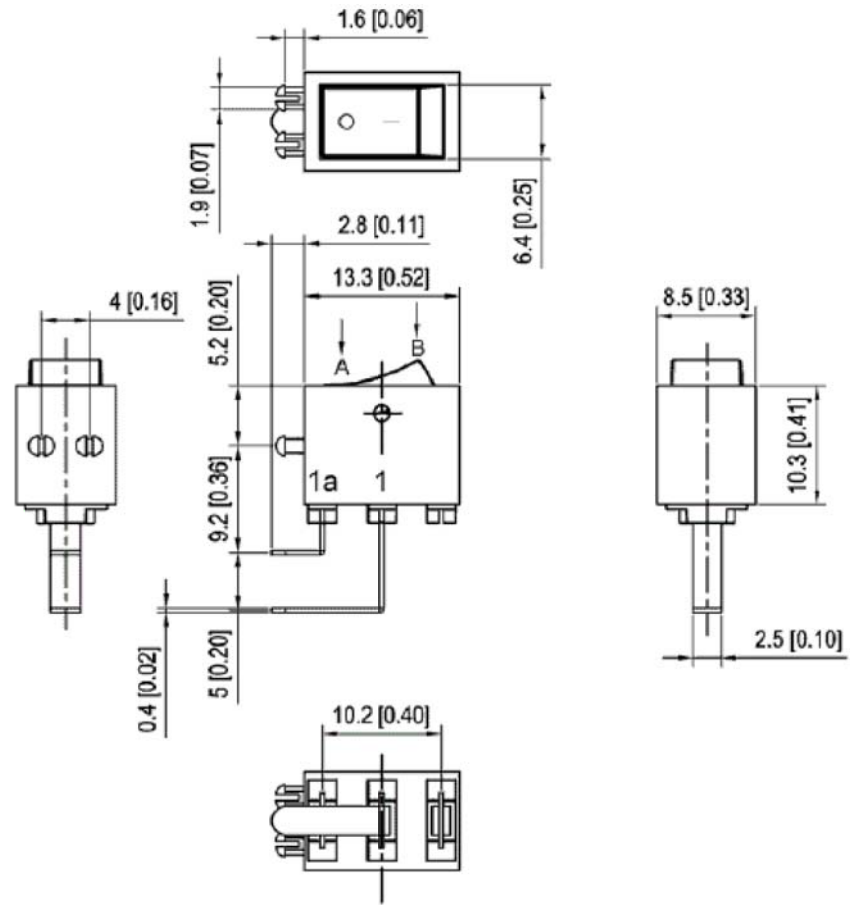
UNLESS OTHERWISE SPECIFIED DIMENSIONS ARE IN MILLIMETERS ANGULAR TOLERANCE: ±1.0°	
DIMENSIONS	TOLERANCE
0.00 TO 30.00mm	±0.20mm
30.01 TO 80.00mm	±0.25mm
80.01 TO 150.00mm	±0.30mm
150.01	±0.40mm

USED 用途	R19U	APPD. 審核	Amy 2010/01/05
FINISH 處理		CHKD. 校對	Amy 2010/01/05
SCALE 比例	/	DR. 製圖	Amy 2010/01/05
UNIT 單位	in(mm)		

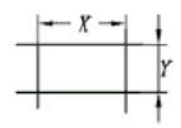
ITEM NO. 料號	R19U-33A-x-x-x-M2
----------------	-------------------

MATERIAL	TITLE 名稱	ULTRAMINIATURE POWER ROCK	SIZE 圖紙	A4
	DWG NO. 圖號	R19U-33A-x-x-x-M2	REV. 更改	1
	FILE NAME 檔案名稱	R19U-33A.dwg	SHEET 張	1/1

REV. 更改	DESCRIPTION 說明	ENG. 修改人	APPROVE 審核



PANEL OUT-CUT	
Y	X
8.6~9.0 [.338~.354]	13.4~13.8 [.528~.543]



- SPECIFICATIONS:
1. Rating: 3A 250VAC (UL/CSA)
 2. Contact Resistance: 20m-ohms (initial)
 3. Insulation Resistance: 500VDC 1000M-ohms MIN.
 4. Dielectric Strength: 1500VAC for 1 minute
 5. Electrical Life: 10,000 cycles MIN.
 6. Tolerance: ±0.30mm



CIRCUIT SPST

POLE FUNCTION	OPTIONS OF FUNCTION		
	A	—	B
SPST	1-1a	—	OFF

ITEM NO. 料號	R19U-R402-x-x-x-M7
----------------	--------------------

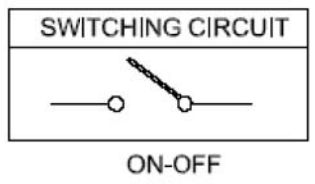
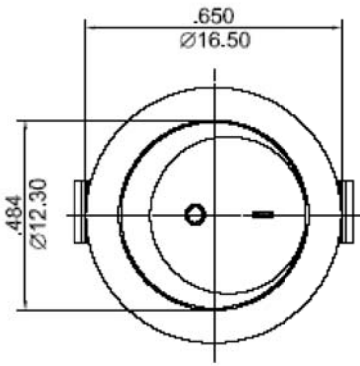
THESE DRAWINGS AND SPECIFICATIONS ARE THE PROPERTY OF TAIWAY ELECTRONICS LTD. AND SHALL NOT BE REPRODUCED COPIED OR USED IN ANY MANNER WITHOUT THE PRIOR WRITTEN CONSENT OF TAIWAY ELECTRONICS LTD.

UNLESS OTHERWISE SPECIFIED DIMENSIONS ARE IN MILLIMETERS ANGULAR TOLERANCE: ±1.0°

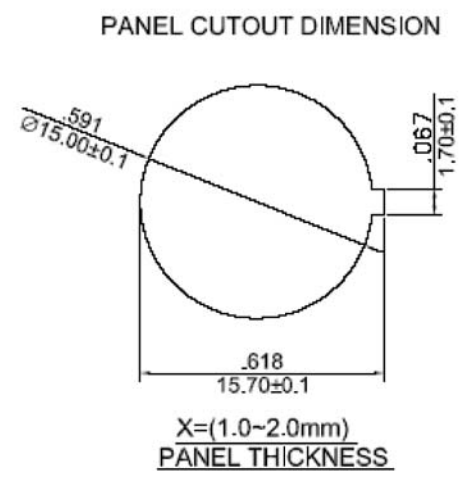
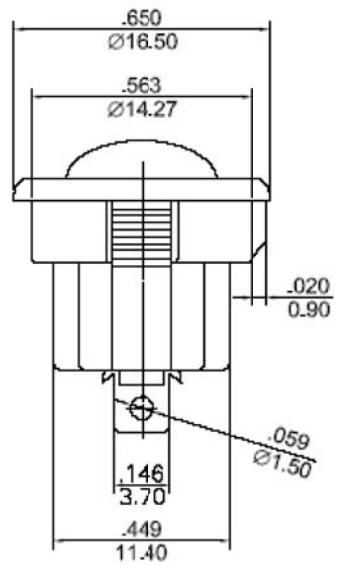
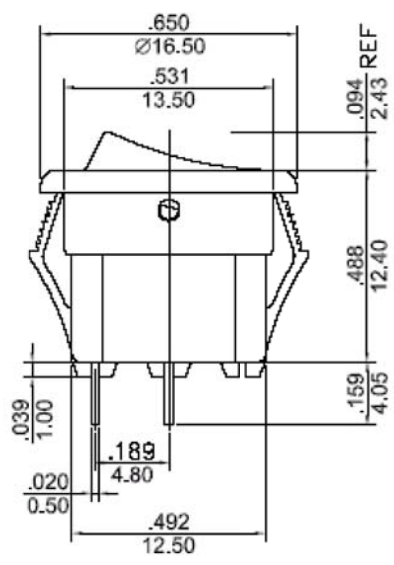
USED 用途	R19U	APPD. 審核	Amy 2009/10/27
FINISH 處理		CHKD. 校對	Amy 2009/10/27
SCALE 比例	/	UNIT 單位	in(mm)
		DR. 製圖	Amy 2009/10/27
DIMENSIONS		TOLERANCE	
0.00 TO 30.00mm		±0.20mm	
30.01 TO 80.00mm		±0.25mm	
80.01 TO 150.00mm		±0.30mm	
150.01		±0.40mm	
TITLE 名稱	ULTRAMINIATURE POWER RELAY		
DWG NO. 圖號	R19U-R402-x-x-x-M7		SIZE 圖紙
FILE NAME 檔案名稱	R19U-R402.dwg	SHEET 張	1 / 1
		REV. 更改	1

泰瑋電子有限公司
TAIWAY ELECTRONICS COMPONENTS CO.,LTD.

REV. 更改	DESCRIPTION 說明	ENG. 修改人	APPROVE 審核



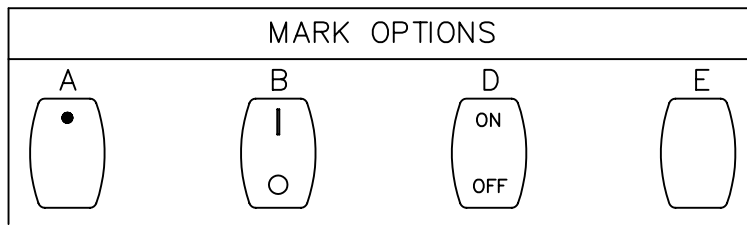
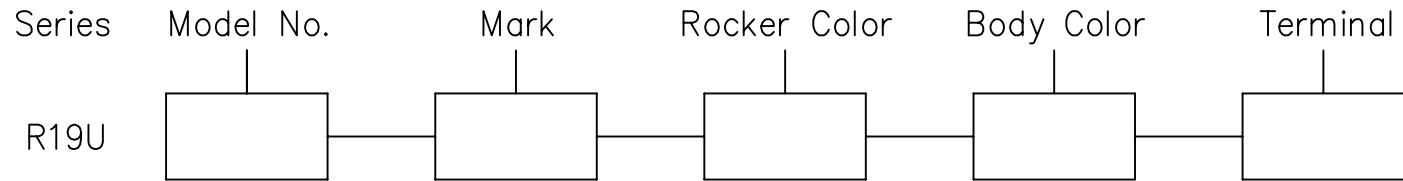
- SPECIFICATIONS:
1. Rating: 3A 250VAC 6A 125VAC (UL/CSA)
 2. Contact Resistance: 20m-ohms (initial)
 3. Insulation Resistance: 500VDC 100M-ohms MIN.
 4. Dielectric Strength: 1000VAC for 1 minute
 5. Electrical Life: 10,000 cycles MIN.
 6. Tolerance: ±0.30mm



ITEM NO. 料號	R19U-R112A-x-x-x-M2
----------------	---------------------

THESE DRAWINGS AND SPECIFICATIONS ARE THE PROPERTY OF TAIWAY ELECTRONICS LTD. AND SHALL NOT BE REPRODUCED COPIED OR USED IN ANY MANNER WITHOUT THE PRIOR WRITTEN CONSENT OF TAIWAY ELECTRONICS LTD.		泰瑋電子有限公司 TAIWAY ELECTRONICS COMPONENTS CO.,LTD.	
UNLESS OTHERWISE SPECIFIED DIMENSIONS ARE IN MILLIMETERS ANGULAR TOLERANCE: ±1.0°		USED 用途	R19U
DIMENSIONS		TOLERANCE	APPD. 審核
0.00 TO 30.00mm	±0.20mm	SCALE	Amy 2010/01/05
30.01 TO 80.00mm	±0.25mm	UNIT	CHKD. 校對
80.01 TO 150.00mm	±0.30mm	in(mm)	Amy 2010/01/05
150.01	±0.40mm	DR.	Amy 2010/01/05
MATERIAL		TITLE 名稱	製圖
		ULTRAMINIATURE POWER ROCK	
		DWG NO. 圖號	
		R19U-R112A-x-x-x-M2	SIZE 圖紙
		FILE NAME 檔案名稱	A4
		R19U-R112A.dwg	
		SHEET 張	
		1/1	REV. 更改
			1

HOW TO ORDER SYSTEM



Rocker Color		Body Color	
1	White	A	White
2	Black	B	Black
3	Gray	C	Gray
5	Yellow		
6	Red		
8	Green		

ITEM NO. 料號	R19U Series Ordering System
----------------	-----------------------------

THESE DRAWINGS AND SPECIFICATIONS ARE THE PROPERTY OF TAIWAY ELECTRONICS LTD. AND SHALL NOT BE REPRODUCED COPIED OR USED IN ANY MANNER WITHOUT THE PRIOR WRITTEN CONSENT OF TAIWAY ELECTRONICS LTD.

UNLESS OTHERWISE SPECIFIED DIMENSIONS ARE IN MILLIMETERS ANGULAR TOLERANCE: ±1.0°

DIMENSIONS	TOLERANCE
0.00 TO 30.00mm	±0.20mm
30.01 TO 80.00mm	±0.25mm
80.01 TO 150.00mm	±0.30mm
150.01	±0.40mm

泰瑋電子有限公司
TAIWAY ELECTRONICS COMPONENTS CO.,LTD.

USED 用途	R19	APPD. 審核	Amy 2009/10/27
FINISH 處理		CHKD. 校對	Amy 2009/10/27
SCALE 比例	/	DR. 製圖	Amy 2009/10/27
UNIT 單位	in(mm)		

MATERIAL		TITLE 名稱	POWER ROCKER SWITCH		
		DWG NO. 圖號	R19U-x		SIZE 圖紙
		FILE NAME 檔案名稱	R19U-x.dwg	SHEET 張	1 / 1
		REV. 更改		REV. 更改	1