

SPECIFICATIONS:

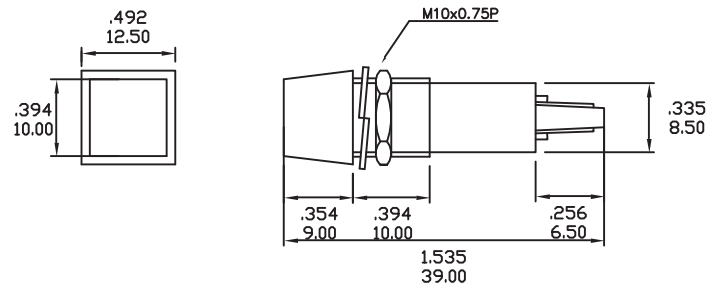
INSULATION RESISTANCE: 100M Ω min. @ 500VDC.
 DIELECTRIC STRENGTH: 200VAC min. for 1 minute.
 OPERATING TEMPERATURE: -25°C to +70°C.
 PULL FORCE BETWEEN TERMINAL & BASE:
 (a) Normal type 2kgf for 1 minute.
 (b) Sealed type 5kgf for 1 minute.
 PULL FORCE BETWEEN BASE & BODY:
 (a) Normal type 2kgf for 1 minute.
 (b) Sealed type 5kgf for 1 minute.
 HAND SOLDERING: 350±5°C for 3sec. max.

MATERIALS:

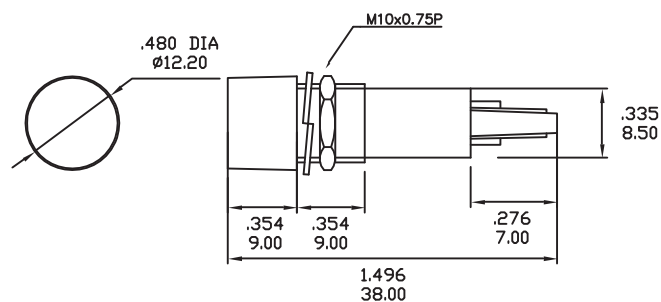
BODY: Polycarbonate UL 94V-0 or Acrylic.
 BASE: Glass fiber polyamide, UL 94V-0.
 ILLUMINANT: Neon lamp or LED.
 TERMINAL: Copper alloy, tin plated over nickel.
 WASHER: Polyamide, UL 94V-0 or iron hoop.
 NUT: M10x0.75P or M15x1P iron.

Specifications and Dimensions subject to change

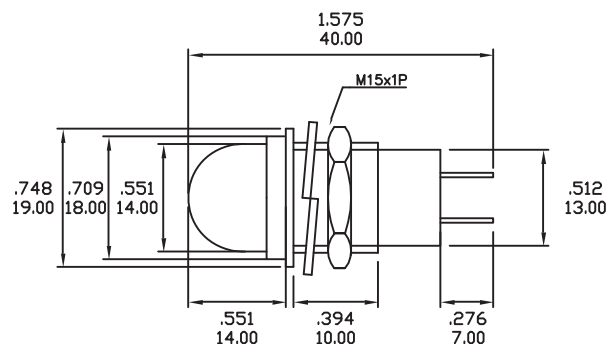
NI-01



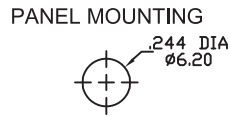
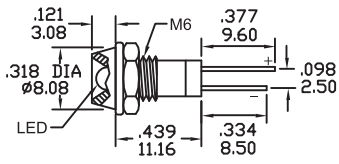
NI-02



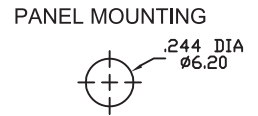
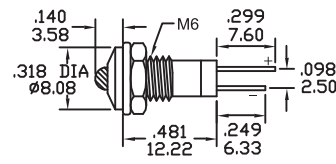
NI-03



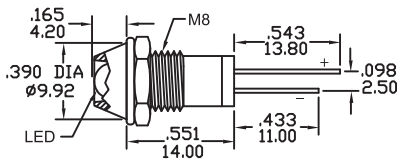
L-602 LED INDICATOR LIGHT
W/O Resistor 2V



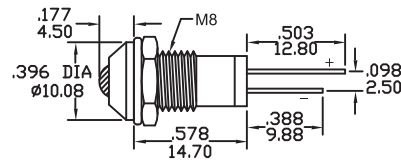
L-605 LED INDICATOR LIGHT
W/O Resistor 2V



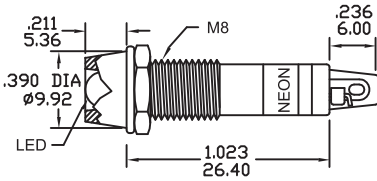
L-607 LED INDICATOR LIGHT
W/O Resistor 2V



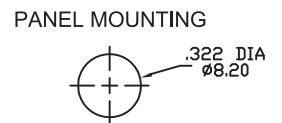
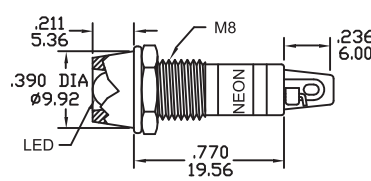
L-610 LED INDICATOR LIGHT
W/O Resistor 2V



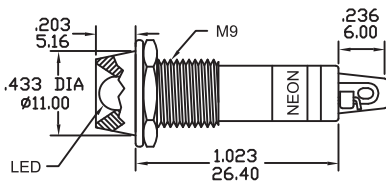
N-701 NEON / N-701L LED INDICATOR LIGHT
W Resistor 120V 220V / W Resistor 6V 12V 24V



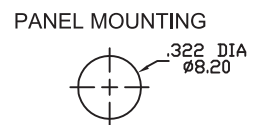
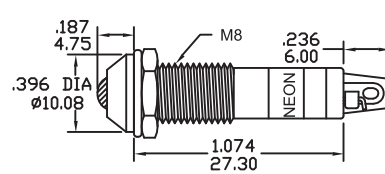
N-702 NEON / N-702P PILOT INDICATOR LIGHT
W Resistor 120V 220V / W Resistor 6V 12V 24V



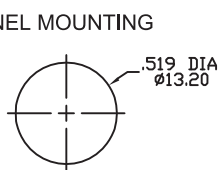
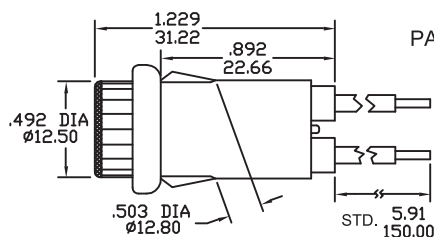
N-703 NEON INDICATOR LIGHT
W Resistor 120V 220V



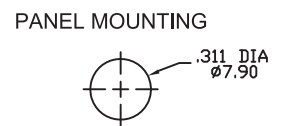
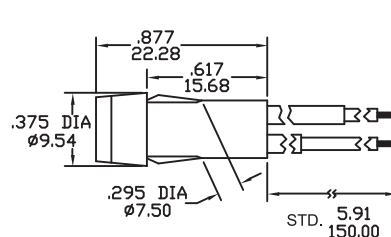
N-705 NEON / N-705L LED INDICATOR LIGHT
W Resistor 120V 220V / W Resistor 6V 12V 24V



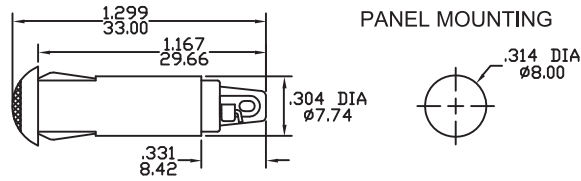
N-301 INDICATOR LIGHT
W Resistor 120V 220V



N-381 INDICATOR LIGHT
W Resistor 120V 220V



N-369 INDICATOR LIGHT W Resistor 120V 220V



LED & LAMP COLOR OPTIONS

LED Colors

Code	Color
1	Red
2	Orange
3	Green
4	Yellow
5	Blue
6	White

Lamp Colors

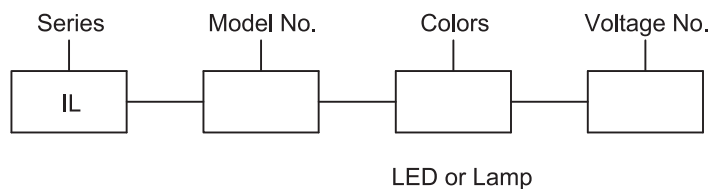
Code	Color
1	Red
2	Orange
3	Green
4	Amber
5	Blue
6	White

VOLTAGE OPTIONS

Code No.	Voltage	Indicator Lights						
		L-6xx	N-7xx	N-7xxL	N-7xxP	N-3xx	LI-xx	NI-xx
1	2V	●						
2	6V			●	●			
3	12V			●	●		●	
4	24V			●	●		●	
5	120V		●			●		●
6	220V		●			●		●
7	5V						●	

● :AVAILABLE

HOW TO ORDER



SPECIFICATIONS:

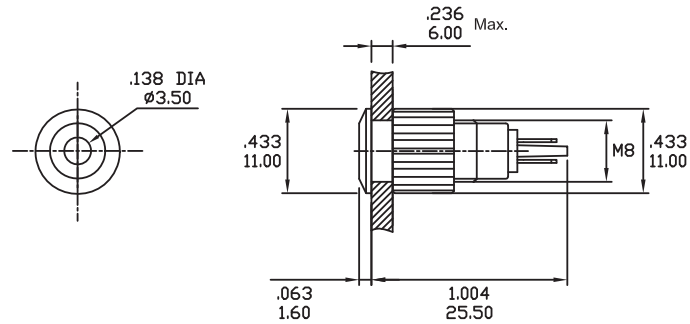
VOLTAGE RANGE: Max. 36V.
 RATED CURRENT: 15mA.
 DIELECTRIC STRENGTH: 1,100V RMS 50~60Hz.
 OPERATING TEMPERATURE: -20°C to +55°C
 IP CLASS: IP67 front panel protection.
 TORQUE: 5~14Nm max. applied to nut.

MATERIALS:

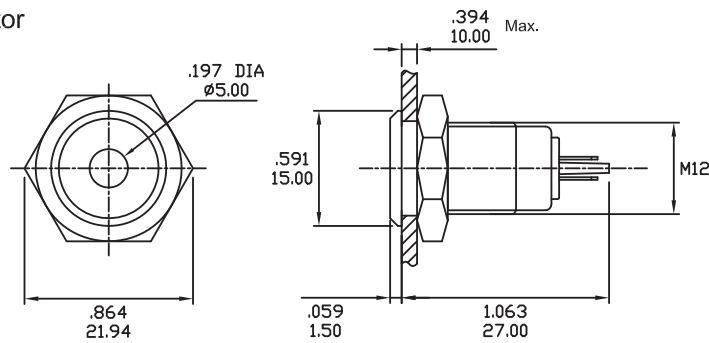
LED COVER: PC.
 BODY: Brass nickel plated (N).
 BASE: PBT.
 ILLUMINANT: LED.

Specifications and Dimensions subject to change

NI-04 Anti-Vandal Indicator



NI-05 Anti-Vandal Indicator



LED & VOLTAGE OPTIONS

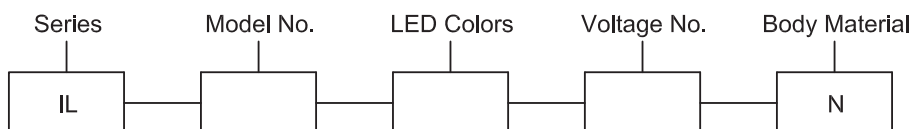
LED Colors

Code	Color
R	Red
G	Orange
Y	Yellow
O	Orange
B	Blue
W	White

Voltage

Code	Voltage
2	6V
3	12V
4	24V

HOW TO ORDER



Brass Nickel Plated