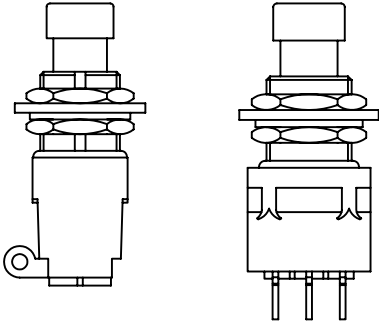


NEW!



SPECIFICATIONS:

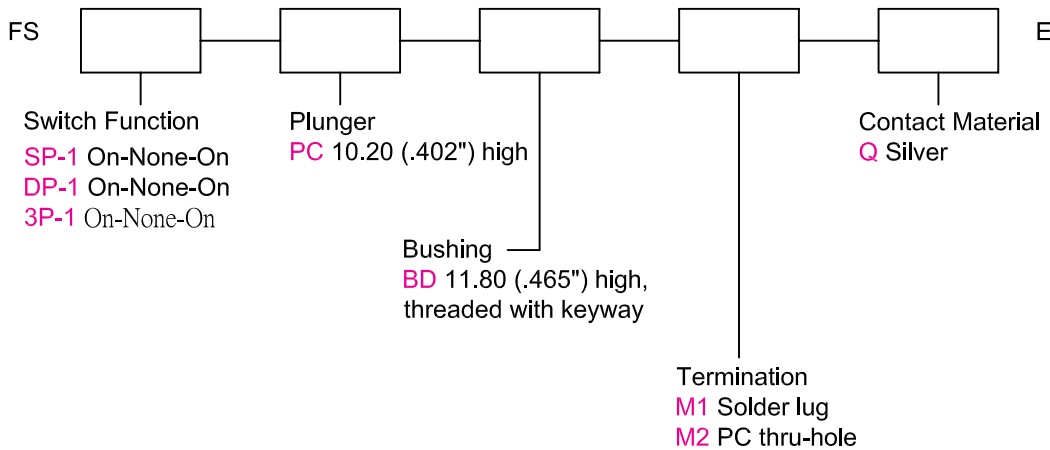
CONTACT RATING: 2A/4A 250VAC/125VAC
 ELECTRICAL LIFE: 20,000 make-and-break cycles at full load.
 CONTACT RESISTANCE: 50m-ohms max. initial @2-4VDC
 INSULATION RESISTANCE: 500VDC 100M-ohms min.
 DIELECTRIC STRENGTH: 1,500VAC for 1 minute.
 OPERATING FORCE: SPDT (M1 & M2) 1500gf, DPDT (M1) 1600gf (M2) 1900gf, 3PDT (M1 & M2) 3500gf.
 OPERATING TEMPERATURE: -20°C to +65°C

MATERIALS:

BASE: Nylon 66 (UL94V-0).
 PLUNGER & CAP: Brass, nickel plated.
 BUSHING: Brass, nickel plated
 COVER: Stainless steel.
 PIVOT PIN: POM.
 SPRING: Piano wire.
 TERMINAL & CONTACT: Copper, tin plated.
 NUT: Brass, nickel plated.
 RING: POM.
 WASHER: Steel, nickel plated.

If your preferred product configuration is not shown, please contact our sales representative for custom design.

HOW TO ORDER SYSTEM

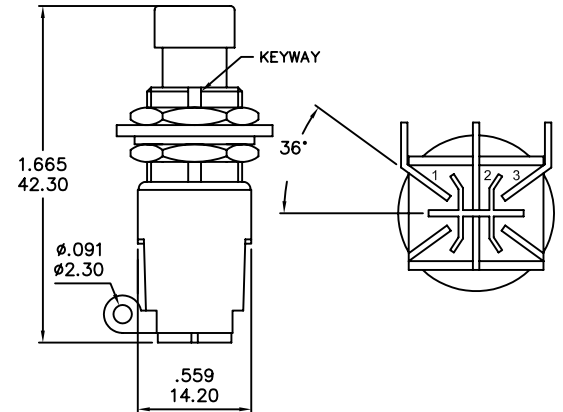
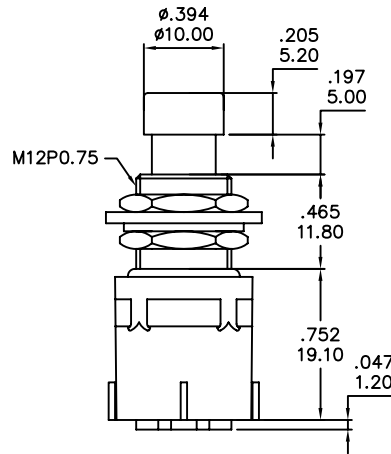


Series FS

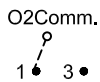
Foot Switches

SPDT

Model No.	Switching Position		
	SP-1	ON	NONE
Term. Comm.	2-3	OPEN	2-1

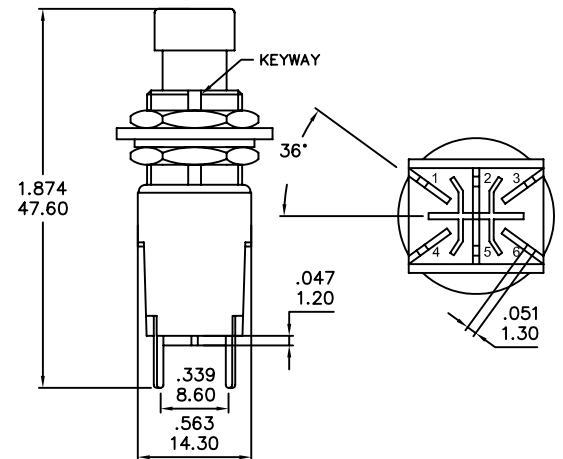
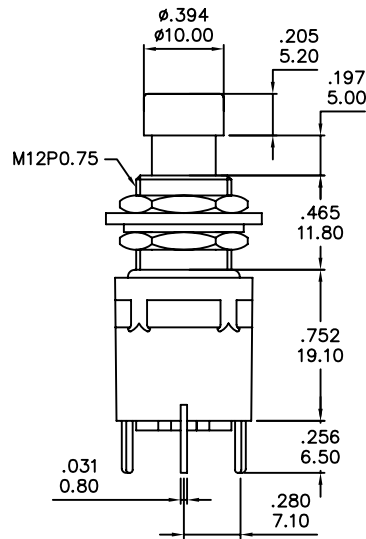


Schematic

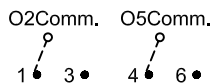


DPDT

Model No.	Switching Position		
	DP-1	ON	NONE
Term. Comm.	2-3,5-6	OPEN	2-1,5-4

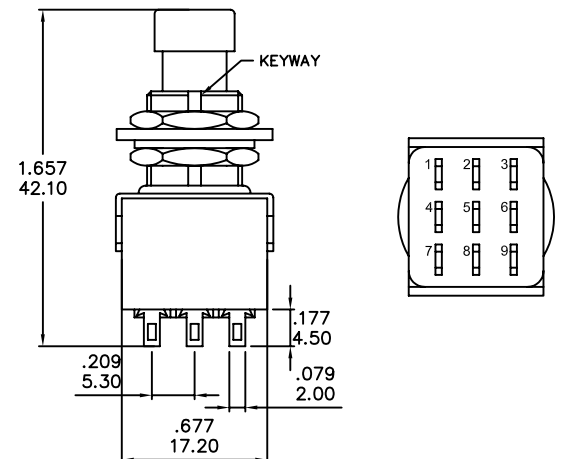
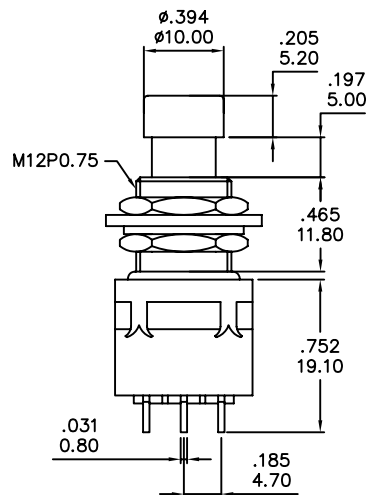


Schematic

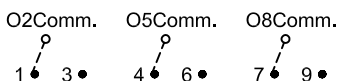


3PDT

Model No.	Switching Position		
	3P-1	ON	NONE
Term. Comm.	2-3,5-6 8-9	OPEN	2-1,5-4 8-7

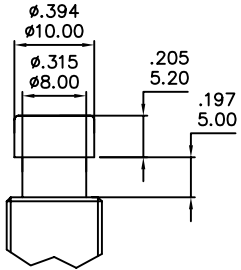


Schematic

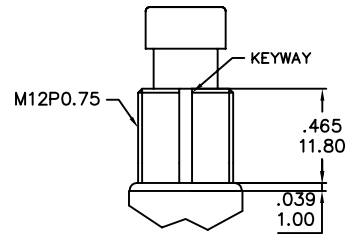


PLUNGER & BUSHING OPTIONS

PC

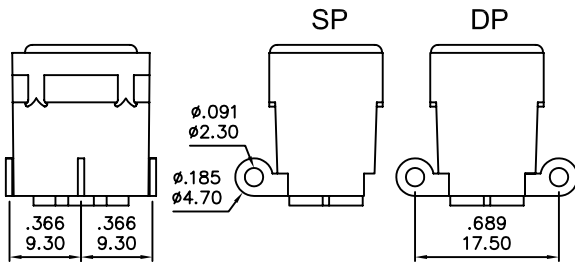


BD

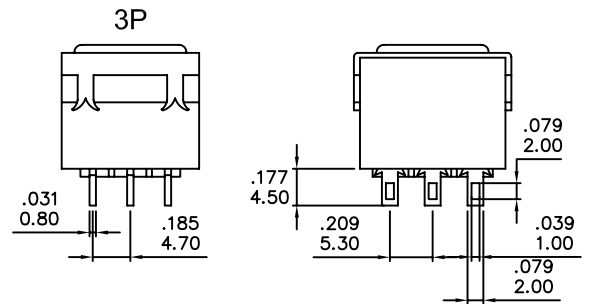


TERMINATION OPTIONS

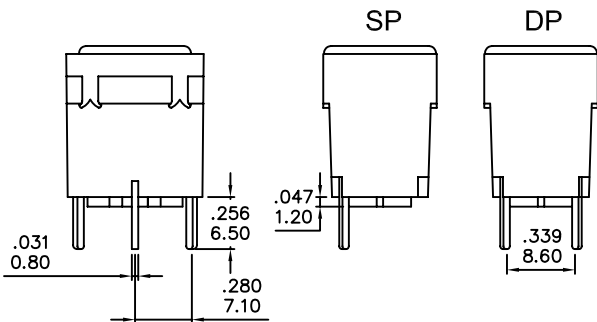
M1



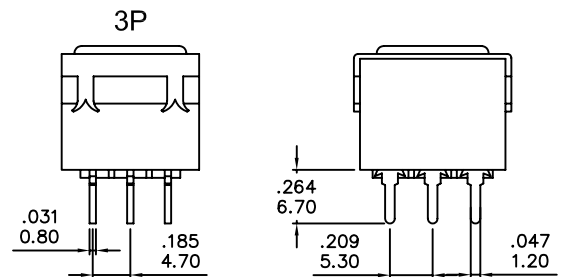
M1



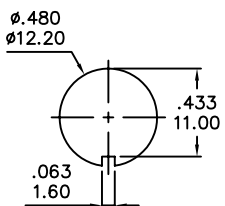
M2



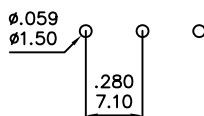
M2



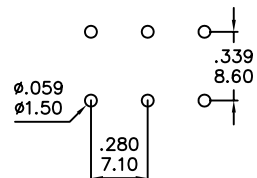
PANEL & PC MOUNTING



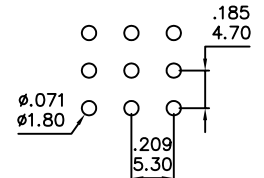
SP



DP



3P



Panel Thickness 3.00mm max.