

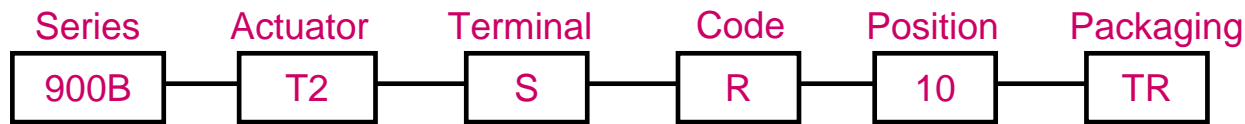
## Product Group *NEW!*

### Rotary Dip Switch

<b>Type</b>	<b>7mm x 7mm Rotary Dip Switches</b>
<b>Electrical Life</b>	25,000 cycles
<b>Rating</b>	(Non-switching)400mA 42V, (Switching)100mA 42V
<b>Contact Resistance</b>	< 80m-ohms (initial)
<b>Terminal Option</b>	Through-hole, Surface mount, Right angle
<b>Actuator Type</b>	Flash or Extended
<b>Features</b>	<ul style="list-style-type: none"> <li>•The smallest size to save PCB space</li> <li>•Process Sealed to IP67</li> <li>•Through hole &amp; Surface Mount &amp; Right angle models</li> <li>•Positive detent ensures actuation</li> </ul>
<b>Applications</b>	<ul style="list-style-type: none"> <li>•Dome camera</li> <li>•Wireless microphone</li> <li>•Security equipment</li> <li>•Computer and Peripherals</li> </ul>



## HOW TO ORDER



**T1** Flash with  
Screwdriver Slot

**T2** 4.50mm Extended  
with Screwdriver Slot

**T3** 4.20mm Extended  
with Screwdriver Slot

**T** Through-hole

**S** Surface mount

**R** 5.08 Right angle

**R1** 2.54 Right angle

**R** Real code

**C** Complement code

**G** Gray code

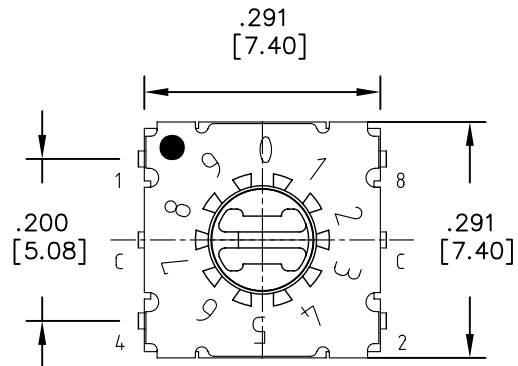
**TR** Tape-Reeled (Surface mount only)

\* Standard Tube Packing for other terminals

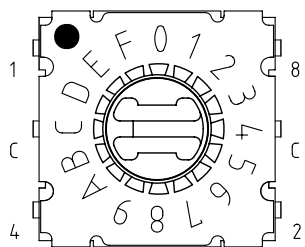
**10** 10 positions (0-9)

**16** 16 positions (0-F)

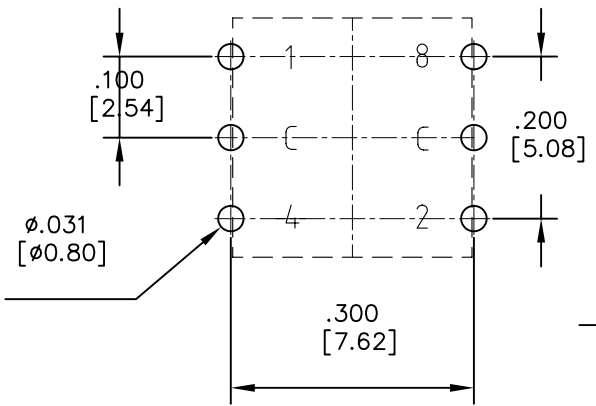
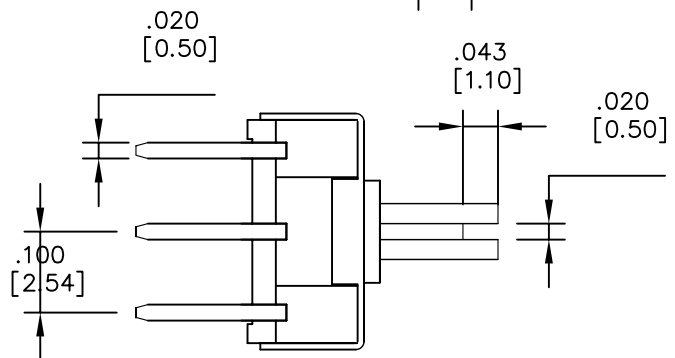
REV. 更改	DESCRIPTION 說明	ENG. 修改人	APPROVE 審核
------------	-------------------	-------------	---------------



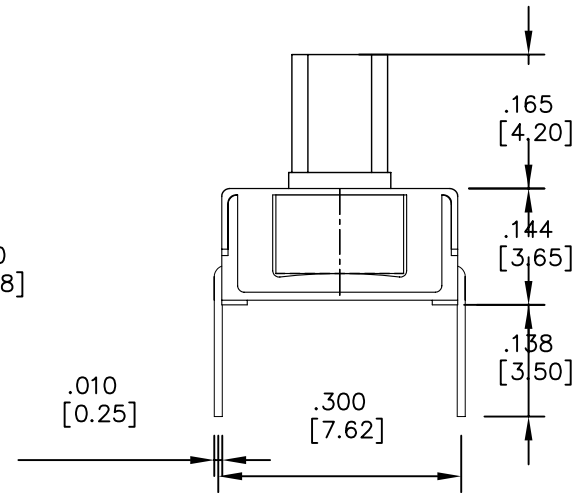
10 Position



16 Position



PCB LAYOUT



ITEM NO.	900B-T3-T-R-10
料號	900B-T3-T-R-16

		Real Coded				
		C	1	2	4	8
10 P o s i t i o n	0	●				
	1	●	●			
	2	●		●		
	3	●	●	●		
	4	●			●	
	5	●	●		●	
	6	●		●	●	
	7	●	●	●	●	
	8	●				●
	9	●	●			●
16 P o s i t i o n	A	●		●		●
	B	●	●	●		●
	C	●			●	●
	D	●	●		●	●
	E	●		●	●	●
	F	●	●	●	●	●

SPECIFICATIONS:

- Rating: (Non-switching)400mA 42V, (Switching)100mA 42V.
- Contact Resistance: 80m-ohms max.
- Insulation Resistance: 100M-ohms min.
- Operating Force: 120gf±30gf.
- Life Cycle: 25,000 step.
- Contact & Terminal: Copper alloy, gold plated.

THESE DRAWINGS AND SPECIFICATIONS ARE THE PROPERTY OF TAIWAY ELECTRONICS LTD. AND SHALL NOT BE REPRODUCED COPIED OR USED IN ANY MANNER WITHOUT THE PRIOR WRITTEN CONSENT OF TAIWAY ELECTRONICS LTD.

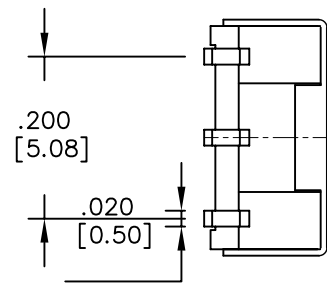
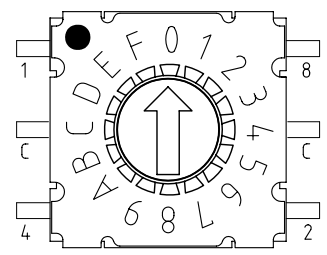
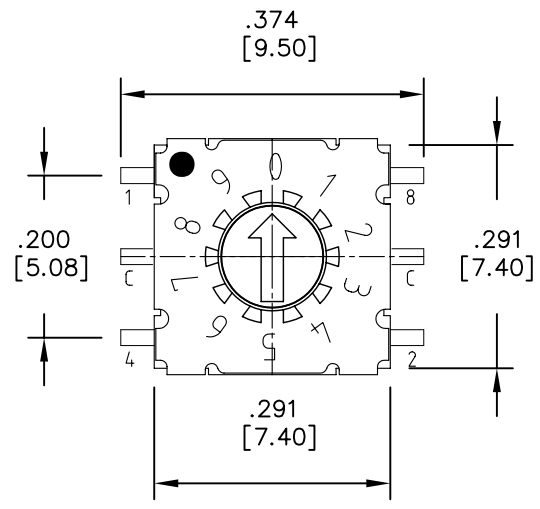
UNLESS OTHERWISE SPECIFIED DIMENSIONS ARE IN MILLIMETERS ANGULAR TOLERANCE: ±1.0°

DIMENSIONS	TOLERANCE
0.00 TO 30.00mm	±0.20mm
30.01 TO 80.00mm	±0.25mm
80.01 TO 150.00mm	±0.30mm
150.01	±0.40mm

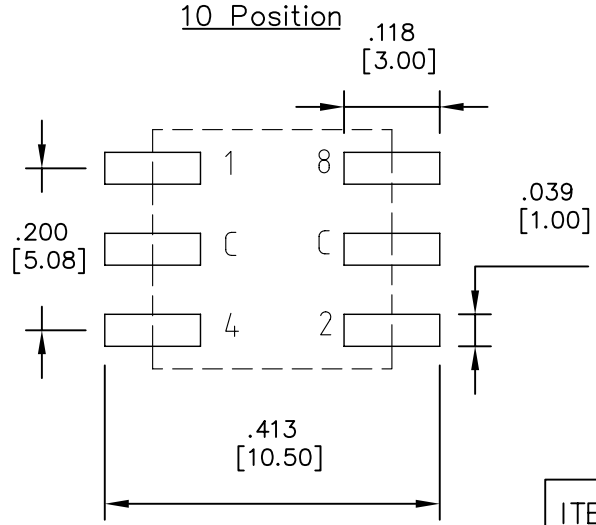
泰瑋電子有限公司  
TAIWAY ELECTRONICS COMPONENTS CO.,LTD.

USED 用途	900B	APPD. 審核	Amy 2010/08/04
FINISH 處理		CHKD. 校對	Amy 2010/08/04
SCALE 比例	4 / 1	UNIT 單位	in(mm)
		DR. 製圖	Amy 2010/08/04
TITLE 名稱	7x7 ROTARY DIP SWITCH		
DWG NO. 圖號	900B-T3-T-R-x		SIZE 圖紙
FILE NAME 檔案名稱	900B-T3-T-R.DWG	SHEET 張	1 / 1
		REV. 更改	1

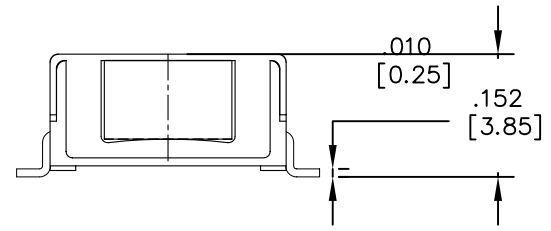
REV. 更改	DESCRIPTION 說明	ENG. 修改人	APPROVE 審核



16 Position



PCB LAYOUT



ITEM NO.	900B-T1-S-R-10
料號	900B-T1-S-R-16

		Real Coded				
		C	1	2	4	8
10 P o s i t i o n	0	●				
	1	●	●			
	2	●		●		
	3	●	●	●		
	4	●			●	
	5	●	●		●	
	6	●		●	●	
	7	●	●	●	●	
	8	●				●
	9	●	●			●
16 P o s i t i o n	A	●		●		●
	B	●	●	●		●
	C	●			●	●
	D	●	●		●	●
	E	●		●	●	●
	F	●	●	●	●	●

SPECIFICATIONS:

- 1.Rating: (Non-switching)400mA 42V, (Switching)100mA 42V.
- 2.Contact Resistance: 80m-ohms max.
- 3.Insulation Resistance: 100M-ohms min.
- 4.Operating Force: 120gf±30gf.
- 5.Life Cycle: 25,000 step.
- 6.Contact & Terminal: Copper alloy, gold plated.

THESE DRAWINGS AND SPECIFICATIONS ARE THE PROPERTY OF TAIWAY ELECTRONICS LTD. AND SHALL NOT BE REPRODUCED COPIED OR USED IN ANY MANNER WITHOUT THE PRIOR WRITTEN CONSENT OF TAIWAY ELECTRONICS LTD.

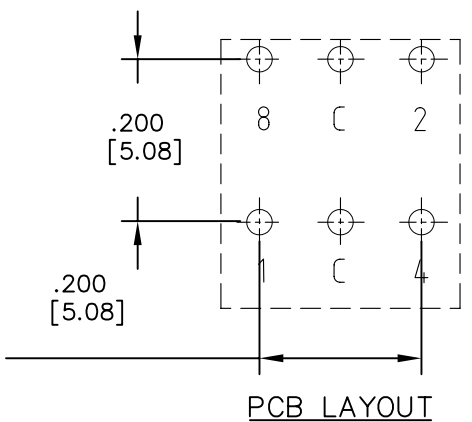
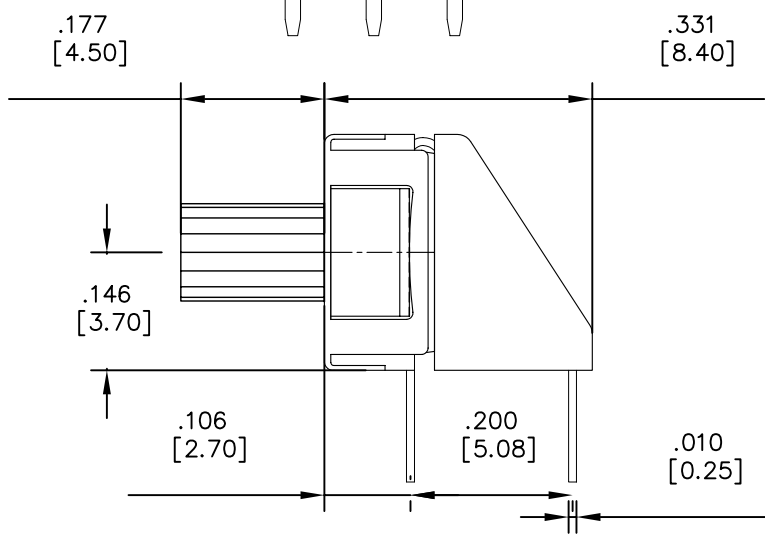
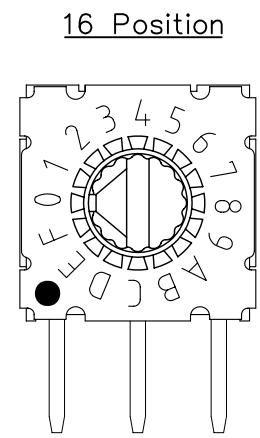
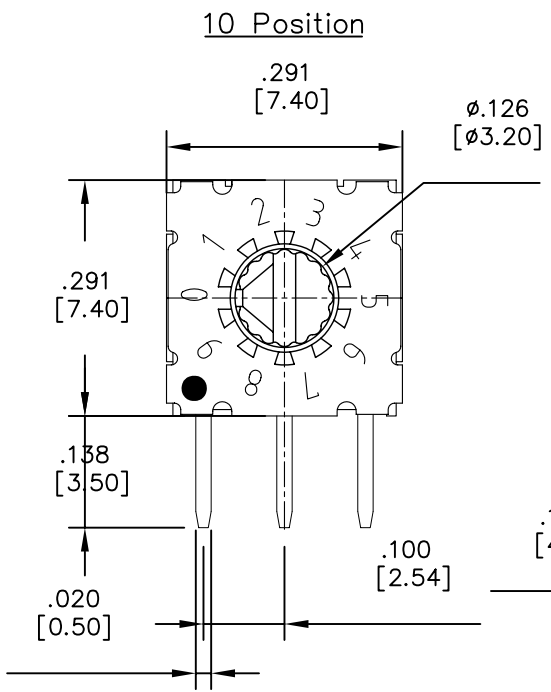
UNLESS OTHERWISE SPECIFIED DIMENSIONS ARE IN MILLIMETERS ANGULAR TOLERANCE: ±1.0°

DIMENSIONS	TOLERANCE
0.00 TO 30.00mm	±0.20mm
30.01 TO 80.00mm	±0.25mm
80.01 TO 150.00mm	±0.30mm
150.01 +	±0.40mm

泰瑋電子有限公司  
TAIWAY ELECTRONICS COMPONENTS CO.,LTD.

USED 用途	900B	APPD. 審核	Amy 2010/08/04
FINISH 處理		CHKD. 校對	Amy 2010/08/04
SCALE 比例	4 / 1	DR. 製圖	Amy 2010/08/04
TITLE 名稱		7x7 ROTARY DIP SWITCH	
DWG NO. 圖號		900B-T1-S-R-x	
FILE NAME 檔案名稱		SHEET 張	1 / 1
		REV. 更改	1

REV. 更改	DESCRIPTION 說明	ENG. 修改人	APPROVE 審核



		Real Coded				
		C	1	2	4	8
10 P o s i t i o n	0	●				
	1	●	●			
	2	●		●		
	3	●	●	●		
	4	●			●	
	5	●	●		●	
	6	●		●		●
	7	●	●	●	●	
	8	●				●
	9	●	●			●
16 P o s i t i o n	A	●		●		●
	B	●	●	●		●
	C	●			●	●
	D	●	●		●	●
	E	●		●	●	●
	F	●	●	●	●	●

ITEM NO.	900B-T2-R-R-10
料號	900B-T2-R-R-16

THESE DRAWINGS AND SPECIFICATIONS ARE THE PROPERTY OF TAIWAY ELECTRONICS LTD. AND SHALL NOT BE REPRODUCED COPIED OR USED IN ANY MANNER WITHOUT THE PRIOR WRITTEN CONSENT OF TAIWAY ELECTRONICS LTD.

UNLESS OTHERWISE SPECIFIED DIMENSIONS ARE IN MILLIMETERS ANGULAR TOLERANCE: ±1.0°

DIMENSIONS	TOLERANCE
0.00 TO 30.00mm	±0.20mm
30.01 TO 80.00mm	±0.25mm
80.01 TO 150.00mm	±0.30mm
150.01 +	±0.40mm

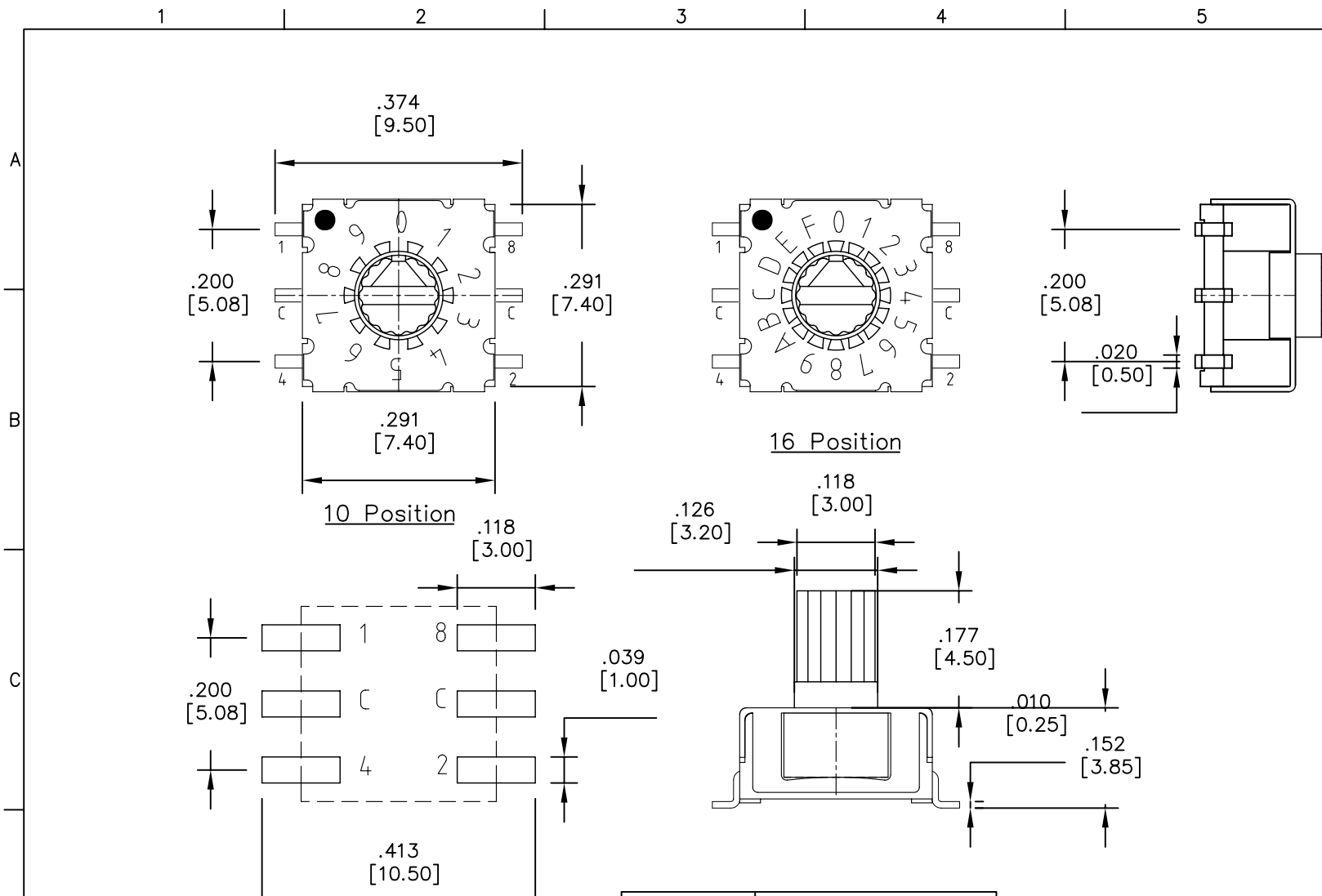
泰瑋電子有限公司  
TAIWAY ELECTRONICS COMPONENTS CO.,LTD.

USED 用途	900B	APPD. 審核	Amy 2010/08/04
FINISH 處理		CHKD. 校對	Amy 2010/08/04
SCALE 比例	4 / 1	DR. 製圖	Amy 2010/08/04

TITLE 名稱	7x7 ROTARY DIP SWITCH		
DWG NO. 圖號	900B-T2-R-R-x		
FILE NAME 檔案名稱	900B-T2-R-R.DWG	SHEET 張	
		REV. 更改	1

- SPECIFICATIONS:
- 1.Rating: (Non-switching)400mA 42V, (Switching)100mA 42V.
  - 2.Contact Resistance: 80m-ohms max.
  - 3.Insulation Resistance: 100M-ohms min.
  - 4.Operating Force: 120gf±30gf.
  - 5.Life Cycle: 25,000 step.
  - 6.Contact & Terminal: Copper alloy, gold plated.

REV. 更改	DESCRIPTION 說明	ENG. 修改人	APPROVE 審核



Complement Coded					
	C	1	2	4	8
10 P o s i t i o n	0	●	●	●	●
	1	●		●	●
	2	●	●		●
	3	●			●
	4	●	●	●	
	5	●		●	●
	6	●	●		●
	7	●			●
	8	●	●	●	
	9	●		●	●
16 P o s i t i o n	A	●	●		●
	B	●			●
	C	●	●	●	
	D	●		●	
	E	●	●		
	F	●			

ITEM NO.	900B-T2-S-C-10
料號	900B-T2-S-C-16

THESE DRAWINGS AND SPECIFICATIONS ARE THE PROPERTY OF TAIWAY ELECTRONICS LTD. AND SHALL NOT BE REPRODUCED COPIED OR USED IN ANY MANNER WITHOUT THE PRIOR WRITTEN CONSENT OF TAIWAY ELECTRONICS LTD.

UNLESS OTHERWISE SPECIFIED DIMENSIONS ARE IN MILLIMETERS ANGULAR TOLERANCE: ±1.0°

DIMENSIONS	TOLERANCE
0.00 TO 30.00mm	±0.20mm
30.01 TO 80.00mm	±0.25mm
80.01 TO 150.00mm	±0.30mm
150.01 I	±0.40mm

泰瑋電子有限公司  
TAIWAY ELECTRONICS COMPONENTS CO.,LTD.

USED 用途	900B	APPD. 審核	Amy 2010/08/04
FINISH 處理		CHKD. 校對	Amy 2010/08/04
SCALE 比例	4 / 1	UNIT 單位	in(mm)
		DR. 製圖	Amy 2010/08/04
TITLE 名稱		7x7 ROTARY DIP SWITCH	
DWG NO. 圖號		900B-T2-S-C-x	
FILE NAME 檔案名稱		SHEET 張	1 / 1
		REV. 更改	1

- SPECIFICATIONS:
- 1.Rating: (Non-switching)400mA 42V, (Switching)100mA 42V.
  - 2.Contact Resistance: 80m-ohms max.
  - 3.Insulation Resistance: 100M-ohms min.
  - 4.Operating Force: 120gf±30gf.
  - 5.Life Cycle: 25,000 step.
  - 6.Contact & Terminal: Copper alloy, gold plated.