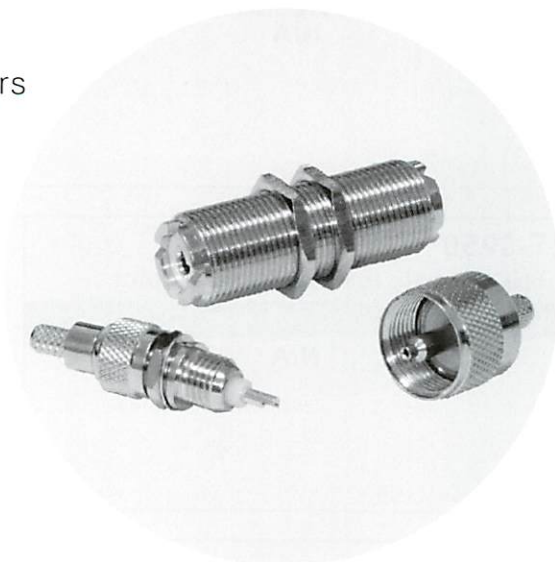


UHF

UHF series are economical and all purpose connectors. They are Designed with a non-constant impedance for use in low frequency applications-including Antenna, Audio, Video, Telecommunications and test equipment, Crimp type cable plugs and jacks are available as well as panel and printed circuit board receptacles.



Electrical:

Impedance		Non-Constant
Working Voltage		500 VRMS max
Dielectric Wuthstanding Voltage		1500 VRMS max
VAWR		Not defined.
Contact Resistance	Center Contact	3 Milliohms Max.
	Outer Contact	2 Milliohms Max.
Insulator Resistance		5000 Megohms min.

Meaterial:

Parts name	Material	Finish
Body, Metal Parts	Brass per QQ-B-626	Nickel
Center Contacts	Male:Brass per QQ-B-626	Gold or Nickel
	Female:Brass per QQ-B-626 or Phosphor Bronze per QQ-B-750	
Insulators	PTFE, Delrin, POM	None
Crimp Ferrules	Annealed copper	Nickel

NOTE:Other Material/Finish is Available on Request.

Mini UHF

MINI UHF series are small size and light weight with excellent electrical characteristics non-constant impedance coaxial connectors designed for many applications MINI UHF connectors provide excellent performance up to 2 GHz providing low installation cost.

They are used for Telecommunications, Cellular mobile phone and other devices.

Electrical:

Impedance		50 ohm
Frequency Range		0-2 GHz
Working Voltage		335 VRMS max
Dielectric Wuthstanding Voltage		1000 VRMS max
VAWR	Straight	1.3 max
	Right Angle	1.5 max
Contact Resistance	Center Contact	5 Milliohms Max.
	Outer Contact	3 Milliohms Max.
Insulator Resistance		5000 Megohms min.

Meaterial:

Parts name	Material	Finish
Body, Metal Parts	Brass per QQ-B-626 or	Nickel
Center Contacts	Male:Brass per QQ-B-626	Gold
	Female:Brass per QQ-B-626 Phosphor Bronze per QQ-B-750	
Insulators	PTFE, Delrin, POM	None
Crimp Ferrules	Annealed copper	Nickel

NOTE:Other Material/Finish is Available on Request.

Mechanical & Environmental:

Engagement Force	2 in-lbs. max.
Disengagement Force	2 in-lbs. max.
Contact Nut Retention	80 lbs. min.
Coupling Proof Torque	15 lbs. min
Coupling Retention	6 lbs. min
Durability(Mating)	500 cycles min. (For Beryllium copper female contact only)
Temperature Range	-65°C to 165°C
Vibration	MIL-STD-202 Method 204 Test Cond.B.
Salt Spray	MIL-STD-202 Method 101 Test Cond.B.

UHF/Mini UHF

UHF Series

UHF/Mini UHF

U-6001
UHF Male Crimp

P/N	CABLE GROUP	IMPEDANCE
6001	RG-58/U	50
	RG-59/U	75
	RG-6/U	75
	RG-213/U	50

U-6002
UHF Male Molded Crimp

P/N	CABLE GROUP	IMPEDANCE
6002	RG-58/U	50
	RG-59/U	75
	RG-6/U	75

U-6003
UHF Male Clamp

P/N	CABLE GROUP	IMPEDANCE
6003	RG-58/U	50
	RG-59/U	75
	RG-6/U	75
	RG-213/U	50

U-6004
UHF Male Clamp

P/N	CABLE GROUP	IMPEDANCE
6004	RG-58/U	50
	RG-59/U	75
	RG-6/U	75
	RG-213/U	50

U-6005
UHF Male Clamp Large

P/N	CABLE GROUP	IMPEDANCE
6005	N/A	50

U-6006
UHF Male Twist On

P/N	CABLE GROUP	IMPEDANCE
6006	N/A	50

UHF Series

UHF/Mini UHF

U-6007 UHF Connector				
P/N	CABLE GROUP	IMPEDANCE		
6007	RG-58/U RG-59/U RG-6/U	50 75 75		

U-6008 UHF Male Without Thead				
P/N	CABLE GROUP	IMPEDANCE		
6008	N/A	50		

U-6009 Reducer Used With U-6008				
P/N	CABLE GROUP	IMPEDANCE		
6009	RG-58/U RG-59/U RG-6/U	50 75 75		

U-6010 UHF Male Twist On				
P/N	CABLE GROUP	IMPEDANCE		
6010	N/A	50		

U-6011 UHF Male Twist On				
P/N	CABLE GROUP	IMPEDANCE		
6011	RG-58/U RG-59/U	50 75		

U-6012 UHF Male Twist On				
P/N	CABLE GROUP	IMPEDANCE		
6012	RG-58/U	50		

UHF Series

UHF/Mini UHF

U-6013 UHF Male Right Angle Twist On				
P/N	CABLE GROUP	IMPEDANCE		
6013	RG-58/U RG-59/U RG-213/U	50 75 50		

U-6014 UHF Male Connector				
P/N	CABLE GROUP	IMPEDANCE		
6014	N/A	50		

U-6015 UHF Male Rapid Connector				
P/N	CABLE GROUP	IMPEDANCE		
6015	N/A	50		

U-6016 UHF Male Connector				
P/N	CABLE GROUP	IMPEDANCE		
6016	N/A	50		

U-6017 UHF Female Crimp				
P/N	CABLE GROUP	IMPEDANCE		
6017	RG-58/U	50		

U-6018 UHF Female Panel Receptacle				
P/N	CABLE GROUP	IMPEDANCE		
6018	N/A	50		

UHF Series

UHF/Mini UHF

U-6019 UHF Female Bulkhead				
P/N	CABLE GROUP	IMPEDANCE		
6019	N/A	50		

U-6020 UHF Female Bulkhead				
P/N	CABLE GROUP	IMPEDANCE		
6020	N/A	50		

U-6021 UHF Female Right Angle Twist On				
P/N	CABLE GROUP	IMPEDANCE		
6021	RG-58/U RG-59/U RG-213/U	50 75 50		

U-6022 UHF Female Right Angle Twist On				
P/N	CABLE GROUP	IMPEDANCE		
6022	RG-58/U RG-59/U RG-213/U	50 75 50		

U-6023 UHF Female Right Angle Twist On				
P/N	CABLE GROUP	IMPEDANCE		
6023	N/A	50		

U-6024 UHF Female Connector				
P/N	CABLE GROUP	IMPEDANCE		
6024	N/A	50		

UHF Series

UHF/Mini UHF

U-6025
UHF Double Male Adaptor

P/N	CABLE GROUP	IMPEDANCE
6025	N/A	50

U-6026
UHF Male to RCA Female Adaptor

P/N	CABLE GROUP	IMPEDANCE
6026	N/A	50

U-6027
UHF Male to Female Adaptor

P/N	CABLE GROUP	IMPEDANCE
6027	N/A	50

U-6028
UHF Male to Female Adaptor Right Angle

P/N	CABLE GROUP	IMPEDANCE
6028	N/A	50

U-6029
UHF Male to UHF Female Quick Adaptor

P/N	CABLE GROUP	IMPEDANCE
6029	N/A	50

U-6030
UHF Male to Mini UHF Female Adaptor

P/N	CABLE GROUP	IMPEDANCE
6030	N/A	50

UHF Series

U-6031 UHF Male to N Male Adaptor				
P/N	CABLE GROUP	IMPEDANCE		
6031	N/A	50		
U-6032 UHF Male to N Female Adaptor				
P/N	CABLE GROUP	IMPEDANCE		
6032	N/A	50		
U-6033 UHF Double Female Adaptor				
P/N	CABLE GROUP	IMPEDANCE		
6033	N/A	50		
U-6034 UHF Double Female Adaptor				
P/N	CABLE GROUP	IMPEDANCE		
6034	N/A	50		
U-6035 UHF Double Female Bulkhead Adaptor				
P/N	CABLE GROUP	IMPEDANCE		
6035	N/A	50		
U-6036 UHF Female to Mini UHF Male Adaptor				
P/N	CABLE GROUP	IMPEDANCE		
6036	N/A	50		

UHF Series

UHF/Mini UHF

U-6037 UHF Female to N Male Adaptor				
P/N	CABLE GROUP	IMPEDANCE		
6037	N/A	50		

U-6038 UHF Female to 3.5 Mono Male Adaptor				
P/N	CABLE GROUP	IMPEDANCE		
6038	N/A	50		

U-6039 UHF Triple Female Adaptor				
P/N	CABLE GROUP	IMPEDANCE		
6039	N/A	50		

U-6040 UHF Male to Double UHF Female Adaptor				
P/N	CABLE GROUP	IMPEDANCE		
6040	N/A	50		

P/N	CABLE GROUP	IMPEDANCE

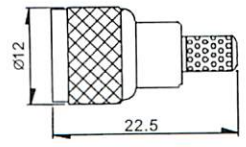

P/N	CABLE GROUP	IMPEDANCE

Mini UHF Series

UHF/Mini UHF

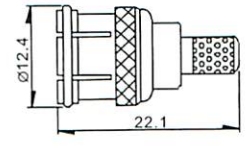

H-6101
Mini UHF Male Crimp

P/N	CABLE GROUP	IMPEDANCE
6101	RG-58/U RG-59/U RG-6/U	50 75 75

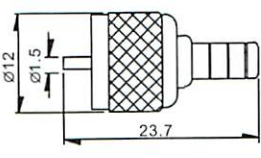

H-6102
Mini UHF Male Push On Crimp

P/N	CABLE GROUP	IMPEDANCE
6102	RG-58/U	50

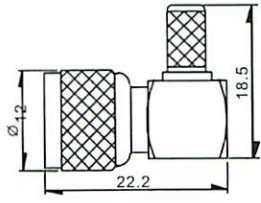

H-6103
Mini UHF Male Crimp

P/N	CABLE GROUP	IMPEDANCE
6103	RG-58/U RG-59/U	50 75

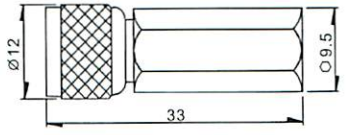

H-6104
Mini UHF Male Right Angle Crimp

P/N	CABLE GROUP	IMPEDANCE
6104	RG-58/U RG-59/U	50 75

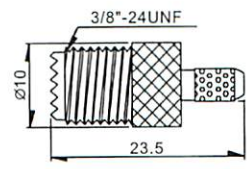

H-6105
Mini UHF Male Twist On

P/N	CABLE GROUP	IMPEDANCE
6105	RG-58/U RG-59/U RG-6/U	50 75 75

H-6106
Mini UHF Female Crimp

P/N	CABLE GROUP	IMPEDANCE
6106	RG-58/U	50

Mini UHF Series

UHF/Mini UHF

H-6107 Mini UHF Female Bulkhead				
P/N	CABLE GROUP	IMPEDANCE		
6107	N/A	50		

H-6108 Mini UHF Double Male Adaptor				
P/N	CABLE GROUP	IMPEDANCE		
6108	N/A	50		

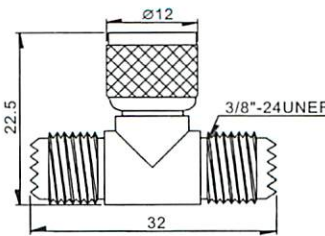

H-6109 Mini UHF Male to Female Adaptor Right Angle				
P/N	CABLE GROUP	IMPEDANCE		
6109	N/A	50		

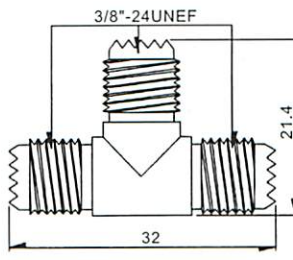

H-6110 Mini UHF Male to N Female Adaptor				
P/N	CABLE GROUP	IMPEDANCE		
6110	N/A	50		

H-6111 Mini UHF Double Female Adaptor				
P/N	CABLE GROUP	IMPEDANCE		
6111	N/A	50		

H-6112 Mini UHF Female to N Male Adaptor				
P/N	CABLE GROUP	IMPEDANCE		
6112	N/A	50		

Mini UHF Series

H-6113 Mini UHF Male to Double Female Adaptor				
P/N	CABLE GROUP	IMPEDANCE		
6113	N/A	50		

H-6114 Mini UHF Triple Female Adaptor				
P/N	CABLE GROUP	IMPEDANCE		
6114	N/A	50		

P/N	CABLE GROUP	IMPEDANCE		

P/N	CABLE GROUP	IMPEDANCE		

P/N	CABLE GROUP	IMPEDANCE		

P/N	CABLE GROUP	IMPEDANCE		

UHF/Mini UHF