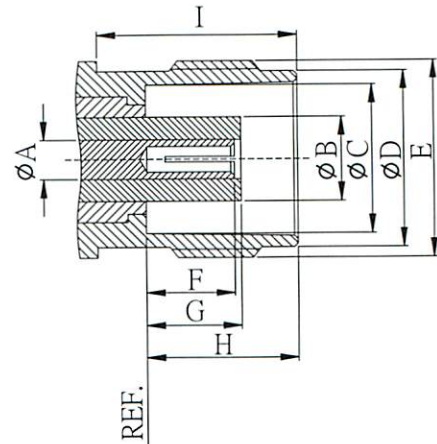
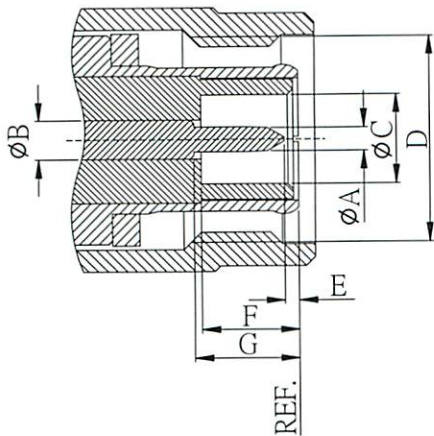


TNC connectors are miniature with 50 ohm impedance, light weight and operate satisfactorily from DC to 11GHz. While similar to BNC, the TNC connector features threaded couplings where vibration and shock are design, considerations. A broad variety of mounting styles and cable fixing options are available.



TNC

Interface dimensions:



MALE(PLUG) mm		
	Min.	Max.
A	1.32	1.37
B	2.06	2.21
C	4.83	-
D	7/16"-28UNEF-2B	
E	0.08	-
F	5.28	5.79
G	5.33	5.84

FEMALE(JACK) mm		
	Min.	Max.
A	2.06	2.21
B	-	4.72
C	8.10	8.15
D	9.60	9.70
E	7/16"-28UNEF-2A	
F	4.72	5.23
G	4.78	5.28
H	8.31	8.51
I	10.52	-

Electrical:

Impedance		50 ohm	75 ohm
Frequency Range		0-4 GHz	0-1 GHz
Working Voltage		500 VRMS max	
Dielectric Wuthstanding Voltage		1500 VRMS max	
VAWR	Straight	1.3 max	
	Right Angle	1.5 max	
Contact Resistance	Center Contact	3 Milliohms Max.	
	Outer Contact	2 Milliohms Max.	
Insulator Resistance		5000 Megohms min.	

Meaterial:

Parts name	Material	Finish
Body, Metal Parts	Brass per QQ-B-626	Nickel, Silver or ENI per requirement
Center Contacts	Male:Brass per QQ-B-626	Gold or Sliver per requirement
	Female: Brass per QQ-B-626 Phosphor Bronze per QQ-B-750 Beryllium copper per QQ-C-530	Gold
	Insulators	PTFE
Crimp Ferrules	Annealed copper	Nickel, Silver or ENI per requirement
Clamp Gaskets	Silicone rubber, Synthetic rubber	None

NOTE:Other Material/Finish is Available on Request.

Mechanical & Environmental:

Mating	7/16-28 UNEF-2A threaded coupling
Engagement Force	2 in-lbs. max.
Disengagement Force	2 in-lbs. max.
Contact Nut Retention	100 lbs. min.
Coupling Proof Torque	15 lbs. min
Coupling Retention	6 lbs. min
Durability(Mating)	500 cycles min. (for Beryllium copper female contact only)
Temperature Range	-65°C to 165°C
Vibration	MIL-STD-202 Method 204 Test Cond.B.
Salt Spray	MIL-STD-202 Method 201 Test Cond.B.
Thermal Shock	MIL-STD-202 Method 107 Test Cond.B.

TNC Series

TNC

T-5901
TNC Male Crimp

P/N	CABLE GROUP	IMPEDANCE
5901	RG-58/U	50
	RG-59/U	75
	RG-6/U	75
	RG-174/U	50
	RG-213/U	50

T-5902
TNC Male Quick Crimp

P/N	CABLE GROUP	IMPEDANCE
5902	RG-58/U	50
	RG-59/U	75
	RG-6/U	75
	RG-174/U	50

T-5903
TNC Male Crimp

P/N	CABLE GROUP	IMPEDANCE
5903	RG-58/U	50
	RG-59/U	75
	RG-6/U	75
	RG-174/U	50

T-5904
TNC Push On Crimp

P/N	CABLE GROUP	IMPEDANCE
5904	RG-58/U	50
	RG-59/U	75
	RG-6/U	75

T-5905
TNC Male Molded & Crimp (OD:9.5m/m)

P/N	CABLE GROUP	IMPEDANCE
5905	RG-58/U	50
	RG-59/U	75
	RG-6/U	75
	RG-174/U	50

T-5906
TNC Male Right Angle Crimp

P/N	CABLE GROUP	IMPEDANCE
5906	RG-58/U	50
	RG-59/U	75
	RG-6/U	75

TNC Series

TNC

T-5907
TNC Male Right Angle Quick Crimp

P/N	CABLE GROUP	IMPEDANCE
5907	RG-58/U	50
	RG-59/U	75
	RG-6/U	75
	RG-174/U	50

T-5908
TNC Male Clamp

P/N	CABLE GROUP	IMPEDANCE
5908	RG-58/U	50
	RG-59/U	75
	RG-6/U	75
	RG-174/U	50

T-5909
TNC Male Clamp

P/N	CABLE GROUP	IMPEDANCE
5909	RG-58/U	50
	RG-59/U	75
	RG-6/U	50

T-5910
TNC Male Clamp Lock Type

P/N	CABLE GROUP	IMPEDANCE
5910	N/A	50

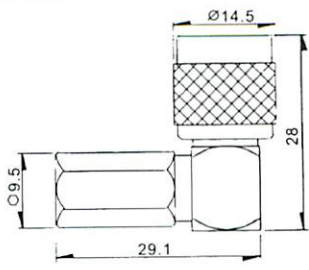

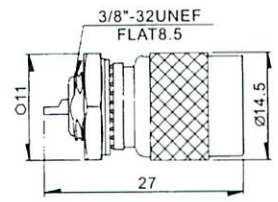

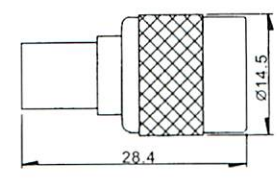

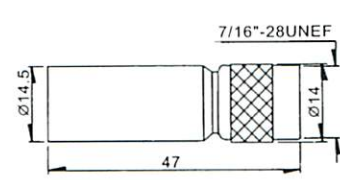

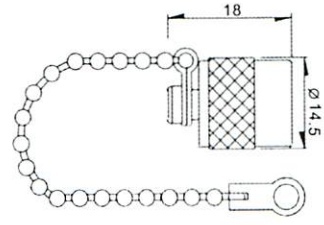

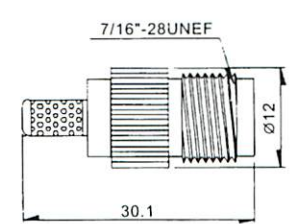

T-5911
TNC Male Right Angle Clamp

P/N	CABLE GROUP	IMPEDANCE
5911	RG-58/U	50
	RG-59/U	75
	RG-6/U	75

T-5912
TNC Male Twist On

P/N	CABLE GROUP	IMPEDANCE
5912	RG-58/U	50
	RG-59/U	75
	RG-6/U	75

TNC Series

T-5913 TNC Male Right Angle Twist On							
<table border="1"> <thead> <tr> <th>P/N</th> <th>CABLE GROUP</th> <th>IMPEDANCE</th> </tr> </thead> <tbody> <tr> <td>5913</td> <td>RG-58/U RG-59/U RG-6/U</td> <td>50 75 75</td> </tr> </tbody> </table>	P/N	CABLE GROUP			IMPEDANCE	5913	RG-58/U RG-59/U RG-6/U
P/N	CABLE GROUP	IMPEDANCE					
5913	RG-58/U RG-59/U RG-6/U	50 75 75					
T-5914 TNC Male Bulkhead							
<table border="1"> <thead> <tr> <th>P/N</th> <th>CABLE GROUP</th> <th>IMPEDANCE</th> </tr> </thead> <tbody> <tr> <td>5914</td> <td>N/A</td> <td>50</td> </tr> </tbody> </table>	P/N	CABLE GROUP			IMPEDANCE	5914	N/A
P/N	CABLE GROUP	IMPEDANCE					
5914	N/A	50					
T-5915 TNC Male Terminator							
<table border="1"> <thead> <tr> <th>P/N</th> <th>CABLE GROUP</th> <th>IMPEDANCE</th> </tr> </thead> <tbody> <tr> <td>5915</td> <td>N/A</td> <td>50 75 93</td> </tr> </tbody> </table>	P/N	CABLE GROUP			IMPEDANCE	5915	N/A
P/N	CABLE GROUP	IMPEDANCE					
5915	N/A	50 75 93					
T-5916 TNC Male Antenna Mount							
<table border="1"> <thead> <tr> <th>P/N</th> <th>CABLE GROUP</th> <th>IMPEDANCE</th> </tr> </thead> <tbody> <tr> <td>5916</td> <td>N/A</td> <td>50</td> </tr> </tbody> </table>	P/N	CABLE GROUP			IMPEDANCE	5916	N/A
P/N	CABLE GROUP	IMPEDANCE					
5916	N/A	50					
T-5917 TNC Female Protective Cap							
<table border="1"> <thead> <tr> <th>P/N</th> <th>CABLE GROUP</th> <th>IMPEDANCE</th> </tr> </thead> <tbody> <tr> <td>5917</td> <td>N/A</td> <td>50</td> </tr> </tbody> </table>	P/N	CABLE GROUP			IMPEDANCE	5917	N/A
P/N	CABLE GROUP	IMPEDANCE					
5917	N/A	50					
T-5918 TNC Female Crimp							
<table border="1"> <thead> <tr> <th>P/N</th> <th>CABLE GROUP</th> <th>IMPEDANCE</th> </tr> </thead> <tbody> <tr> <td>5918</td> <td>RG-58/U RG-59/U RG-6/U RG-174/U</td> <td>50 75 75 50</td> </tr> </tbody> </table>	P/N	CABLE GROUP			IMPEDANCE	5918	RG-58/U RG-59/U RG-6/U RG-174/U
P/N	CABLE GROUP	IMPEDANCE					
5918	RG-58/U RG-59/U RG-6/U RG-174/U	50 75 75 50					

TNC

TNC Series

TNC

T-5919 TNC Female Panel Crimp				
P/N	CABLE GROUP	IMPEDANCE		
5919	RG-58/U RG-59/U RG-6/U RG-174/U	50 75 75 50		

T-5920 TNC Female Bulkhead Crimp				
P/N	CABLE GROUP	IMPEDANCE		
5920	RG-58/U RG-59/U RG-6/U RG-174/U	50 75 75 50		

T-5921 TNC Female Clamp				
P/N	CABLE GROUP	IMPEDANCE		
5921	RG-58/U RG-59/U RG-6/U	50 75 75		

T-5922 TNC Female Panel Clamp				
P/N	CABLE GROUP	IMPEDANCE		
5922	RG-58/U RG-59/U RG-6/U	50 75 75		

T-5923 TNC Female Twist On				
P/N	CABLE GROUP	IMPEDANCE		
5923	RG-58/U RG-59/U RG-6/U	50 75 75		

T-5924 TNC Female Bulkhead				
P/N	CABLE GROUP	IMPEDANCE		
5924	N/A	50		

TNC Series

TNC

T-5925 TNC Female Panel Mount				
P/N	CABLE GROUP	IMPEDANCE		
5925	N/A	50		

T-5926 TNC Female Panel Mount				
P/N	CABLE GROUP	IMPEDANCE		
5926	N/A	50		

T-5927 TNC Female Right Angle Bulkhead				
P/N	CABLE GROUP	IMPEDANCE		
5927	N/A	50		

T-5928 TNC Male Protective Cap				
P/N	CABLE GROUP	IMPEDANCE		
5928	N/A	50		

T-5929 TNC Male to TNC Male Adaptor				
P/N	CABLE GROUP	IMPEDANCE		
5929	N/A	50		

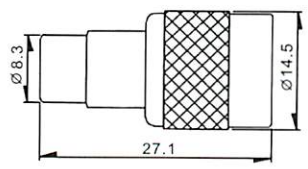

T-5930 TNC Male to RCA Male Adaptor				
P/N	CABLE GROUP	IMPEDANCE		
5930	N/A	50		

TNC Series

TNC

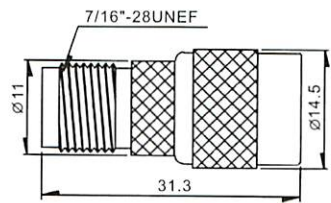

T-5931
TNC Male to RCA Female Adaptor

P/N	CABLE GROUP	IMPEDANCE
5931	N/A	50

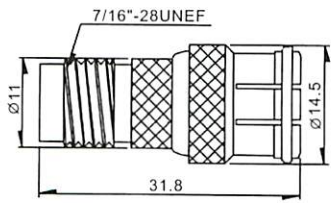

T-5932
TNC Male to TNC Female Adaptor

P/N	CABLE GROUP	IMPEDANCE
5932	N/A	50

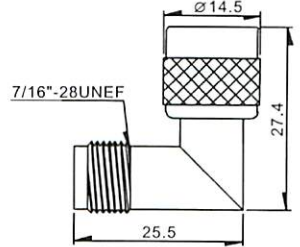

T-5933
TNC Push On Male to TNC Female Adaptor

P/N	CABLE GROUP	IMPEDANCE
5933	N/A	50

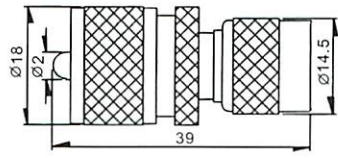

T-5934
TNC Male to Female Adaptor Right Angle

P/N	CABLE GROUP	IMPEDANCE
5934	N/A	50

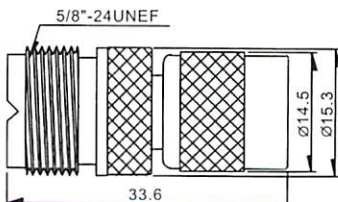

T-5935
TNC Male to UHF Male Adaptor

P/N	CABLE GROUP	IMPEDANCE
5935	N/A	50

T-5936
TNC Male to UHF Female Adaptor

P/N	CABLE GROUP	IMPEDANCE
5936	N/A	50

TNC Series

TNC

T-5937 TNC Male to Mini UHF Female Adaptor				
P/N	CABLE GROUP	IMPEDANCE		
5937	N/A	50		

T-5938 TNC Male to N Male Adaptor				
P/N	CABLE GROUP	IMPEDANCE		
5938	N/A	50		

T-5939 TNC Male to N Female Adaptor				
P/N	CABLE GROUP	IMPEDANCE		
5939	N/A	50		

T-5940 TNC Double Female Adaptor				
P/N	CABLE GROUP	IMPEDANCE		
5940	N/A	50		

T-5941 TNC Double Female Bulkhead Adaptor				
P/N	CABLE GROUP	IMPEDANCE		
5941	N/A	50		

T-5942 TNC Double Female Panel Mount Adaptor				
P/N	CABLE GROUP	IMPEDANCE		
5942	N/A	50		

TNC Series

TNC

T-5943 TNC Female to RCA Male Adaptor				
P/N	CABLE GROUP	IMPEDANCE		
5943	N/A	50		

T-5944 TNC Female to UHF Male Adaptor				
P/N	CABLE GROUP	IMPEDANCE		
5944	N/A	50		

T-5945 TNC Female to UHF Female Adaptor				
P/N	CABLE GROUP	IMPEDANCE		
5945	N/A	50		

T-5946 TNC Female to Mini UHF Male Adaptor				
P/N	CABLE GROUP	IMPEDANCE		
5946	N/A	50		

T-5947 TNC Female to Mini UHF Female Adaptor				
P/N	CABLE GROUP	IMPEDANCE		
5947	N/A	50		

T-5948 TNC Female to Mini UHF Male Adaptor Right Angle				
P/N	CABLE GROUP	IMPEDANCE		
5948	N/A	50		

TNC Series

TNC

T-5949 TNC Female to N Male Adaptor				
P/N	CABLE GROUP	IMPEDANCE		
5949	N/A	50		

T-5950 TNC Female to NEC Male Adaptor				
P/N	CABLE GROUP	IMPEDANCE		
5950	N/A	50		

T-5951 TNC Tripe Male Adaptor				
P/N	CABLE GROUP	IMPEDANCE		
5951	N/A	50		

T-5952 TNC Male to Double TNC Female Adaptor				
P/N	CABLE GROUP	IMPEDANCE		
5952	N/A	50		

T-5953 TNC Triple Female Adaptor				
P/N	CABLE GROUP	IMPEDANCE		
5953	N/A	50		

T-5954 TNC Male to Double BNC Female Adaptor				
P/N	CABLE GROUP	IMPEDANCE		
5954	N/A	50		