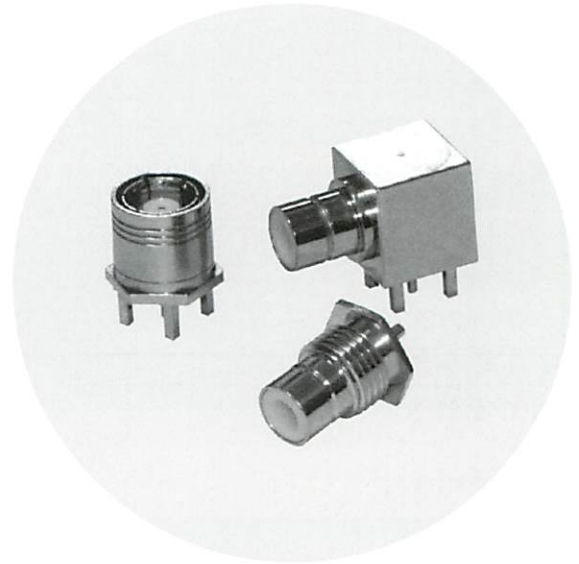
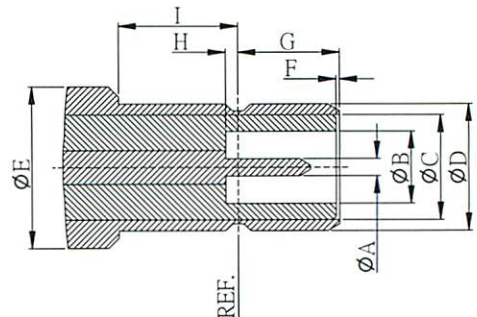
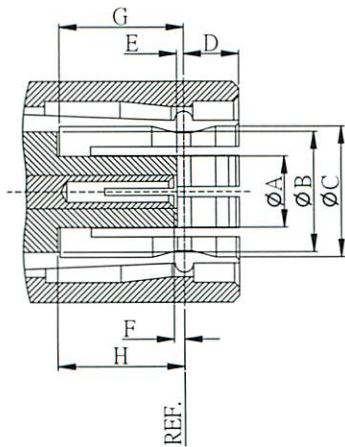


SMZ edge-mount P.C. board connectors are micro-miniature connectors with 50 ohm (frequency up to 6GHz) and 75 ohm (up to 3GHz) impedance and can offer quick, convenient assembly with no board drilling required, and can replace more expensive right-angle types in many applications. These connectors utilize a reduced contact diameter and air dielectric to achieve 50 ohm & 75 ohm impedance in the compact size of SMB series connectors. This makes them ideal for use in applications requiring dense packing.



BT43

Interface dimensions:



MALE(PLUG) mm		
	Min.	Max.
A	-	3.33
B	5.60 nom.	
C	6.25	-
D	-	-
E	0.23	0.48
F	0.23	0.38
G	3.61	3.77
H	3.63	3.83

FEMALE(JACK) mm		
	Min.	Max.
A	0.48	0.53
B	3.35	-
C	5.60 nom.	
D	6.20	6.25
E	-	7.94
F	0.00	-
G	3.33	3.58
H	-	0.18
I	3.01	-

BT43

Electrical:

Impedance		75 ohm
Frequency Range		0-3 GHz
Working Voltage		500 VRMS max
Dielectric Withstanding Voltage		1500 VRMS min
VSWR	Straight	1.3 max
	Right Angle	1.5 max
Contact Resistance	Center Contact	5 Milliohms Max.
	Outer Contact	2.5 Milliohms Max.
Insulator Resistance		5000 Megohms min.

Material:

Parts Name	Material	Finish
Body, Metal Parts	Brass per QQ-B-626	Nickel or Gold per requirement
Center Contacts	Male:Brass per QQ-B-626	Nickel or Gold per requirement
	Female:Beryllium copper per QQ-C-530 or Phosphor Bronze per QQ-B-750	
Insulators	PTFE	None
Outer Contact of male	Beryllium copper per QQ-C-530 Phosphor Bronze per QQ-B-750	Gold
Crimp Ferrules	Annealed copper	Nickel or Gold per requirement

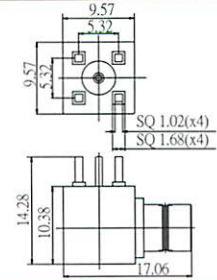

※In general all Type 43 series connector bodies are gold plated in mating areas

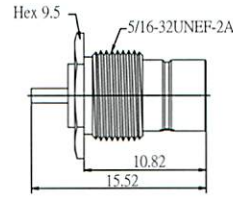

Mechanical & Environmental:

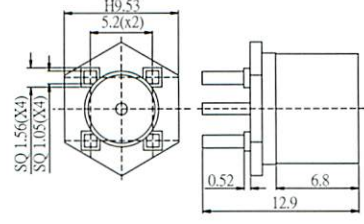

Mechanical endurance	250 matings
Cable Retention(Plug Connectors)	220 N min.
Cable Retention(Socket Connectors)	220 N min.
Cable Contact Retention(Plug Connectors)	22 N min.)
Cable Contact Retention(Socket Connectors)	22 N min.)
Weight	10g (grams) typical
Temperature Range	-40°C to 100°C
Vibration	MIL-STD-202 Method 107
Salt Spray	MIL-STD-202 Method 103, Condition B.
Thermal Shock	MIL-STD-202 Method 213, Condition B.

SMZ(BT43) Series

BT43

Z-5301 SMZ Male Right Angle PCB Mount				
P/N	CABLE GROUP	IMPEDANCE		
5301	N/A	50		

S-5302 SMZ Male BHD				
P/N	CABLE GROUP	IMPEDANCE		
5302	N/A	50		

S-5303 SMZ Female PCB Mount				
P/N	CABLE GROUP	IMPEDANCE		
5303	N/A	50		

P/N	CABLE GROUP	IMPEDANCE

P/N	CABLE GROUP	IMPEDANCE

P/N	CABLE GROUP	IMPEDANCE