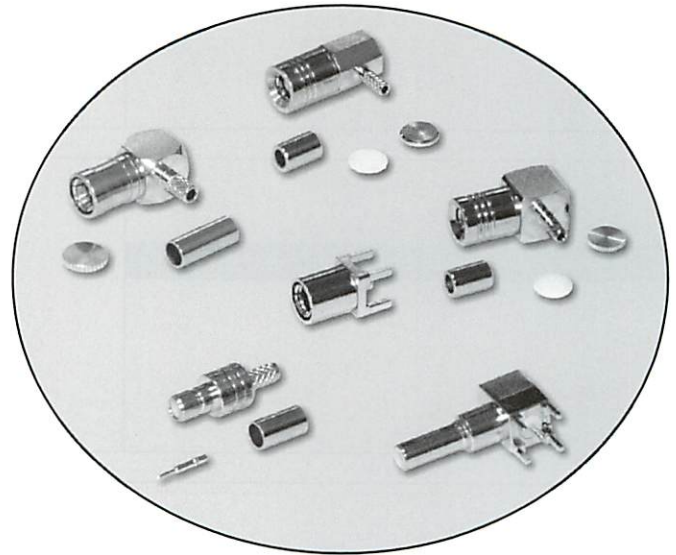
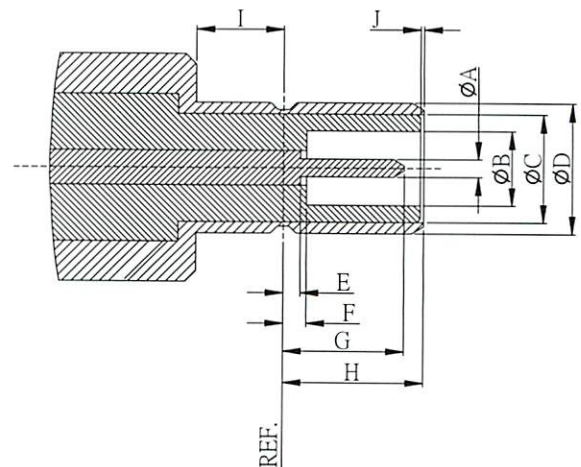
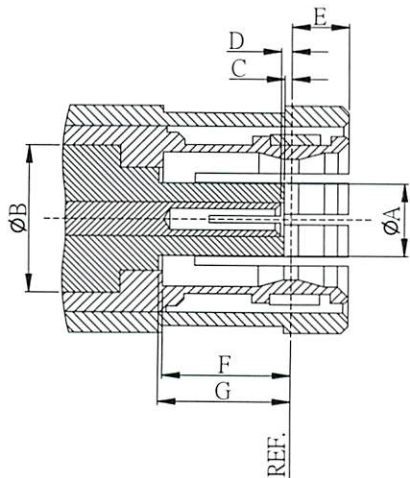


SMB connectors are subminiature connectors with a quick connect/disconnect snap-on mating which are available in 50 ohm & 75 ohm which can operate frequency up to 4GHz and 2-3GHz. The applications for the SMB connector are inter- or intra-board connections of RF or digital signals. SMC connector is similar in design as the SMB, but with smaller sizes & thread coupling. SMC also can provide good performance which is available for 50 ohm (frequency up to 4GHz) and 75 ohm (up to 2-3GHz) and can be used primarily in applications for microwave telephony and other telecommunication requirements.



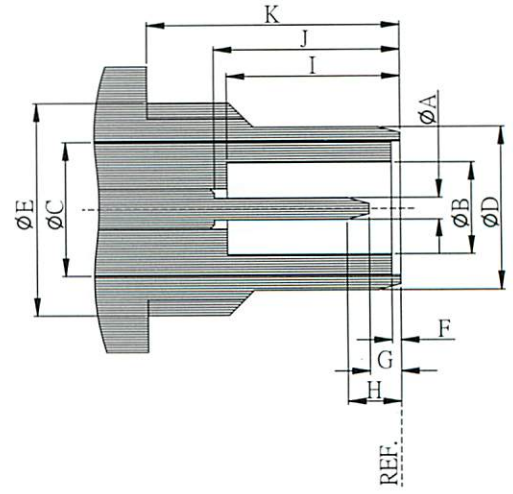
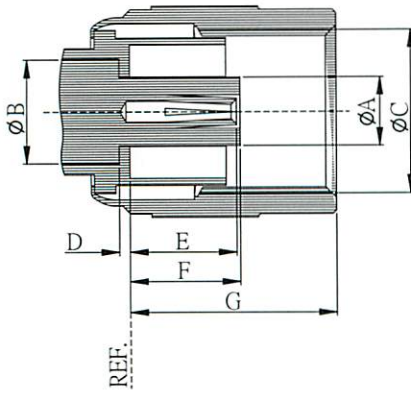
Interface dimensions:



MALE (PLUG) mm		
	Min.	Max.
A	-	2.06
B	3.05 nom.	
C	0.18	-
D	0.18	0.94
E	-	1.63
F	3.58	-
G	3.58	-

FEMALE (JACK) mm		
	Min.	Max.
A	0.48	0.53
B	2.08	-
C	3.05 nom.	
D	3.66	3.71
E	-	0.18
F	-	0.18
G	-	2.97
H	3.33	3.58
I	1.65	-
J	0.00	-

Interface dimensions:



MALE(PLUG) mm		
	Min.	Max.
A	-	2.60
B	3.05 nom.	
C	#10-32UNF-2B	
D	0.00	-
E	2.85	3.40
F	-	3.40
G	-	5.92

FEMALE(JACK) mm		
	Min.	Max.
A	0.48	0.53
B	2.08	-
C	3.05 nom.	
D	-	3.71
E	#10-32UNF-2A	
F	0.00	-
G	0.61	-
H	-	2.13
I	3.40	-
J	3.40	-
	5.94	-

Electrical:

SMB

		SMB	SMC
Impedance		50 ohm	50 ohm
Frequency Range		0~4GHz	0~10GHz
Working Voltage		RG-178:250 VRMS max. RG-316,.085" :335 VRMS max.	
Dielectric Withstanding Voltage		RG-178:750 VRMS min. RG-316,.085" :1000 VRMS min.	
VSWR	Straight	1.3 max	
	Right Angle	1.5 max	
Contact Resistance	Center Contact	6 Milliohms Max.	
	Outer Contact	2.5 Milliohms Max.	
Insulator Resistance		1,000 Megohms min.	

Material:

Parts Name	Material	Finish
Body, Metal Parts	Brass per QQ-B-626	Nickel or Gold per requirement
Center Contacts	Male: Brass per QQ-B-626	Gold
	Female: Beryllium copper per QQ-B-530	Gold
Insulators	PTFE	None
Crimp Ferrules	Annealed Copper	Nickel or Gold per requirement
Crimp Gaskets	Silicone rubber	None

NOTE: Other Material/Finish is Available on Request.

Mechanical & Environmental:

	SMB	SMC
Engagement Force	8 lbs. max.	16 in-ozs. max.
Disengagement Force	8 lbs. min.	16 in-ozs. max.
Coupling Nut Retention	Not applicable	35 lbs.min.
Coupling Proof Torque	Not applicable	100 in-ozs.
Contact Retention	4lbs. min.	4lbs. min.
Durability (Mating)	500 cycles min. (for Beryllium copper female contact only)	500 cycles min. (for Beryllium copper female contact only)
Temperature Range	-65°C to 165°C	
Vibration	MIL-STD-202 Method 204 Test Cond. B.	
Salt Spray	MIL-STD-202 Method 101 Test Cond. B.	
Thermal Shock	MIL-STD-202 Method 107 Test Cond. B.	

SMB Series

S-5101
SMB Male Crimp

P/N	CABLE GROUP	IMPEDANCE
5101	RG-174/U	50
	RG-188/U	50
	RG-316/U	50
	RG-179/U	75

S-5102
SMB Male Crimp

P/N	CABLE GROUP	IMPEDANCE
5102	RG-174/U	50
	RG-188/U	50
	RG-316/U	50
	RG-179/U	75

S-5103
SMB Male Right Angle Crimp

P/N	CABLE GROUP	IMPEDANCE
5103	RG-174/U	50
	RG-188/U	50
	RG-316/U	50

S-5104
SMB Male Clamp

P/N	CABLE GROUP	IMPEDANCE
5104	RG-174/U	50
	RG-188/U	50
	RG-316/U	50

S-5105
SMB Male Right Angle Clamp

P/N	CABLE GROUP	IMPEDANCE
5105	RG-174/U	50
	RG-188/U	50
	RG-316/U	50

S-5106
SMB Male PCB Mount

P/N	CABLE GROUP	IMPEDANCE
5106	N/A	50
		75

SMB Series

SMB/SMC

S-5107
SMB Male Right Angle PCB Mount

P/N	CABLE GROUP	IMPEDANCE
5107	N/A	50

S-5108
SMB Female Crimp

P/N	CABLE GROUP	IMPEDANCE
5108	RG-174/U	50
	RG-188/U	50
	RG-316/U	50

S-5109
SMB Male Crimp

P/N	CABLE GROUP	IMPEDANCE
5109	RG-174/U	50
	RG-188/U	50
	RG-316/U	50

S-5110
SMB Female Bulkhead Crimp

P/N	CABLE GROUP	IMPEDANCE
5110	RG-174/U	50
	RG-188/U	50
	RG-316/U	50

S-5111
SMB Female Bulkhead Crimp

P/N	CABLE GROUP	IMPEDANCE
5111	RG-174/U	50
	RG-188/U	50
	RG-316/U	50

S-5112
SMB Female Right Angle Crimp

P/N	CABLE GROUP	IMPEDANCE
5112	RG-174/U	50
	RG-188/U	50
	RG-316/U	50

SMB Series

S-5113 SMB Female Bulkhead Clamp				
P/N	CABLE GROUP	IMPEDANCE		
5113	RG-174/U RG-188/U RG-316/U	50		

S-5114 SMB Female Bulkhead Clamp				
P/N	CABLE GROUP	IMPEDANCE		
5114	RG-174/U RG-188/U RG-316/U	50		

S-5115 SMB Female PCB Mount				
P/N	CABLE GROUP	IMPEDANCE		
5115	N/A	50		

S-5116 SMB Female Right Angle PCB Mount				
P/N	CABLE GROUP	IMPEDANCE		
5116	N/A	50		

S-5117 SMB Female Bulkhead				
P/N	CABLE GROUP	IMPEDANCE		
5117	N/A	50		

S-5118 SMB Female Bulkhead				
P/N	CABLE GROUP	IMPEDANCE		
5118	N/A	50		

SMB Series

SMB/SMC

S-5119 SMB Female Panel Mount Receptacle				
P/N	CABLE GROUP	IMPEDANCE		
5119	N/A	50		

S-5120 SMB Double Male				
P/N	CABLE GROUP	IMPEDANCE		
5120	N/A	50		

S-5121 SMB Double Female Bulkhead				
P/N	CABLE GROUP	IMPEDANCE		
5121	N/A	50		

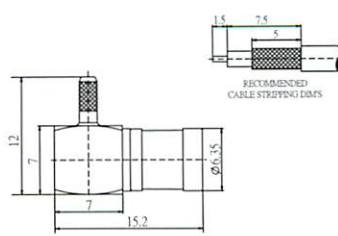

S-5122 SMB Double Female				
P/N	CABLE GROUP	IMPEDANCE		
5122	N/A	50		

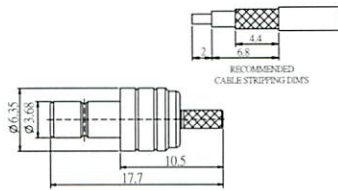

S-5123 SMB Male Right Angle Crimp				
P/N	CABLE GROUP	IMPEDANCE		
5123	RG-174/U RG-178/U RG-316/U	50		

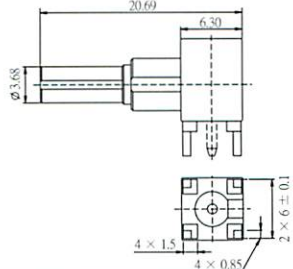

S-5124 SMB Male Crimp				
P/N	CABLE GROUP	IMPEDANCE		
5124	RG-174/U RG-178/U RG-316/U	50		

SMB Series

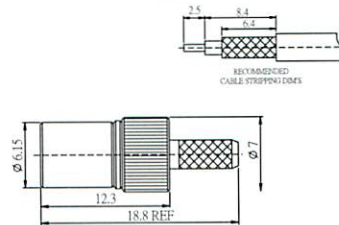

SMB/SMC

S-5125 SMB Male Right Angle Crimp				
P/N	CABLE GROUP	IMPEDANCE		
5125	RG-174/U RG-188/U RG-316/U	50		

S-5126 SMB Male Crimp				
P/N	CABLE GROUP	IMPEDANCE		
5126	RG-174/U RG-188/U RG-316/U	50		

S-5127 SMB Female Right Angle PCB Mount				
P/N	CABLE GROUP	IMPEDANCE		
5127	N/A	50		

S-5128				
P/N	CABLE GROUP	IMPEDANCE		

S-5129 SMB Male Crimp				
P/N	CABLE GROUP	IMPEDANCE		
5129	RG-174/U RG-188/U RG-316/U	50		

P/N	CABLE GROUP	IMPEDANCE		

SMB Series

SMB/SMC

S-5131		
P/N	CABLE GROUP	IMPEDANCE

S-5132		
P/N	CABLE GROUP	IMPEDANCE

S-5133		
P/N	CABLE GROUP	IMPEDANCE

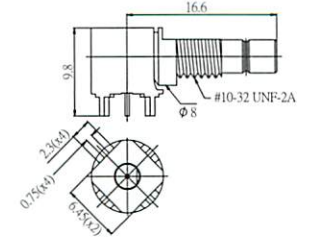

S-5134 SMB Male Right Angle Crimp				
P/N	CABLE GROUP	IMPEDANCE		
5134	RG-174/U RG-188/U RG-316/U	50		

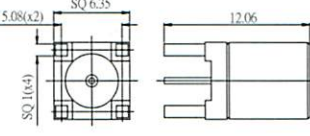

S-5135 SMB Male Right Angle Crimp				
P/N	CABLE GROUP	IMPEDANCE		
5135	RG-174/U RG-188/U RG-316/U	50		

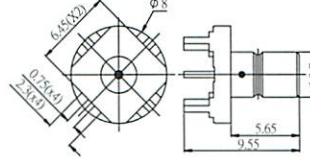

S-5136 SMB Female PCB Mount				
P/N	CABLE GROUP	IMPEDANCE		
5136	N/A	50		

SMB Series

SMB/SMC

S-5137 SMB Female PCB Mount				
P/N	CABLE GROUP	IMPEDANCE		
5137	N/A	50		

S-5138 SMB Male PCB Mount				
P/N	CABLE GROUP	IMPEDANCE		
5138	N/A	50		

S-5139 SMB Female PCB Mount				
P/N	CABLE GROUP	IMPEDANCE		
5139	RG-174/U RG-188/U RG-316/U	50		

P/N	CABLE GROUP	IMPEDANCE		

P/N	CABLE GROUP	IMPEDANCE		

P/N	CABLE GROUP	IMPEDANCE		

SMC Series

SMB/SMC

MC-6101 SMC Male Right Angle Crimp				
P/N	CABLE GROUP	IMPEDANCE		
6131	RG-316/U	50		

MC-6102 SMC Female PCB Mount				
P/N	CABLE GROUP	IMPEDANCE		
6102	N/A	50		

MC-6103 SMC Female Clamp				
P/N	CABLE GROUP	IMPEDANCE		
6103	N/A	50		

MC-6104 SMC Male Clamp				
P/N	CABLE GROUP	IMPEDANCE		
6104	N/A	50		

P/N	CABLE GROUP	IMPEDANCE

P/N	CABLE GROUP	IMPEDANCE