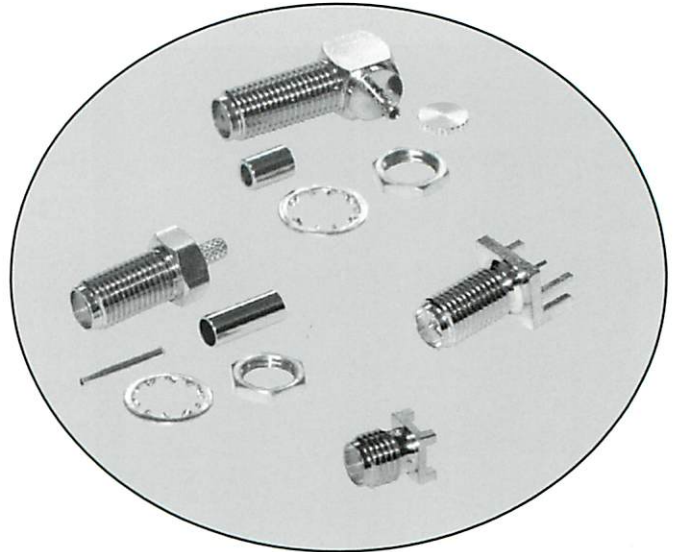
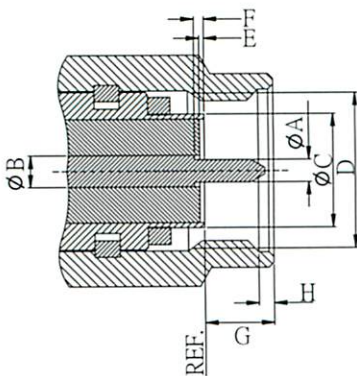


SMA Series

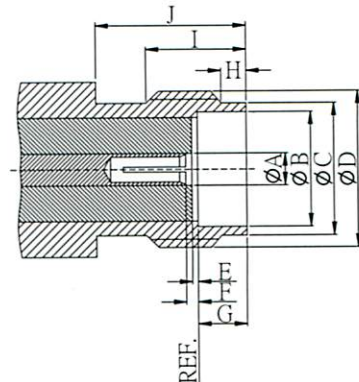
SMA connectors are subminiature connector with a screw-coupling. It was developed for semi-rigid cable and designed to provide 50 ohm impedance and high frequency up to 18GHz. SMA is available in both Standard and Reverse Polarity (RP). Miniaturization and size reduction are key considerations. The SMA has been chosen for a wide variety of microwave system designs.



Interface dimensions:



MALE(PLUG) mm		
	Min.	Max.
A	0.90	0.94
B	1.24	1.29
C	-	4.59
D	1/4"-36UNS-2B	
E	0.00	0.25
F	0.00	0.25
G	-	3.43
H	0.38	1.14



FEMALE(JACK) mm		
	Min.	Max.
A	1.24	1.29
B	4.60	4.67
C	5.28	5.49
D	1/4"-36UNS-2A	
E	0.00	0.25
F	0.00	0.25
G	1.88	1.98
H	0.38	1.14
I	4.32	-
J	5.54	-

Electrical:

Impedance		50 ohm
Frequency Range		0~12.4 GHz on Flexible cable 0~18 GHz on Semi-rigid cable
Working Voltage		RG-178:170 VRMS max. RG-316,.085" :250 VRMS max. RG-316,.141" :335 VRMS max.
Dielectric Withstanding Voltage		RG-178:170 VRMS min. RG-316,.085":750 VRMS min. RG-142,.141":1000 VRMS min.
VSWR	Straight	1.3 max
	Right Angle	1.5 max
Contact Resistance	Center Contact	6 Milliohms Max.
	Outer Contact	2 Milliohms Max.
Insulator Resistance		5000 Megohms min.

Material:

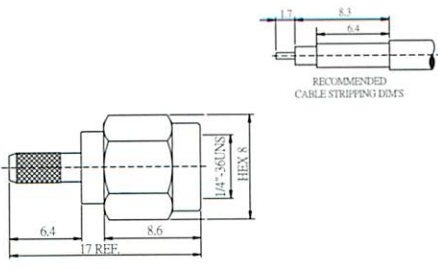

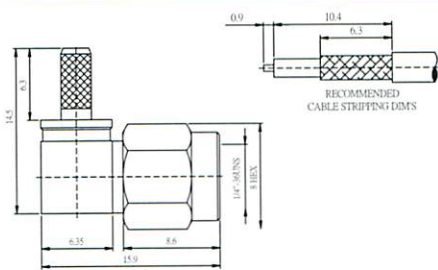

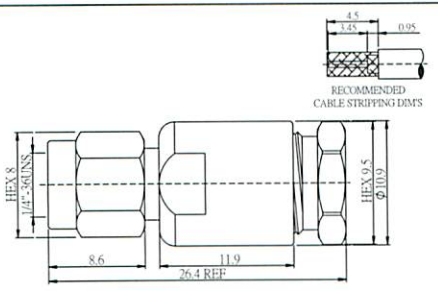

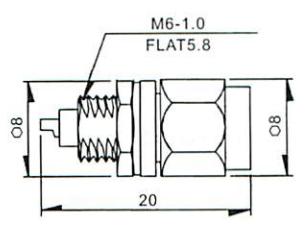

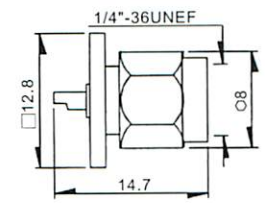

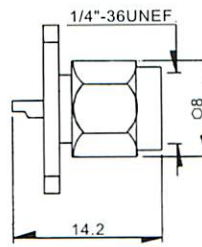

Parts Name	Material	Finish
Body, Metal Parts	Brass Per QQ-B-626 or Non-magnetic stainless steel per QQ-S-764#303	Nickel, Gold or passivity per requirement.
Center Contacts	Male:Beryllium copper per Female:Beryllium copper per QQ-C-530 or Phosphor Bronze per QQ-B-750	Gold
Insulators	PTFE	None
Crimp Ferrules	Annealed Copper	Nickel, Gold or passivity per requirement.
Crimp Gaskets	Silicone rubber	None

NOTE:Other Material/Finish is Available on Request.

Mechanical & Environmental:

Engagement Force	2 in-lbs. max.
Disengagement Force	2 in-lbs. max.
Coupling Nut Retention	60 lbs. min.
Coupling Proof Torque	15 in-lbs. min.
Contact Retention	6lbs. min.

SMA Series

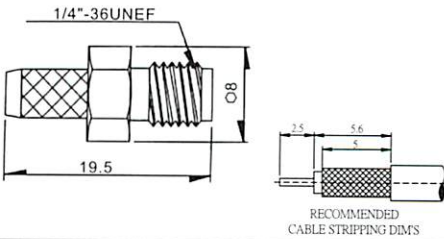

A-5001 SMA Male Crimp								
<table border="1"> <thead> <tr> <th>P/N</th> <th>CABLE GROUP</th> <th>IMPEDANCE</th> </tr> </thead> <tbody> <tr> <td>5001</td> <td>RG-58/U RG-174/U RG-178/U</td> <td>50</td> </tr> </tbody> </table>	P/N	CABLE GROUP	IMPEDANCE	5001	RG-58/U RG-174/U RG-178/U	50		
P/N	CABLE GROUP	IMPEDANCE						
5001	RG-58/U RG-174/U RG-178/U	50						
A-5002 SMA Male Right Angle Crimp								
<table border="1"> <thead> <tr> <th>P/N</th> <th>CABLE GROUP</th> <th>IMPEDANCE</th> </tr> </thead> <tbody> <tr> <td>5002</td> <td>RG-58/U RG-174/U RG-178/U</td> <td>50</td> </tr> </tbody> </table>	P/N	CABLE GROUP	IMPEDANCE	5002	RG-58/U RG-174/U RG-178/U	50		
P/N	CABLE GROUP	IMPEDANCE						
5002	RG-58/U RG-174/U RG-178/U	50						
A-5003 SMA Male Clamp								
<table border="1"> <thead> <tr> <th>P/N</th> <th>CABLE GROUP</th> <th>IMPEDANCE</th> </tr> </thead> <tbody> <tr> <td>5003</td> <td>RG-58/U RG-59/U</td> <td>50 75</td> </tr> </tbody> </table>	P/N	CABLE GROUP	IMPEDANCE	5003	RG-58/U RG-59/U	50 75		
P/N	CABLE GROUP	IMPEDANCE						
5003	RG-58/U RG-59/U	50 75						
A-5004 SMA Male Bulkhead								
<table border="1"> <thead> <tr> <th>P/N</th> <th>CABLE GROUP</th> <th>IMPEDANCE</th> </tr> </thead> <tbody> <tr> <td>5004</td> <td>N/A</td> <td>50</td> </tr> </tbody> </table>	P/N	CABLE GROUP	IMPEDANCE	5004	N/A	50		
P/N	CABLE GROUP	IMPEDANCE						
5004	N/A	50						
A-5005 SMA Male Panel Mount Receptacle								
<table border="1"> <thead> <tr> <th>P/N</th> <th>CABLE GROUP</th> <th>IMPEDANCE</th> </tr> </thead> <tbody> <tr> <td>5005</td> <td>N/A</td> <td>50</td> </tr> </tbody> </table>	P/N	CABLE GROUP	IMPEDANCE	5005	N/A	50		
P/N	CABLE GROUP	IMPEDANCE						
5005	N/A	50						
A-5006 SMA Male Panel Mount Receptacle								
<table border="1"> <thead> <tr> <th>P/N</th> <th>CABLE GROUP</th> <th>IMPEDANCE</th> </tr> </thead> <tbody> <tr> <td>5006</td> <td>N/A</td> <td>50</td> </tr> </tbody> </table>	P/N	CABLE GROUP	IMPEDANCE	5006	N/A	50		
P/N	CABLE GROUP	IMPEDANCE						
5006	N/A	50						

SMA

SMA Series

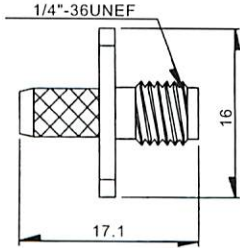

A-5007
SMA Female Crimp

P/N	CABLE GROUP	IMPEDANCE
5007	RG-58/U RG-174/U RG-178/U	50 50 50

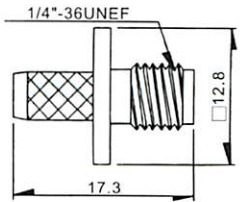

A-5008
SMA Female Panel Mount Crimp

P/N	CABLE GROUP	IMPEDANCE
5008	RG-58/U RG-174/U	50 50

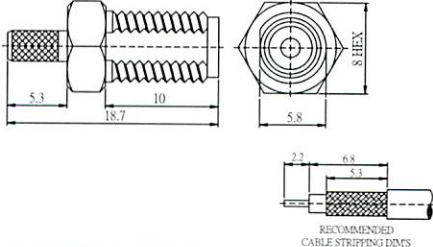

A-5009
SMA Female Panel Mount Crimp

P/N	CABLE GROUP	IMPEDANCE
5009	RG-58/U RG-174/U	50 50

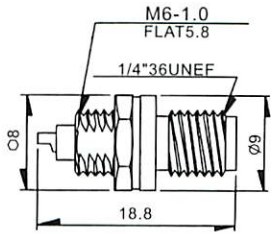

A-5010
SMA Female Bulkhead Crimp

P/N	CABLE GROUP	IMPEDANCE
5010	RG-58/U RG-174/U RG-178/U	50 50 50

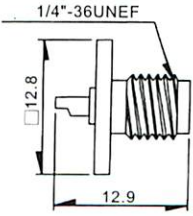

A-5011
SMA Female Bulkhead

P/N	CABLE GROUP	IMPEDANCE
5011	N/A	50

A-5012
SMA Female Panel Mount

P/N	CABLE GROUP	IMPEDANCE
5012	RG-58/U RG-174/U	50 50

SMA

SMA Series

A-5013 SMA Male Panel Mount				
P/N	CABLE GROUP	IMPEDANCE		
5013	N/A	50		
A-5014 SMA Femle Right Angle PCB Mount				
P/N	CABLE GROUP	IMPEDANCE		
5014	N/A	50		
A-5015 SMA <i>Female</i> PCB Mount				
P/N	CABLE GROUP	IMPEDANCE		
5015	N/A	50		
A-5016 SMA Female Panel Mount Recetacle				
P/N	CABLE GROUP	IMPEDANCE		
5016	N/A	50		
A-5017 SMA Female Right Angel Panel Mount Receptacle				
P/N	CABLE GROUP	IMPEDANCE		
5017	N/A	50		
A-5018 SMA <i>Double Male</i>				
P/N	CABLE GROUP	IMPEDANCE		
5018	N/A	50		

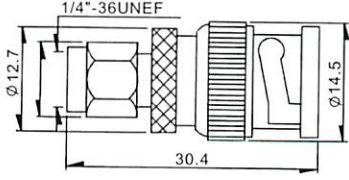

SMA

SMA Series

SMA

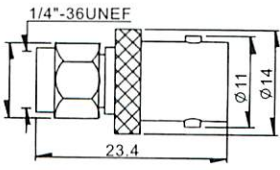

A-5019
SMA Male to BNC Male Adaptor

P/N	CABLE GROUP	IMPEDANCE
5019	N/A	50

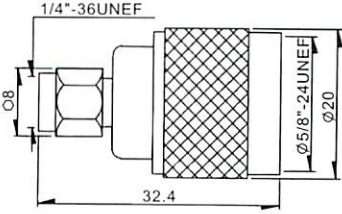

A-5020
SMA Male to BNC Female Adaptor

P/N	CABLE GROUP	IMPEDANCE
5020	N/A	50

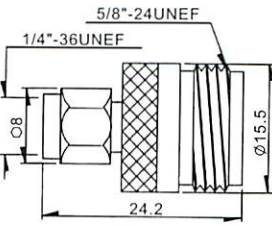

A-5021
SMA Male to N Male Adaptor

P/N	CABLE GROUP	IMPEDANCE
5021	N/A	50

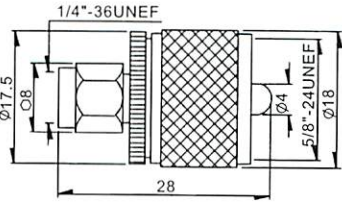

A-5022
SMA Male to N Female Adaptor

P/N	CABLE GROUP	IMPEDANCE
5022	N/A	50

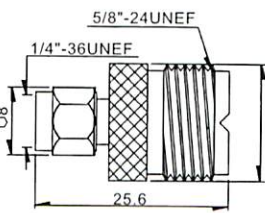

A-5023
SMA Male to UHF Male Adaptor

P/N	CABLE GROUP	IMPEDANCE
5023	N/A	50

A-5024
SMA Male to UHF Female Adaptor

P/N	CABLE GROUP	IMPEDANCE
5024	N/A	50

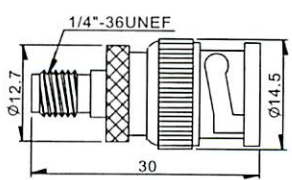




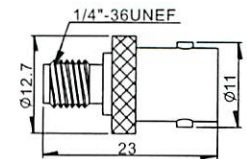

SMA Series

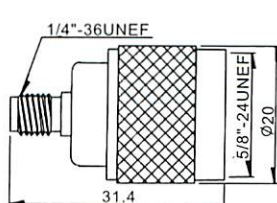

A-5025 SMA Male to Mini UHF Male Adaptor								
<table border="1"> <thead> <tr> <th>P/N</th> <th>CABLE GROUP</th> <th>IMPEDANCE</th> </tr> </thead> <tbody> <tr> <td>5025</td> <td>N/A</td> <td>50</td> </tr> </tbody> </table>	P/N	CABLE GROUP			IMPEDANCE	5025	N/A	50
P/N	CABLE GROUP	IMPEDANCE						
5025	N/A	50						
A-5026 SMA Male to Mini UHF Female Adaptor								
<table border="1"> <thead> <tr> <th>P/N</th> <th>CABLE GROUP</th> <th>IMPEDANCE</th> </tr> </thead> <tbody> <tr> <td>5026</td> <td>N/A</td> <td>50</td> </tr> </tbody> </table>	P/N	CABLE GROUP			IMPEDANCE	5026	N/A	50
P/N	CABLE GROUP	IMPEDANCE						
5026	N/A	50						
A-5027 SMA Male to TNC Female Adaptor								
<table border="1"> <thead> <tr> <th>P/N</th> <th>CABLE GROUP</th> <th>IMPEDANCE</th> </tr> </thead> <tbody> <tr> <td>5027</td> <td>N/A</td> <td>50</td> </tr> </tbody> </table>	P/N	CABLE GROUP			IMPEDANCE	5027	N/A	50
P/N	CABLE GROUP	IMPEDANCE						
5027	N/A	50						
A-5028 SMA Male to TNC Female Adaptor								
<table border="1"> <thead> <tr> <th>P/N</th> <th>CABLE GROUP</th> <th>IMPEDANCE</th> </tr> </thead> <tbody> <tr> <td>5028</td> <td>N/A</td> <td>50</td> </tr> </tbody> </table>	P/N	CABLE GROUP			IMPEDANCE	5028	N/A	50
P/N	CABLE GROUP	IMPEDANCE						
5028	N/A	50						
A-5029 SMA Double Female Adaptor								
<table border="1"> <thead> <tr> <th>P/N</th> <th>CABLE GROUP</th> <th>IMPEDANCE</th> </tr> </thead> <tbody> <tr> <td>5029</td> <td>N/A</td> <td>50</td> </tr> </tbody> </table>	P/N	CABLE GROUP			IMPEDANCE	5029	N/A	50
P/N	CABLE GROUP	IMPEDANCE						
5029	N/A	50						
A-5030 SMA Double Female Bulkhead Adaptor								
<table border="1"> <thead> <tr> <th>P/N</th> <th>CABLE GROUP</th> <th>IMPEDANCE</th> </tr> </thead> <tbody> <tr> <td>5030</td> <td>N/A</td> <td>50</td> </tr> </tbody> </table>	P/N	CABLE GROUP			IMPEDANCE	5030	N/A	50
P/N	CABLE GROUP	IMPEDANCE						
5030	N/A	50						

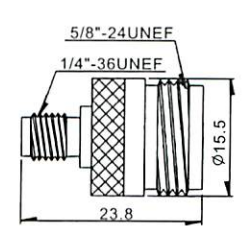

SMA

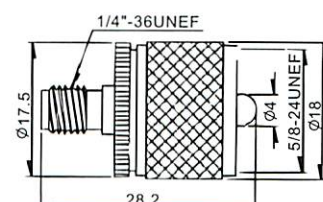

SMA Series

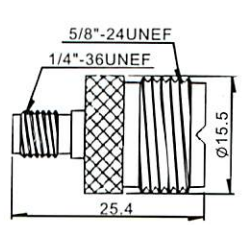

A-5031 SMA Female to BNC Male Adaptor				
P/N	CABLE GROUP	IMPEDANCE		
5031	N/A	50		

A-5032 SMA Female to BNC Female Adaptor				
P/N	CABLE GROUP	IMPEDANCE		
5014	N/A	50		

A-5033 SMA Female to N Male Adaptor				
P/N	CABLE GROUP	IMPEDANCE		
5033	N/A	50		

A-5034 SMA Female to N Female Adaptor				
P/N	CABLE GROUP	IMPEDANCE		
5034	N/A	50		

A-5035 SMA Female to UHF Male Adaptor				
P/N	CABLE GROUP	IMPEDANCE		
5035	N/A	50		

A-5036 SMA Female to UHF Female Adaptor				
P/N	CABLE GROUP	IMPEDANCE		
5036	N/A	50		

SMA Series

A-5037 SMA Female to Mini UHF Male Adaptor				
P/N	CABLE GROUP	IMPEDANCE		
5037	N/A	50		

A-5038 SMA Female to Mini UHF Female Adaptor				
P/N	CABLE GROUP	IMPEDANCE		
5038	N/A	50		

A-5039 SMA Female to TNC Male Adaptor				
P/N	CABLE GROUP	IMPEDANCE		
5039	N/A	50		

A-5040 SMA Female to TNC Female Adaptor				
P/N	CABLE GROUP	IMPEDANCE		
5040	N/A	50		

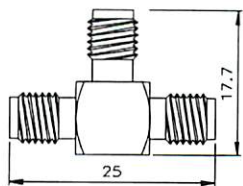

A-5041 SMA Female to Male Adaptor Right Angel				
P/N	CABLE GROUP	IMPEDANCE		
5041	N/A	50		

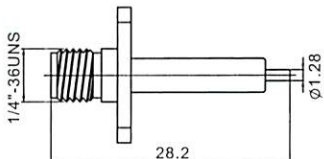

A-5042 SMA Male to Double Female Adaptor				
P/N	CABLE GROUP	IMPEDANCE		
5042	N/A	50		

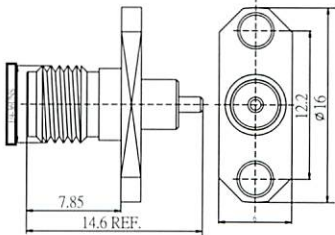

SMA

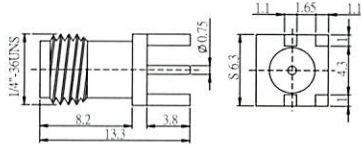

SMA Series

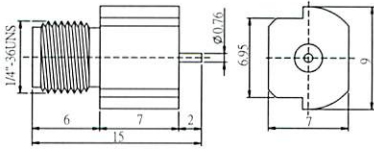

SMA

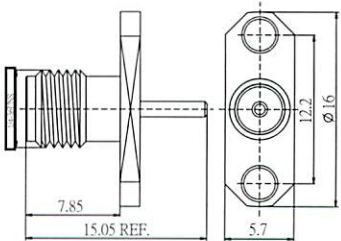

A-5043 SMA Tripe Female Adaptor				
P/N	CABLE GROUP	IMPEDANCE		
5043	N/A	50		

A-5044 SMA Female Panel Mount Receptacle				
P/N	CABLE GROUP	IMPEDANCE		
5044	N/A	50		

A-5045 SMA Female Panel Mount Receptacle				
P/N	CABLE GROUP	IMPEDANCE		
5045	N/A	50		

A-5046 SMA Female PCB Mount				
P/N	CABLE GROUP	IMPEDANCE		
5046	N/A	50		

A-5047 SMA Female PCB Mount				
P/N	CABLE GROUP	IMPEDANCE		
5047	N/A	50		

A-5048 SMA Female Panel Mount Receptacle				
P/N	CABLE GROUP	IMPEDANCE		
5048	N/A	50		

SMA Series

A-5049 SMA Female Right Angle Crimp														
<table border="1"> <thead> <tr> <th>P/N</th> <th>CABLE GROUP</th> <th>IMPEDANCE</th> </tr> </thead> <tbody> <tr> <td>5049</td> <td>RG-58/U</td> <td>50</td> </tr> <tr> <td></td> <td>RG-174/U</td> <td>50</td> </tr> <tr> <td></td> <td>RG-178/U</td> <td>50</td> </tr> </tbody> </table>	P/N	CABLE GROUP			IMPEDANCE	5049	RG-58/U	50		RG-174/U	50		RG-178/U	50
P/N	CABLE GROUP	IMPEDANCE												
5049	RG-58/U	50												
	RG-174/U	50												
	RG-178/U	50												
A-5050 SMA Female PCB Mount														
<table border="1"> <thead> <tr> <th>P/N</th> <th>CABLE GROUP</th> <th>IMPEDANCE</th> </tr> </thead> <tbody> <tr> <td>5050</td> <td>N/A</td> <td>50</td> </tr> </tbody> </table>	P/N	CABLE GROUP			IMPEDANCE	5050	N/A	50						
P/N	CABLE GROUP	IMPEDANCE												
5050	N/A	50												
A-5051 SMA Female PCB Mount														
<table border="1"> <thead> <tr> <th>P/N</th> <th>CABLE GROUP</th> <th>IMPEDANCE</th> </tr> </thead> <tbody> <tr> <td>5051</td> <td>N/A</td> <td>50</td> </tr> </tbody> </table>	P/N	CABLE GROUP			IMPEDANCE	5051	N/A	50						
P/N	CABLE GROUP	IMPEDANCE												
5051	N/A	50												
A-5052 SMA Female Crimp														
<table border="1"> <thead> <tr> <th>P/N</th> <th>CABLE GROUP</th> <th>IMPEDANCE</th> </tr> </thead> <tbody> <tr> <td>5052</td> <td>RG-58/U</td> <td>50</td> </tr> <tr> <td></td> <td>RG-174/U</td> <td>50</td> </tr> <tr> <td></td> <td>RG-178/U</td> <td>50</td> </tr> </tbody> </table>	P/N	CABLE GROUP			IMPEDANCE	5052	RG-58/U	50		RG-174/U	50		RG-178/U	50
P/N	CABLE GROUP	IMPEDANCE												
5052	RG-58/U	50												
	RG-174/U	50												
	RG-178/U	50												
A-5053 SMA Male Crimp RP														
<table border="1"> <thead> <tr> <th>P/N</th> <th>CABLE GROUP</th> <th>IMPEDANCE</th> </tr> </thead> <tbody> <tr> <td>5053</td> <td>N/A</td> <td>50</td> </tr> </tbody> </table>	P/N	CABLE GROUP			IMPEDANCE	5053	N/A	50						
P/N	CABLE GROUP	IMPEDANCE												
5053	N/A	50												
A-5054 SMA Double Female														
<table border="1"> <thead> <tr> <th>P/N</th> <th>CABLE GROUP</th> <th>IMPEDANCE</th> </tr> </thead> <tbody> <tr> <td>5054</td> <td>N/A</td> <td>50</td> </tr> </tbody> </table>	P/N	CABLE GROUP			IMPEDANCE	5054	N/A	50						
P/N	CABLE GROUP	IMPEDANCE												
5054	N/A	50												

SMA

SMA Series

A-5055 SMA Female to SMB Male Adaptor				
P/N	CABLE GROUP	IMPEDANCE		
5055	N/A	50		

A-5056 SMA Female to SMB Female Adaptor				
P/N	CABLE GROUP	IMPEDANCE		
5056	N/A	50		

A-5057 SMA Female to SMA Female Adaptor				
P/N	CABLE GROUP	IMPEDANCE		
5057	N/A	50		

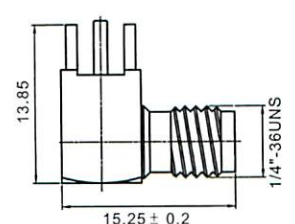

A-5058 SMA Female to SMA Female Adaptor				
P/N	CABLE GROUP	IMPEDANCE		
5058	N/A	50		

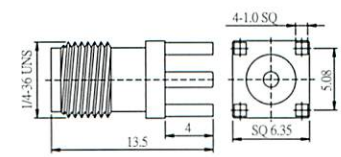

P/N	CABLE GROUP	IMPEDANCE

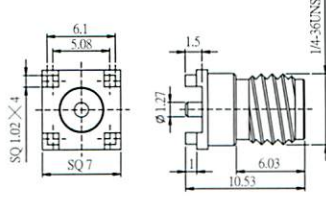

P/N	CABLE GROUP	IMPEDANCE

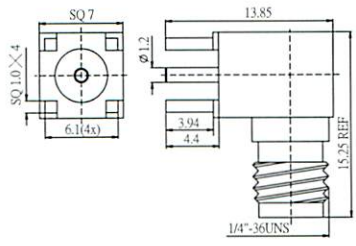

SMA

SMA Series

A-5071 SMA Female Right Angle PCB Mount				
P/N	CABLE GROUP	IMPEDANCE		
5071	N/A	50		

A-5072 SMA Female PCB Mount				
P/N	CABLE GROUP	IMPEDANCE		
5072	N/A	50		

A-5073 SMA Female PCB Mount				
P/N	CABLE GROUP	IMPEDANCE		
5073	N/A	50		

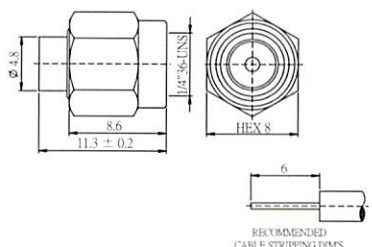

A-5074 SMA Female Right Angle PCB Mount RP				
P/N	CABLE GROUP	IMPEDANCE		
5074	N/A	50		

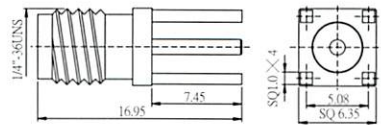

P/N	CABLE GROUP	IMPEDANCE

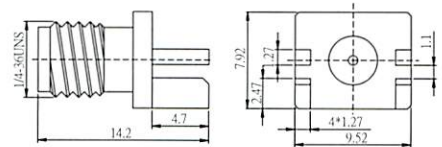

P/N	CABLE GROUP	IMPEDANCE

SMA

SMA Series

A-5091 SMA Male For Semi-Rigid Cable								
<table border="1"> <thead> <tr> <th>P/N</th> <th>CABLE GROUP</th> <th>IMPEDANCE</th> </tr> </thead> <tbody> <tr> <td>5091</td> <td>141 SEMI-RIGID/402/U 085 SEMI-RIGID/405/U</td> <td>50</td> </tr> </tbody> </table>	P/N	CABLE GROUP			IMPEDANCE	5091	141 SEMI-RIGID/402/U 085 SEMI-RIGID/405/U	50
P/N	CABLE GROUP	IMPEDANCE						
5091	141 SEMI-RIGID/402/U 085 SEMI-RIGID/405/U	50						

A-5092 SMA Female PCB Mount								
<table border="1"> <thead> <tr> <th>P/N</th> <th>CABLE GROUP</th> <th>IMPEDANCE</th> </tr> </thead> <tbody> <tr> <td>5092</td> <td>N/A</td> <td>50</td> </tr> </tbody> </table>	P/N	CABLE GROUP			IMPEDANCE	5092	N/A	50
P/N	CABLE GROUP	IMPEDANCE						
5092	N/A	50						

A-5093 SMA Female PCB Mount								
<table border="1"> <thead> <tr> <th>P/N</th> <th>CABLE GROUP</th> <th>IMPEDANCE</th> </tr> </thead> <tbody> <tr> <td>5093</td> <td>N/A</td> <td>50</td> </tr> </tbody> </table>	P/N	CABLE GROUP			IMPEDANCE	5093	N/A	50
P/N	CABLE GROUP	IMPEDANCE						
5093	N/A	50						

<table border="1"> <thead> <tr> <th>P/N</th> <th>CABLE GROUP</th> <th>IMPEDANCE</th> </tr> </thead> <tbody> <tr> <td></td> <td></td> <td></td> </tr> </tbody> </table>			P/N	CABLE GROUP	IMPEDANCE					
P/N	CABLE GROUP	IMPEDANCE								

<table border="1"> <thead> <tr> <th>P/N</th> <th>CABLE GROUP</th> <th>IMPEDANCE</th> </tr> </thead> <tbody> <tr> <td></td> <td></td> <td></td> </tr> </tbody> </table>			P/N	CABLE GROUP	IMPEDANCE					
P/N	CABLE GROUP	IMPEDANCE								

<table border="1"> <thead> <tr> <th>P/N</th> <th>CABLE GROUP</th> <th>IMPEDANCE</th> </tr> </thead> <tbody> <tr> <td></td> <td></td> <td></td> </tr> </tbody> </table>			P/N	CABLE GROUP	IMPEDANCE					
P/N	CABLE GROUP	IMPEDANCE								

SMA

SMA Series

A-5100 SMA Female Bulkhead								
<table border="1"> <thead> <tr> <th>P/N</th> <th>CABLE GROUP</th> <th>IMPEDANCE</th> </tr> </thead> <tbody> <tr> <td>5100</td> <td>N/A</td> <td>50</td> </tr> </tbody> </table>	P/N	CABLE GROUP			IMPEDANCE	5100	N/A	50
P/N	CABLE GROUP	IMPEDANCE						
5100	N/A	50						

<table border="1"> <thead> <tr> <th>P/N</th> <th>CABLE GROUP</th> <th>IMPEDANCE</th> </tr> </thead> <tbody> <tr> <td></td> <td></td> <td></td> </tr> </tbody> </table>			P/N	CABLE GROUP	IMPEDANCE					
P/N	CABLE GROUP	IMPEDANCE								

<table border="1"> <thead> <tr> <th>P/N</th> <th>CABLE GROUP</th> <th>IMPEDANCE</th> </tr> </thead> <tbody> <tr> <td></td> <td></td> <td></td> </tr> </tbody> </table>			P/N	CABLE GROUP	IMPEDANCE					
P/N	CABLE GROUP	IMPEDANCE								

<table border="1"> <thead> <tr> <th>P/N</th> <th>CABLE GROUP</th> <th>IMPEDANCE</th> </tr> </thead> <tbody> <tr> <td></td> <td></td> <td></td> </tr> </tbody> </table>			P/N	CABLE GROUP	IMPEDANCE					
P/N	CABLE GROUP	IMPEDANCE								

<table border="1"> <thead> <tr> <th>P/N</th> <th>CABLE GROUP</th> <th>IMPEDANCE</th> </tr> </thead> <tbody> <tr> <td></td> <td></td> <td></td> </tr> </tbody> </table>			P/N	CABLE GROUP	IMPEDANCE					
P/N	CABLE GROUP	IMPEDANCE								

<table border="1"> <thead> <tr> <th>P/N</th> <th>CABLE GROUP</th> <th>IMPEDANCE</th> </tr> </thead> <tbody> <tr> <td></td> <td></td> <td></td> </tr> </tbody> </table>			P/N	CABLE GROUP	IMPEDANCE					
P/N	CABLE GROUP	IMPEDANCE								

SMA