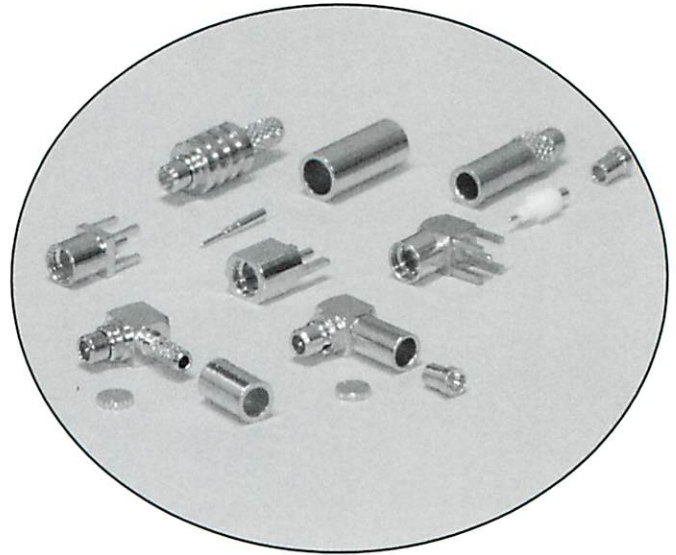


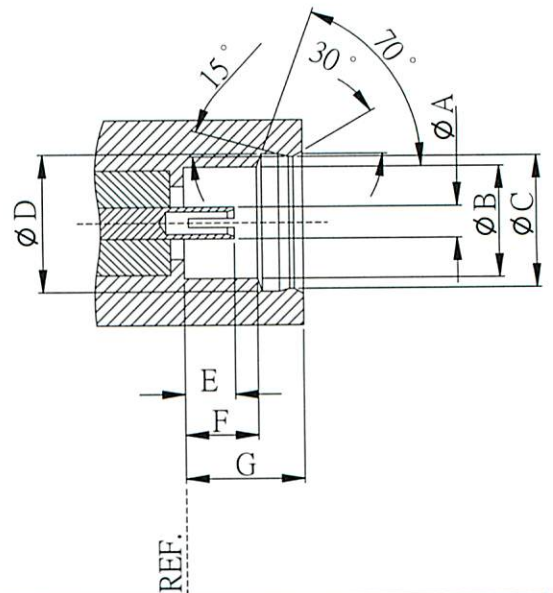
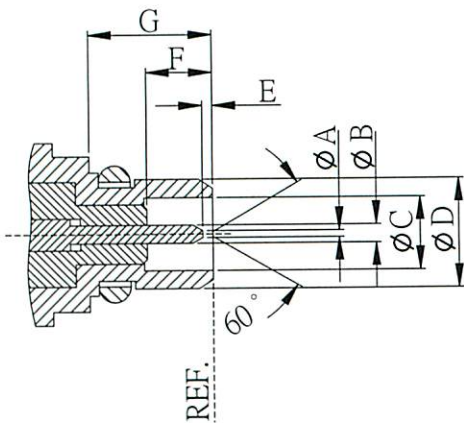
MMCX Series

MMCX

MMCX connector is designed smaller than the MCX dimensions with 50 ohm & 75 ohm impedance and provided continual performance from DC up to 6GHz. The locking consists of a reliable snap on mechanism which is also responsible for delivering excellent electrical parameters during use. Due to the non-slotted outer conductor, the MMCX connection has a low RF-leakage.



Interface dimensions:



MALE(PLUG) mm		
	Min.	Max.
A	-	0.20
B	0.38	0.42
C	1.58	1.62
D	-	2.40
E	0.00	0.25
F	1.23	-
G	2.70	-

FEMALE(JACK) mm		
	Min.	Max.
A	0.70	nom.
B	2.41	-
C	2.88	2.92
D	3.00	3.04
E	0.90	1.20
F	1.57	1.63
G	-	2.65

Electrical:

Impedance		50 ohm
Frequency Range		0~6 GHz
Working Voltage		170 VRMS max
Dielectric Withstanding Voltage		500 VRMS min
VSWR	Straight	1.3 max
	Right Angle	1.5 max
Contact Resistance	Center Contact	5 Milliohms Max.
	Outer Contact	2.5 Milliohms Max.
Insulator Resistance		1000 Megohms min.

Material:

Parts Name	Material	Finish
Body, Metal Parts	Brass per QQ-B-626	Nickel or Gold per requirement
Center Contacts	Male:Brass per QQ-B-626	Gold
	Female:Beryllium copper per QQ-C-530	Gold
Insulators	PTFE	None
Crimp Ferrules	Annealed copper	Nickel or Gold per requirement

NOTE:Other Material/Finish is Available on Request.

Mechanical & Environmental:

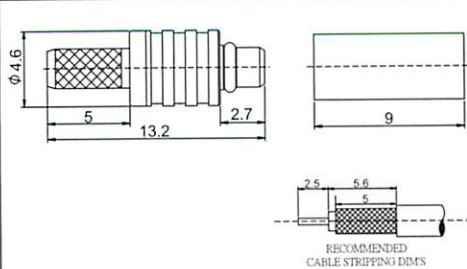

Engagement Force	3.4 lbs. max.
Disengagement Force	4.5 lbs. max.
Contact Retention	2.3 lbs. min.
Durability(Mating)	500 cycles min.(for Beryllium copper female contact only)
Temperature Range	-65°C to 155°C
Vibration	3 cycles, 3 opposite directions, 10-150Hz, 10-60Hz: 0.75mm/.030 in., 60-150Hz 10G's
Temperature Shock	MIL-STD-202 Method 107
Humidity	MIL-STD-202 Method 103, Condition B.
Mechanical Shock	MIL-STD-202 Method 213, Condition B.

MMCX Series

MMCX

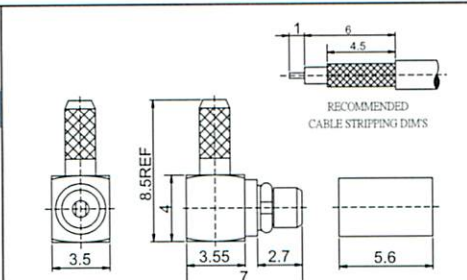

X-5301
MMCX Male Crimp

P/N	CABLE GROUP	IMPEDANCE
5301	RG-174/U RG-178/U RG-316/U RG-179/U	50 50 50 75

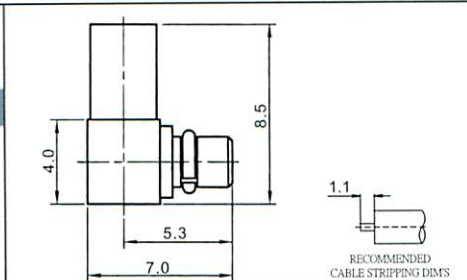

X-5302
MMCX Male Right Angle Crimp

P/N	CABLE GROUP	IMPEDANCE
5302	RG-174/U RG-178/U RG-316/U RG-179/U	50 50 50 75

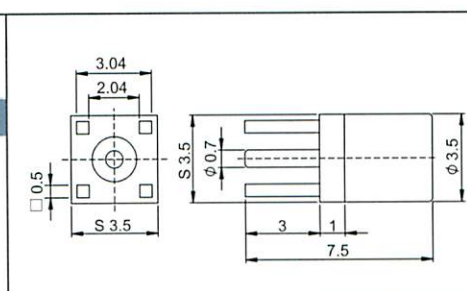

X-5303
MMCX Male Right Angle Crimp

P/N	CABLE GROUP	IMPEDANCE
5303	RG-178/U	50

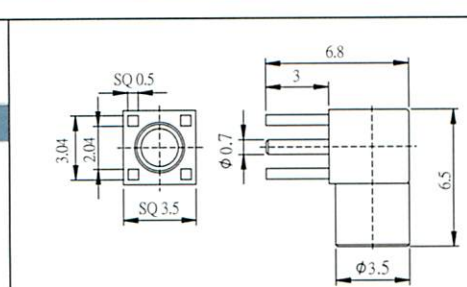

X-5304
MMCX Female PCB Mount

P/N	CABLE GROUP	IMPEDANCE
5304	N/A	50

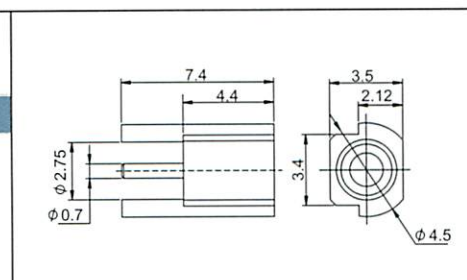

X-5305
MMCX Female Right Angle PCB Mount

P/N	CABLE GROUP	IMPEDANCE
5305	N/A	50



X-5306
MMCX Female PCB Mount

P/N	CABLE GROUP	IMPEDANCE
5306	N/A	50

MMCX Series

MMCX

X-5307 MMCX Male Crimp				
P/N	CABLE GROUP	IMPEDANCE		
5307	RG-178/U	50		

P/N	CABLE GROUP	IMPEDANCE		

P/N	CABLE GROUP	IMPEDANCE		

P/N	CABLE GROUP	IMPEDANCE		

P/N	CABLE GROUP	IMPEDANCE		

P/N	CABLE GROUP	IMPEDANCE		