

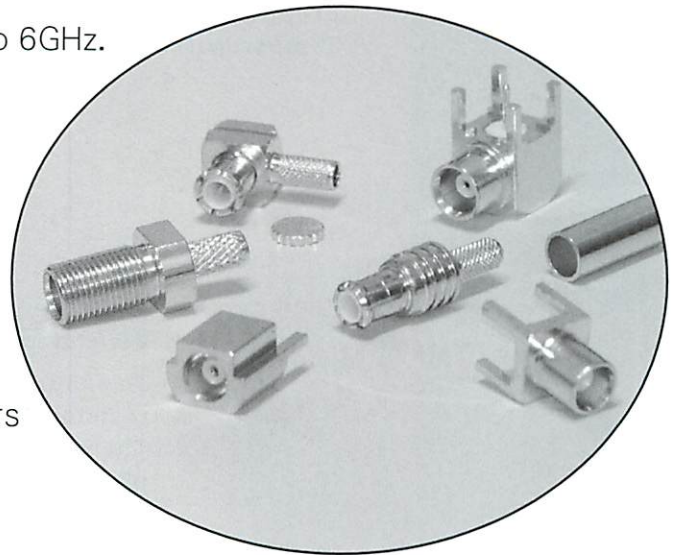
MCX Series

MCX

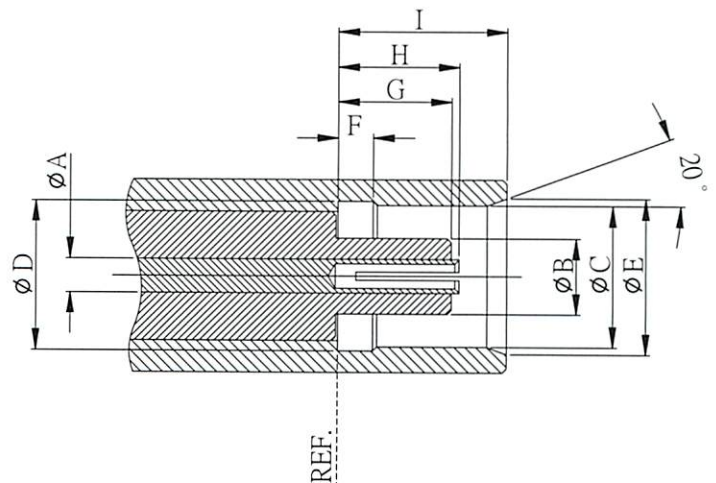
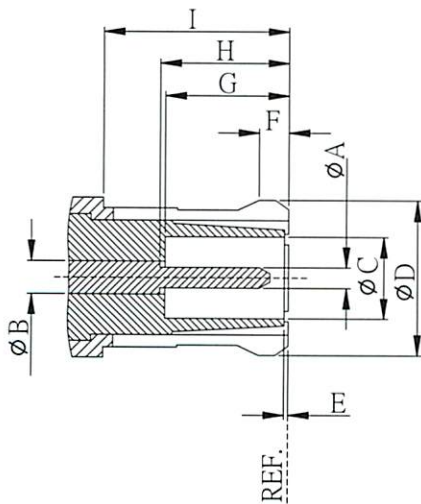
MCX series, miniature connectors are designed for the 50Ω system with working frequency up to 6GHz.

The snap-on mating design offers the user a smaller size compared to SMB/SMC series (30% space reduction). MCX connectors are suitable where space is limited and weight performance is required.

The major application of MCX series connectors are suitable for wireless, communication & instrumentation.



Interface dimensions:



MALE(PLUG) mm		
	Min.	Max.
A	0.48	0.53
B	0.95	-
C	2.00	2.07
D	3.72	3.80
E	-	0.30
F	0.70	0.75
G	2.80	3.20
H	2.80	3.20
I	4.15	-

FEMALE(JACK) mm		
	Min.	Max.
A	0.95	-
B	1.80	1.98
C	3.42	3.48
D	3.60	3.70
E	3.75	3.85
F	0.75	0.85
G	2.60	2.80
H	2.30	2.80
I	4.00	4.12

Electrical:

Impedance		50 ohm
Frequency Range		0~6 GHz
Working Voltage		335 VRMS max
Dielectric Withstanding Voltage		1000 VRMS min
VSWR	Straight	1.3 max
	Right Angle	1.5 max
Contact Resistance	Center Contact	5.0 Milliohms Max.
	Outer Contact	2.5 Milliohms Max.
Insulator Resistance		1000 Megohms min.

Material:

Parts Name	Material	Finish
Body, Metal Parts	Brass per QQ-B-626	Nickel or Gold per requirement
Center Contacts	Male:Brass per QQ-B-626	Gold
	Female:Beryllium copper per QQ-C-530	Gold
Insulators	PTFE	None
Outer Contact of male	Beryllium copper per QQ-C-530	Gold
Crimp Ferrules	Annealed copper	Nickel or Gold per requirement

NOTE:Other Material/Finish is Available on Request.

Mechanical & Environmental:

Engagement Force	3.4 lbs. max.
Disengagement Force	4.5 lbs. max.
Contact Retention	4 lbs. min.
Durability(Mating)	500 cycles min.(for Beryllium copper female contact only)
Temperature Range	-65°C to 155°C
Vibration	3 cycles, 3 opposite directions, 10-150Hz, 10-60Hz: 0.75mm/.030 in., 60-150Hz 10G's
Temperature Shock	MIL-STD-202 Method 107
Humidity	MIL-STD-202 Method 103, Condition B.
Mechanical Shock	MIL-STD-202 Method 213, Condition B.

MCX Series

MCX

M-5201 MCX Male Crimp				
P/N	CABLE GROUP	IMPEDANCE		
5201	RG-174/U RG-178/U RG-316/U RG-179/U	50 50 50 75		

M-5202 MCX Male Right Angle Crimp				
P/N	CABLE GROUP	IMPEDANCE		
5202	RG-174/U RG-178/U RG-316/U RG-179/U	50 50 50 75		

M-5203 MCX Female PCB Mount				
P/N	CABLE GROUP	IMPEDANCE		
5203	N/A	50		

M-5204 MCX Female PCB Mount				
P/N	CABLE GROUP	IMPEDANCE		
5204	N/A	50		

M-5205 MCX Female Crimp				
P/N	CABLE GROUP	IMPEDANCE		
5205	RG-178/U RG-179/U	50 75		

M-5206 MCX Female Right Angle PCB Mount				
P/N	CABLE GROUP	IMPEDANCE		
5206	N/A N/A	50 75		