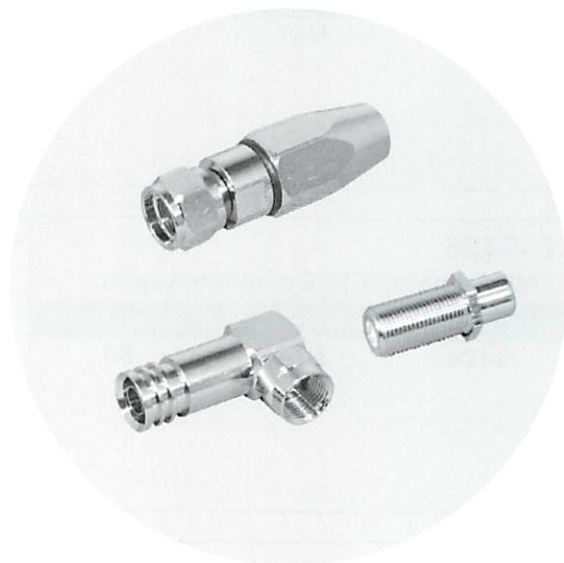


F series are economically priced connectors specially designed for use with NTSC TV ANTENNA, MATV, and satellite communication applications

Countries using the NTSC system include: The Bahama Islands, Canada, Central America, Japan, Korea, Mexico, Taiwan, The Philipines ,the U.S.A



Electrical:

Impedance		75 ohm
Frequency Range		0-2 GHz
Working Voltage		250 VRMS max
Dielectric Wuthstanding Voltage		500 VRMS max
VAWR		1.35 max
Contact Resistance	Center Contact	5 Milliohms Max.
	Outer Contact	5 Milliohms Max.
Insulator Resistance		1000 Megohms min.

Meaterial:

Parts name	Material	Plating
Body, Metal Parts	Brass per QQ-B-626	Nickel or Gold per requirement
Center Contacts	Male:Brass per QQ-B-626	Nickel or Gold per requirement
	Female:Brass per QQ-B-626 or Phosphor Bronze per QQ-B-750 or Beryllium copper per QQ-C-530	
Insulators	PTFE, Delrin, PBT, PP	None
Crimp Ferrules	Annealed copper	Nickel or Gold per requirement
Crimp Gaskets	Silicone rubber	None

NOTE:Other Material/Finish is Available on Request.

F MALE Series



F-7301 F Connector				
P/N	CABLE GROUP	IMPEDANCE		
7301	RG-59/U RG-6/U	75 75		

F-7302 F Connector				
P/N	CABLE GROUP	IMPEDANCE		
7302	RG-59/U RG-6/U	75 75		

F-7303 F Connector				
P/N	CABLE GROUP	IMPEDANCE		
7303	N/A	75		

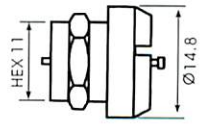

F-7304 F Connector				
P/N	CABLE GROUP	IMPEDANCE		
7304	N/A	75		

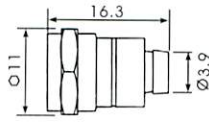

F-7305 F Connector				
P/N	CABLE GROUP	IMPEDANCE		
7305	N/A	75		

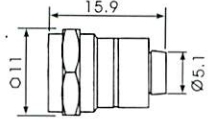

F-7306 F Connector				
P/N	CABLE GROUP	IMPEDANCE		
7306	N/A	75		

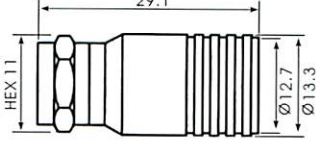

F MALE Series

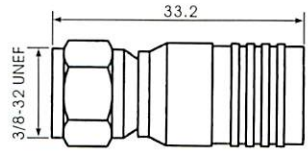

7

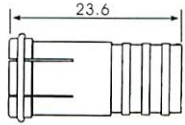

F-7307 F Connector				
P/N	CABLE GROUP	IMPEDANCE		
7307	N/A	75		

F-7308 F With Attached Crimp Ring(F59)				
P/N	CABLE GROUP	IMPEDANCE		
7308	N/A	75		

F-7309 F With Attached Crimp Ring(F56)				
P/N	CABLE GROUP	IMPEDANCE		
7309	N/A	75		

F-7310 F Connector, Crimp Type				
P/N	CABLE GROUP	IMPEDANCE		
7310	N/A	75		

F-7311 F Male Crimp				
P/N	CABLE GROUP	IMPEDANCE		
7311	N/A	75		

F-7312 F Quick With Attached Grip Ring				
P/N	CABLE GROUP	IMPEDANCE		
7312	RG-59/U RG-6/U	75 75		

F MALE Series



F-7313 F Male Twist On				
P/N	CABLE GROUP	IMPEDANCE		
7313	Rg-59/U RG-6/U	75 75		

F-7314 F Connector With Ring				
P/N	CABLE GROUP	IMPEDANCE		
7314	RG-58/U RG-59/U RG-6/U NC2V	50 75 75 50		

F-7315 F Connector W/Ring				
P/N	CABLE GROUP	IMPEDANCE		
7315	N/A	75		

F-7316 F Connector With Ring				
P/N	CABLE GROUP	IMPEDANCE		
7316	N/A	75		

F-7317 F Male Twist On				
P/N	CABLE GROUP	IMPEDANCE		
7317	RG-58/U RG-59/U RG-6/U NC2V	50 75 75 50		

F-7318 F Twist On				
P/N	CABLE GROUP	IMPEDANCE		
7318	RG-59/U	75		

F MALE Series

7

F-7319 F Quick Twist On				
P/N	CABLE GROUP	IMPEDANCE		
7319	RG-59/U RG-6/U	75		

F-7320 F Male PCB Mount				
P/N	CABLE GROUP	IMPEDANCE		
7320	N/A	75		

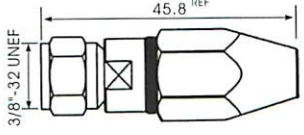

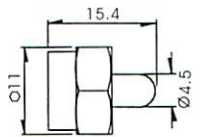

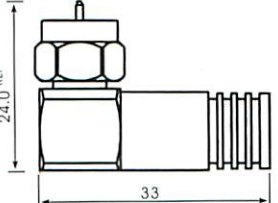

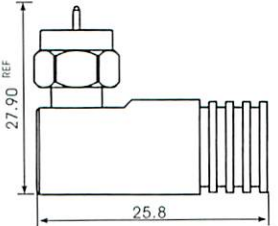

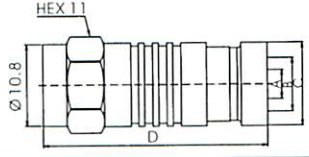

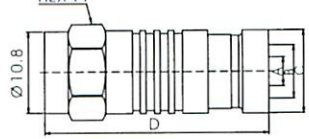

F-7321 F Male Twist On Teflon Insulator				
P/N	CABLE GROUP	IMPEDANCE		
7321	RG-58/U RG-59/U RG-6/U	50 75 75		

F-7322 F Male Twist On Teflon Insulator				
P/N	CABLE GROUP	IMPEDANCE		
7322	RG-11/U	75		

F-7323 F Male Twist On				
P/N	CABLE GROUP	IMPEDANCE		
7323	N/A	75		

F-7324 F Male Twist On				
P/N	CABLE GROUP	IMPEDANCE		
7324	RG-213/U	75		

F MALE Series

F-7325 F Male Water Proof																				
<table border="1"> <thead> <tr> <th>P/N</th> <th>CABLE GROUP</th> <th>IMPEDANCE</th> </tr> </thead> <tbody> <tr> <td>7325</td> <td>RG-59/U</td> <td>75</td> </tr> <tr> <td></td> <td>RG-6/U</td> <td>59</td> </tr> <tr> <td></td> <td>5C</td> <td>75</td> </tr> <tr> <td></td> <td>10.7m</td> <td>75</td> </tr> </tbody> </table>	P/N	CABLE GROUP			IMPEDANCE	7325	RG-59/U	75		RG-6/U	59		5C	75		10.7m	75			
P/N	CABLE GROUP	IMPEDANCE																		
7325	RG-59/U	75																		
	RG-6/U	59																		
	5C	75																		
	10.7m	75																		
F-7326 F Male Terminator(Dummy Loud)75Ω																				
<table border="1"> <thead> <tr> <th>P/N</th> <th>CABLE GROUP</th> <th>IMPEDANCE</th> </tr> </thead> <tbody> <tr> <td>7326</td> <td>N/A</td> <td>75</td> </tr> </tbody> </table>	P/N	CABLE GROUP			IMPEDANCE	7326	N/A	75												
P/N	CABLE GROUP	IMPEDANCE																		
7326	N/A	75																		
F-7327 F Male Right Angle Crimp																				
<table border="1"> <thead> <tr> <th>P/N</th> <th>CABLE GROUP</th> <th>IMPEDANCE</th> </tr> </thead> <tbody> <tr> <td>7327</td> <td>RG-6/U</td> <td>75</td> </tr> </tbody> </table>	P/N	CABLE GROUP			IMPEDANCE	7327	RG-6/U	75												
P/N	CABLE GROUP	IMPEDANCE																		
7327	RG-6/U	75																		
F-7328 F Male Right Angle Crimp																				
<table border="1"> <thead> <tr> <th>P/N</th> <th>CABLE GROUP</th> <th>IMPEDANCE</th> </tr> </thead> <tbody> <tr> <td>7328</td> <td>RG-11/U</td> <td>75</td> </tr> </tbody> </table>	P/N	CABLE GROUP			IMPEDANCE	7328	RG-11/U	75												
P/N	CABLE GROUP	IMPEDANCE																		
7328	RG-11/U	75																		
F-7329 F Compression Male			F Compression Male <table border="1"> <thead> <tr> <th></th> <th>A</th> <th>B</th> <th>C</th> <th>D</th> </tr> </thead> <tbody> <tr> <td>4C3</td> <td>Ø3.8</td> <td>Ø7</td> <td>Ø11</td> <td>30</td> </tr> <tr> <td>5C3</td> <td>Ø4.8</td> <td>Ø8</td> <td>Ø11</td> <td>30</td> </tr> </tbody> </table>		A	B	C	D	4C3	Ø3.8	Ø7	Ø11	30	5C3	Ø4.8	Ø8	Ø11	30		
	A	B	C	D																
4C3	Ø3.8	Ø7	Ø11	30																
5C3	Ø4.8	Ø8	Ø11	30																
<table border="1"> <thead> <tr> <th>P/N</th> <th>CABLE GROUP</th> <th>IMPEDANCE</th> </tr> </thead> <tbody> <tr> <td>7329</td> <td>N/A</td> <td>75</td> </tr> </tbody> </table>	P/N	CABLE GROUP	IMPEDANCE	7329	N/A	75														
P/N	CABLE GROUP	IMPEDANCE																		
7329	N/A	75																		
F-7330 F Compression Male			F Compression Male <table border="1"> <thead> <tr> <th></th> <th>A</th> <th>B</th> <th>C</th> <th>D</th> </tr> </thead> <tbody> <tr> <td>4C4</td> <td>Ø3.8</td> <td>Ø7.5</td> <td>Ø11</td> <td>30.5</td> </tr> <tr> <td>5C4</td> <td>Ø4.8</td> <td>Ø8.4</td> <td>Ø11</td> <td>30.0</td> </tr> </tbody> </table>		A	B	C	D	4C4	Ø3.8	Ø7.5	Ø11	30.5	5C4	Ø4.8	Ø8.4	Ø11	30.0		
	A	B	C	D																
4C4	Ø3.8	Ø7.5	Ø11	30.5																
5C4	Ø4.8	Ø8.4	Ø11	30.0																
<table border="1"> <thead> <tr> <th>P/N</th> <th>CABLE GROUP</th> <th>IMPEDANCE</th> </tr> </thead> <tbody> <tr> <td>7330</td> <td>N/A</td> <td>75</td> </tr> </tbody> </table>	P/N	CABLE GROUP	IMPEDANCE	7330	N/A	75														
P/N	CABLE GROUP	IMPEDANCE																		
7330	N/A	75																		

F FEMALE Series

7

F-7401 F Female Bulkhead				
P/N	CABLE GROUP	IMPEDANCE		
7401	N/A	75		

F-7402 F Female Bulkhead				
P/N	CABLE GROUP	IMPEDANCE		
7402	N/A	75		

F-7403 F Female Bulkhead				
P/N	CABLE GROUP	IMPEDANCE		
7403	N/A	75		

F-7404 F Female Crimp				
P/N	CABLE GROUP	IMPEDANCE		
7404	N/A	50		

F-7405 F Female Bulkhead(F61)				
P/N	CABLE GROUP	IMPEDANCE		
7405	RG-58/U RG-59/U RG-6/U RG-174/U	50 75 75 50		

With Washen & Nuts
W/O Washen & Nuts

F-7406 F Female Bulkhead				
P/N	CABLE GROUP	IMPEDANCE		
7406	N/A	75		

With Washen & Nuts
W/O Washen & Nuts

F FEMALE Series



F-7407 F Female Bulkhead				
P/N	CABLE GROUP	IMPEDANCE		
7407	N/A	75		

F-7408 F Female Bulkhead				
P/N	CABLE GROUP	IMPEDANCE		
7408	N/A	75		

F-7409 F Female PCB Mount				
P/N	CABLE GROUP	IMPEDANCE		
7409	N/A	75		

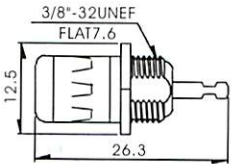

F-7410 F Female PCB Mount				
P/N	CABLE GROUP	IMPEDANCE		
7410	N/A	75		



F-7411 F Female Right Angle PCB Mount				
P/N	CABLE GROUP	IMPEDANCE		
7411	N/A	75		

F-7412 F Female				
P/N	CABLE GROUP	IMPEDANCE		
7412	N/A	75		

F FEMALE Series



F-7413 F Connector Bulkhead				
P/N	CABLE GROUP	IMPEDANCE		
7413	N/A	75		

F-7414 F Female PCB Mount				
P/N	CABLE GROUP	IMPEDANCE		
7414	N/A	75		

P/N	CABLE GROUP	IMPEDANCE

P/N	CABLE GROUP	IMPEDANCE

P/N	CABLE GROUP	IMPEDANCE

P/N	CABLE GROUP	IMPEDANCE

F ADAPTOR Series



F-7501 F Connector Adaptor				
P/N	CABLE GROUP	IMPEDANCE		
7501	RG-59/U RG-6/U	75 75		

F-7502 F Male Splice Adaptor				
P/N	CABLE GROUP	IMPEDANCE		
7502	N/A	75		

F-7503 F Male Splice Adaptor				
P/N	CABLE GROUP	IMPEDANCE		
7503	N/A	75		

F-7504 F Quick Male Splice Adaptor				
P/N	CABLE GROUP	IMPEDANCE		
7504	N/A	75		

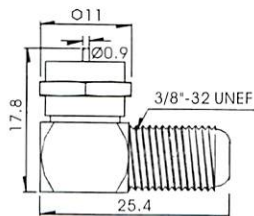
F-7505 F Male to F Female Adaptor				
P/N	CABLE GROUP	IMPEDANCE		
7505	N/A	75		

F-7506 F Quick Male to F Female Adaptor				
P/N	CABLE GROUP	IMPEDANCE		
7506	N/A	75		

F ADAPTOR Series

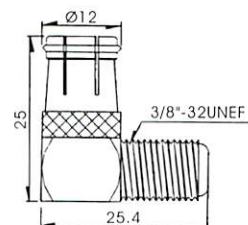
F-7507 F Male to F Female Adaptor Right Angle

P/N	CABLE GROUP	IMPEDANCE
7507	N/A	75



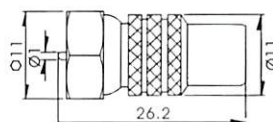
F-7508 F Quick Male to F Female Adaptor Right Angle

P/N	CABLE GROUP	IMPEDANCE
7508	N/A	75



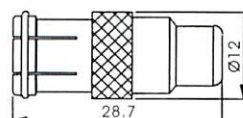
F-7509 F Male to RCA Female Adaptor

P/N	CABLE GROUP	IMPEDANCE
7509	N/A	75



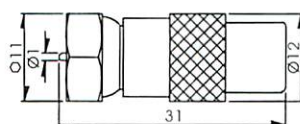
F-7510 F Quick Male to RCA Female Adaptor

P/N	CABLE GROUP	IMPEDANCE
7510	N/A	75



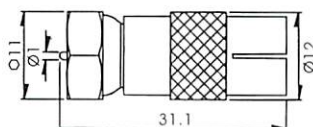
F-7511 F Male to IEC ϕ 9.5 Male Adaptor

P/N	CABLE GROUP	IMPEDANCE
7511	N/A	75

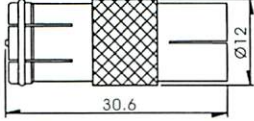

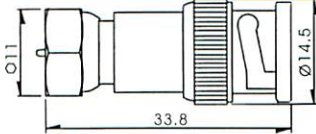

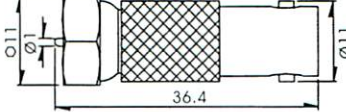

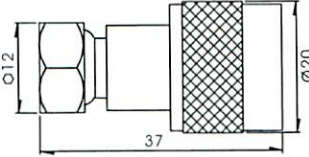

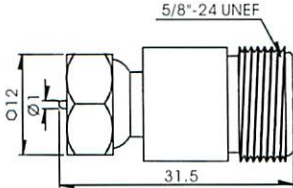

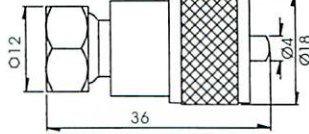



F-7512 F Female to IEC ϕ 9.5 Female Adaptor

P/N	CABLE GROUP	IMPEDANCE
7512	N/A	75



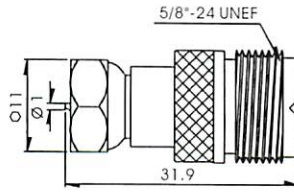
F ADAPTOR Series

F-7513 F Quick Male to IEC $\varnothing 9.5$ Female Adaptor				
P/N	CABLE GROUP	IMPEDANCE		
7513	N/A	75		
F-7514 F Male to BNC Female Adaptor				
P/N	CABLE GROUP	IMPEDANCE		
7514	N/A	75		
F-7515 BNC Male to F Male Adaptor				
P/N	CABLE GROUP	IMPEDANCE		
7515	N/A	75		
F-7516 F Male to N Male Adaptor				
P/N	CABLE GROUP	IMPEDANCE		
7516	N/A	75		
F-7517 F Male to N Female Adaptor				
P/N	CABLE GROUP	IMPEDANCE		
7517	N/A	75		
F-7518 F Male to UHF Male Adaptor				
P/N	CABLE GROUP	IMPEDANCE		
7518	N/A	75		

F ADAPTOR Series

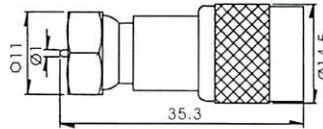
F-7519 F Male to UHF Female Adaptor

P/N	CABLE GROUP	IMPEDANCE
7519	N/A	75



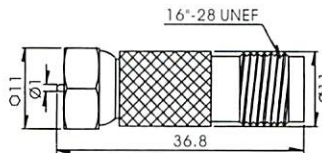
F-7520 F Male to TNC Male Adaptor

P/N	CABLE GROUP	IMPEDANCE
7520	N/A	75



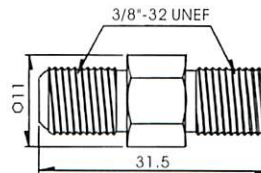
F-7521 F Male to TNC Female Adaptor

P/N	CABLE GROUP	IMPEDANCE
7521	N/A	75



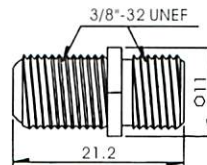
F-7522 F Female Splice Adaptor

P/N	CABLE GROUP	IMPEDANCE
7522	N/A	75



F-7523 F Female Splice Adaptor

P/N	CABLE GROUP	IMPEDANCE
7523	N/A	75

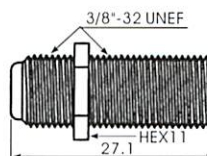


With Washen & Nuts
W/O Washen & Nuts



F-7524 F Female Splice Adaptor

P/N	CABLE GROUP	IMPEDANCE
7524	N/A	75



F ADAPTOR Series

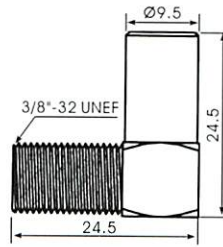
F-7525 F Female to 3.5 Mono Male Adaptor				
P/N	CABLE GROUP	IMPEDANCE		
7525	N/A	75		
F-7526 F Female to RCA Female Adaptor				
P/N	CABLE GROUP	IMPEDANCE		
7526	N/A	750		
F-7527 RCA Male to Female Adaptor				
P/N	CABLE GROUP	IMPEDANCE		
7527	N/A	75		
F-7528 F Female to RCA Female Adaptor				
P/N	CABLE GROUP	IMPEDANCE		
7528	N/A	75		
F-7529 F Female to RCA Female Adaptor				
P/N	CABLE GROUP	IMPEDANCE		
7529	N/A	75		
F-7530 F Female to IEC Ø9.5 Female Adaptor				
P/N	CABLE GROUP	IMPEDANCE		
7530	N/A	75		

F ADAPTOR Series

F-7531

F Female to IEC ϕ 9.5 Male Adaptor Right Angle

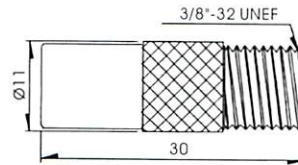
P/N	CABLE GROUP	IMPEDANCE
7531	N/A	75



F-7532

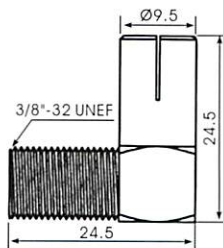
F Female to IEC ϕ 9.5 Male Adaptor

P/N	CABLE GROUP	IMPEDANCE
7532	N/A	75



F-7533 F Female to IEC ϕ 9.5 Female Adaptor Right Angle

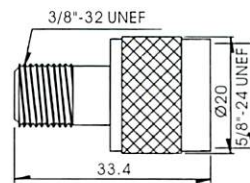
P/N	CABLE GROUP	IMPEDANCE
7533	N/A	75



F-7534

F Female to N Male Adaptor

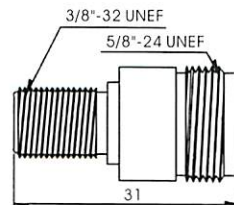
P/N	CABLE GROUP	IMPEDANCE
7534	N/A	75



F-7535

F Female to N Female Adaptor

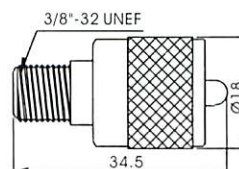
P/N	CABLE GROUP	IMPEDANCE
7535	N/A	75



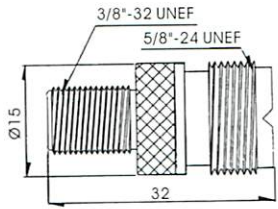

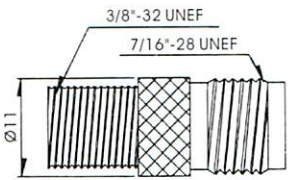

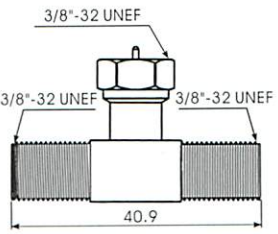

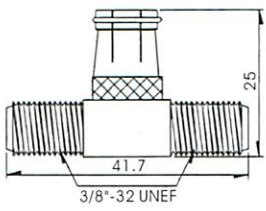

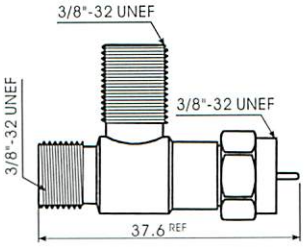

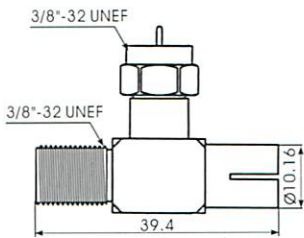

F-7536

UHF Male to F Female Adaptor

P/N	CABLE GROUP	IMPEDANCE
7536	N/A	75



F ADAPTOR Series

F-7537 F Female to UHF Female Adaptor				
P/N	CABLE GROUP	IMPEDANCE		
7537	N/A	75		
F-7538 F Female to TNC Female Adaptor				
P/N	CABLE GROUP	IMPEDANCE		
7538	N/A	75		
F-7539 F Female to F Double Female Adaptor				
P/N	CABLE GROUP	IMPEDANCE		
7539	N/A	75		
F-7540 F Quick Male Double F Female Adaptor				
P/N	CABLE GROUP	IMPEDANCE		
7540	N/A	75		
F-7541 F Double Female to Male Adaptor				
P/N	CABLE GROUP	IMPEDANCE		
7541	N/A	75		
F-7542 F Male to F Female & IEC ϕ 9.5 Female Adaptor				
P/N	CABLE GROUP	IMPEDANCE		
7542	N/A	75		

F ADAPTOR Series

7

F-7543 T Triple Female(T Type) Adaptor								
<table border="1"> <thead> <tr> <th>P/N</th> <th>CABLE GROUP</th> <th>IMPEDANCE</th> </tr> </thead> <tbody> <tr> <td>7543</td> <td>N/A</td> <td>75</td> </tr> </tbody> </table>	P/N	CABLE GROUP			IMPEDANCE	7543	N/A	75
P/N	CABLE GROUP	IMPEDANCE						
7543	N/A	75						

F-7544 F Female to RCA Female Adaptor								
<table border="1"> <thead> <tr> <th>P/N</th> <th>CABLE GROUP</th> <th>IMPEDANCE</th> </tr> </thead> <tbody> <tr> <td>7544</td> <td>N/A</td> <td>75</td> </tr> </tbody> </table>	P/N	CABLE GROUP			IMPEDANCE	7544	N/A	75
P/N	CABLE GROUP	IMPEDANCE						
7544	N/A	75						

F-7545 F Female to F Female Adaptor								
<table border="1"> <thead> <tr> <th>P/N</th> <th>CABLE GROUP</th> <th>IMPEDANCE</th> </tr> </thead> <tbody> <tr> <td>7545</td> <td>N/A</td> <td>75</td> </tr> </tbody> </table>	P/N	CABLE GROUP			IMPEDANCE	7545	N/A	75
P/N	CABLE GROUP	IMPEDANCE						
7545	N/A	75						

F-7547 F Female to RCA Female Adaptor								
<table border="1"> <thead> <tr> <th>P/N</th> <th>CABLE GROUP</th> <th>IMPEDANCE</th> </tr> </thead> <tbody> <tr> <td>7547</td> <td>N/A</td> <td>75</td> </tr> </tbody> </table>	P/N	CABLE GROUP			IMPEDANCE	7547	N/A	75
P/N	CABLE GROUP	IMPEDANCE						
7547	N/A	75						

P/N	CABLE GROUP	IMPEDANCE

P/N	CABLE GROUP	IMPEDANCE