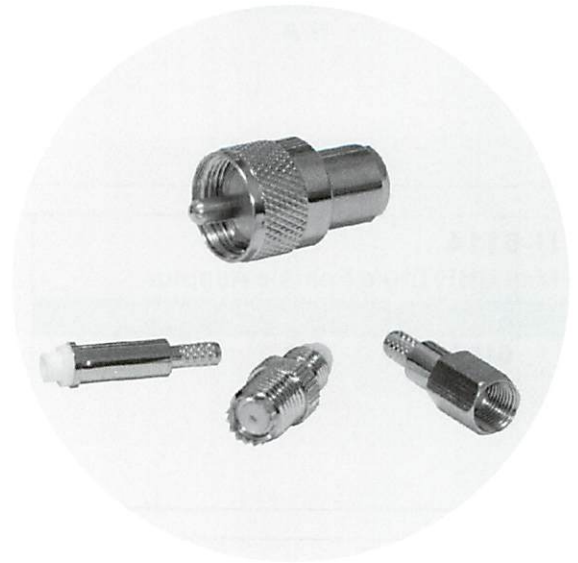


FME connectors were originally developed for the European wireless market, but have recently seen an increase in popularity globally.

Applications are in the GPS, mobile and WLAN sectors of the communications industry.



Electrical:

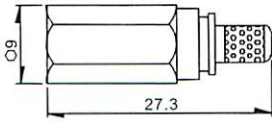

Impedance		50 ohm
Frequency Range		0-3 GHz
Working Voltage		500 VRMS max
Dielectric Wuthstanding Voltage		1000 VRMS max
VAWR	Straight	1.3 max
	Right Angle	1.5 max
Contact Resistance	Center Contact	10 Milliohms Max.
	Outer Contact	5 Milliohms Max.
Insulator Resistance		5000 Megohms min.

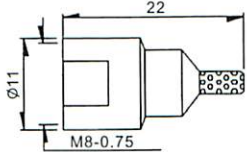

Meaterial:

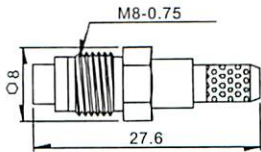

Parts name	Material	Plating
Body, Metal Parts	Brass per QQ-B-626	Nickel or Gold
Center Contacts	Male:Brass per QQ-B-626	Nickel or Gold
	Female:Phosphor Brass per QQ-B-750	Nickel or Gold
Insulators	PTFE, Delrin	None
Crimp Ferrules	Annealed copper	Nickel or Gold

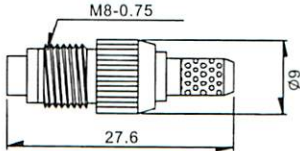

NOTE:Other Material/Finish is Available on Request.

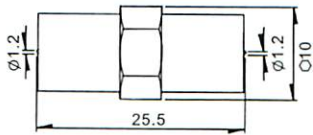

FME (SAP) Series

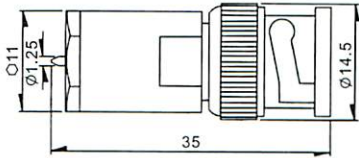

E-5401 FME Male Crimp				
P/N	CABLE GROUP	IMPEDANCE		
5401	RG-58/U RG-59/U RG-174/U	50 75 75		

E-5402 FME Male Crimp				
P/N	CABLE GROUP	IMPEDANCE		
5402	RG-58/U RG-59/U RG-174/U	50 75 75		

E-5403 FME Female Crimp				
P/N	CABLE GROUP	IMPEDANCE		
5403	RG-58/U RG-59/U RG-174/U	50 75 75		

E-5404 FME Female Crimp				
P/N	CABLE GROUP	IMPEDANCE		
5404	RG-58/U RG-59/U RG-174/U	50 75 75		

E-5405 FME Double Male Adaptor				
P/N	CABLE GROUP	IMPEDANCE		
5405	N/A	50		

E-5406 FME Male to BNC Male Adaptor				
P/N	CABLE GROUP	IMPEDANCE		
5406	N/A	50		

FME

FME (SAP) Series

E-5407 FME Male to BNC Male Adaptor				
P/N	CABLE GROUP	IMPEDANCE		
5407	N/A	50		

E-5408 FME Male to BNC Male Adaptor Right Angle				
P/N	CABLE GROUP	IMPEDANCE		
5408	N/A	50		

E-5409 FME Male to BNC Female Adaptor				
P/N	CABLE GROUP	IMPEDANCE		
5409	N/A	50		

E-5410 FME Male to N Male Adaptor				
P/N	CABLE GROUP	IMPEDANCE		
5410	N/A	50		

E-5411 FME Male to UHF Male Adaptor				
P/N	CABLE GROUP	IMPEDANCE		
5411	N/A	50		

E-5412 FME Male to Mini UHF Male Adaptor				
P/N	CABLE GROUP	IMPEDANCE		
5412	N/A	50		

FME

FME (SAP) Series

E-5413 FME Male to Mini UHF Male Adaptor				
P/N	CABLE GROUP	IMPEDANCE		
5413	N/A	50		
E-5414 FME Male to Mini UHF Female Adaptor				
P/N	CABLE GROUP	IMPEDANCE		
5414	N/A	50		
E-5415 FME Male to TNC Male Adaptor				
P/N	CABLE GROUP	IMPEDANCE		
5415	N/A	50		
E-5416 FME Male to TNC Male Adaptor				
P/N	CABLE GROUP	IMPEDANCE		
5416	N/A	50		
E-5417 FME Male to TNC Male Adaptor Right Angle				
P/N	CABLE GROUP	IMPEDANCE		
5417	N/A	50		
E-5418 FME Male to TNC Female Adaptor				
P/N	CABLE GROUP	IMPEDANCE		
5418	N/A	50		

FME

FME (SAP) Series

E-5419 FME Male to SMA Male Adaptor				
P/N	CABLE GROUP	IMPEDANCE		
5419	N/A	50		

E-5420 FME Double Female Adaptor				
P/N	CABLE GROUP	IMPEDANCE		
5420	N/A	50		

E-5421 FME Female to BNC Male Adaptor				
P/N	CABLE GROUP	IMPEDANCE		
5421	N/A	50		

E-5422 FME Female to BNC Female Adaptor				
P/N	CABLE GROUP	IMPEDANCE		
5422	N/A	50		

E-5423 FME Female to Mini UHF Male Adaptor				
P/N	CABLE GROUP	IMPEDANCE		
5423	N/A	50		

E-5424 FME Female to Mini UHF Female Adaptor				
P/N	CABLE GROUP	IMPEDANCE		
5424	N/A	50		

FME

FME (SAP) Series

E-5425 FME Female to TNC Male Adaptor				
P/N	CABLE GROUP	IMPEDANCE		
5425	N/A	50		

E-5426 FME Female to TNC Female Adaptor				
P/N	CABLE GROUP	IMPEDANCE		
5426	N/A	50		

E-5427 FME Female to SMA Male Adaptor				
P/N	CABLE GROUP	IMPEDANCE		
5427	N/A	50		

E-5428 FME Female to SMA Female Adaptor				
P/N	CABLE GROUP	IMPEDANCE		
5428	N/A	50		

P/N	CABLE GROUP	IMPEDANCE

P/N	CABLE GROUP	IMPEDANCE

FME