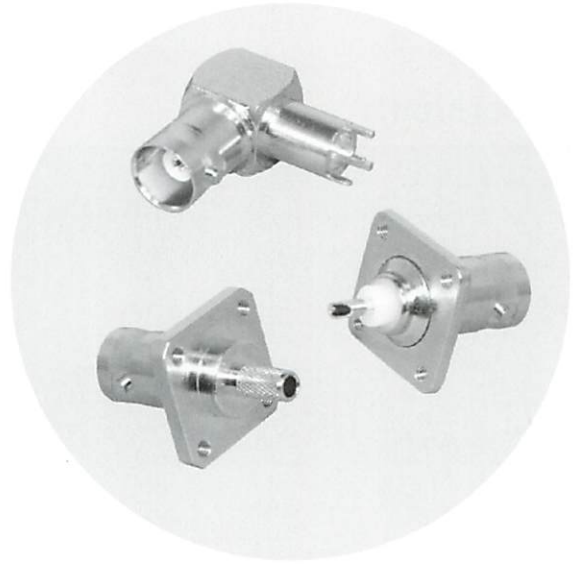
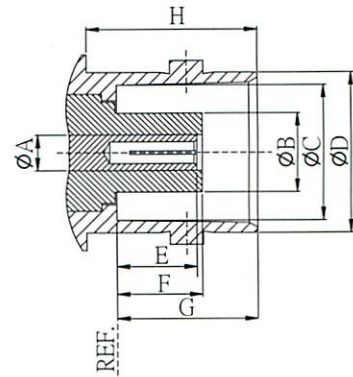
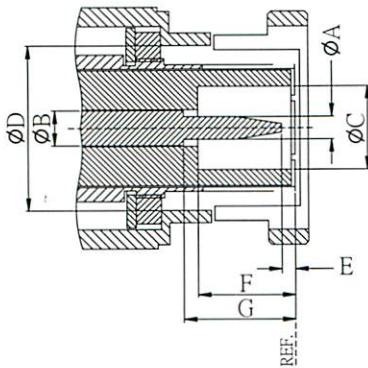


BNC are the most popular coaxial connectors which are characterized by their 2-stud quick connect / disconnect bayonet lock coupling arrangement. They are miniature, light-weight, and designed to Provide 50 ohm (frequency up to 4GHz) & 75 ohm (up to 2GHz). It is suitable for a wide range of systems, including radio telecommunication systems, audio, video, medical equipment and test instrumentation.



BNC

Interface dimensions:



MALE(PLUG) mm		
	Min.	Max.
A	1.32	1.37
B	2.06	2.21
C	4.83	-
D	9.78	9.91
E	0.08	-
F	5.28	5.79
G	5.33	5.84

FEMALE(JACK) mm		
	Min.	Max.
A	2.06	2.21
B	-	4.72
C	8.10	8.15
D	9.60	9.70
E	4.72	5.23
F	4.78	5.28
G	8.31	8.51
H	10.52	-

Electrical:

Impedance		50 ohm	75 ohm
Frequency Range		0-4 GHz	0-1 GHz
Working Voltage		500 VRMS max	500 VRMS max
Dielectric Wuthstanding Voltage		1500 VRMS max	1500 VRMS max
VAWR	Straight	1.3 max	1.3 max
	Right Angle	1.5 max	1.5 max
Contact Resistance	Center Contact	3 Milliohms Max.	3 Milliohms Max.
	Outer Contact	2 Milliohms Max.	2 Milliohms Max.
Insulator Resistance		5000 Megohms min.	5000 Megohms min.

Meaterial:

Parts name	Material	Plating
Body, Metal Parts	Brass per QQ-B-626	Nickel or ENI per requirement
Center Contacts	Male:Brass per QQ-B-626	Gold
	Female:Beryllium copper per QQ-C-530 or Phosphor Bronze per QQ-B-750 or Brass per QQ-B-626	
Insulators	PTFE, Delrin, PBT polyester	None
Crimp Ferrules	Annealed copper	Nickel or ENI per requirement
Clamp Gaskets	Silicone rubber, Synthetic rubber	None

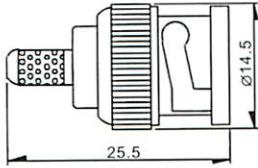

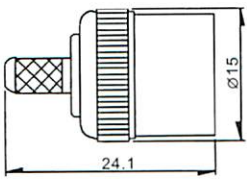

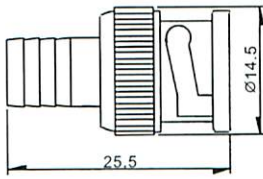

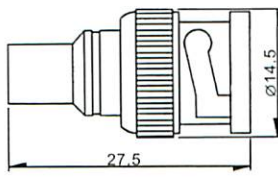

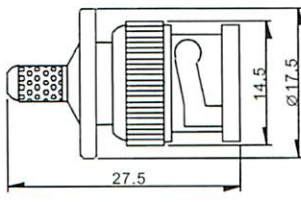

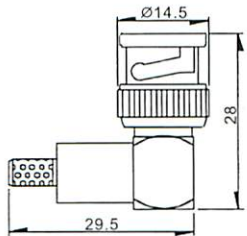

NOTE:Other Material/Finish is Available on Request.

Mechanical & Environmental:

Engagement Force	2.5 in-lbs. max.
Disengagement Force	3 lbs. max.
Coupling Proof Torque	100 lbs. min.
Contact Retention	6 lbs. min
Durability(Mating)	500 cycles min. (for Beryllium copper female contact only)
Temperature Range	-65°C to 165°C
Vibration	MIL-STD-202 Method 204 Test Cond.B.
Salt Spray	MIL-STD-202 Method 101 Test Cond.B.
Thermal Shock	MIL-STD-202 Method 107 Test Cond.B.

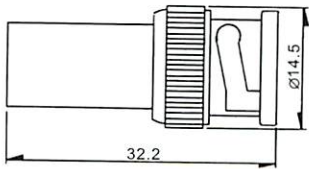

BNC Series

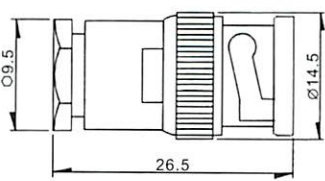

BNC

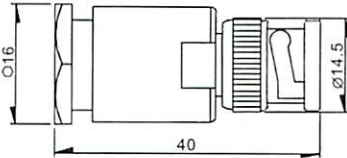

B-5601 BNC Male Crimp																
<table border="1"> <thead> <tr> <th>P/N</th> <th>CABLE GROUP</th> <th>IMPEDANCE</th> </tr> </thead> <tbody> <tr> <td>5601</td> <td>RG-58/U</td> <td>50</td> </tr> <tr> <td></td> <td>RG-59/U</td> <td>75</td> </tr> <tr> <td></td> <td>RG-6/U</td> <td>75</td> </tr> <tr> <td></td> <td>RG-213/U</td> <td>50</td> </tr> </tbody> </table>	P/N	CABLE GROUP			IMPEDANCE	5601	RG-58/U	50		RG-59/U	75		RG-6/U	75		RG-213/U
P/N	CABLE GROUP	IMPEDANCE														
5601	RG-58/U	50														
	RG-59/U	75														
	RG-6/U	75														
	RG-213/U	50														
B-5602 BNC Male Crimp On Type																
<table border="1"> <thead> <tr> <th>P/N</th> <th>CABLE GROUP</th> <th>IMPEDANCE</th> </tr> </thead> <tbody> <tr> <td>5602</td> <td>N/A</td> <td>50</td> </tr> </tbody> </table>	P/N	CABLE GROUP			IMPEDANCE	5602	N/A	50								
P/N	CABLE GROUP	IMPEDANCE														
5602	N/A	50														
B-5603 BNC Male Quick Crimp																
<table border="1"> <thead> <tr> <th>P/N</th> <th>CABLE GROUP</th> <th>IMPEDANCE</th> </tr> </thead> <tbody> <tr> <td>5603</td> <td>RG-58/U</td> <td>50</td> </tr> <tr> <td></td> <td>RG-59/U</td> <td>75</td> </tr> <tr> <td></td> <td>RG-6/U</td> <td>75</td> </tr> <tr> <td></td> <td>RG-174/U</td> <td>50</td> </tr> </tbody> </table>	P/N	CABLE GROUP			IMPEDANCE	5603	RG-58/U	50		RG-59/U	75		RG-6/U	75		RG-174/U
P/N	CABLE GROUP	IMPEDANCE														
5603	RG-58/U	50														
	RG-59/U	75														
	RG-6/U	75														
	RG-174/U	50														
B-5604 BNC Male Molded & Crimp(OD:9.5m/m)																
<table border="1"> <thead> <tr> <th>P/N</th> <th>CABLE GROUP</th> <th>IMPEDANCE</th> </tr> </thead> <tbody> <tr> <td>5604</td> <td>RG-58/U</td> <td>50</td> </tr> <tr> <td></td> <td>RG-59/U</td> <td>75</td> </tr> <tr> <td></td> <td>RG-6/U</td> <td>75</td> </tr> <tr> <td></td> <td>RG-174/U</td> <td>50</td> </tr> </tbody> </table>	P/N	CABLE GROUP			IMPEDANCE	5604	RG-58/U	50		RG-59/U	75		RG-6/U	75		RG-174/U
P/N	CABLE GROUP	IMPEDANCE														
5604	RG-58/U	50														
	RG-59/U	75														
	RG-6/U	75														
	RG-174/U	50														
B-5605 BNC Male Panel Mount Crimp																
<table border="1"> <thead> <tr> <th>P/N</th> <th>CABLE GROUP</th> <th>IMPEDANCE</th> </tr> </thead> <tbody> <tr> <td>5605</td> <td>RG-58/U</td> <td>50</td> </tr> <tr> <td></td> <td>RG-59/U</td> <td>75</td> </tr> <tr> <td></td> <td>RG-6/U</td> <td>75</td> </tr> <tr> <td></td> <td>RG-174/U</td> <td>50</td> </tr> </tbody> </table>	P/N	CABLE GROUP			IMPEDANCE	5605	RG-58/U	50		RG-59/U	75		RG-6/U	75		RG-174/U
P/N	CABLE GROUP	IMPEDANCE														
5605	RG-58/U	50														
	RG-59/U	75														
	RG-6/U	75														
	RG-174/U	50														
B-5606 BNC Male Right Angle Crimp																
<table border="1"> <thead> <tr> <th>P/N</th> <th>CABLE GROUP</th> <th>IMPEDANCE</th> </tr> </thead> <tbody> <tr> <td>5606</td> <td>RG-58/U</td> <td>50</td> </tr> <tr> <td></td> <td>RG-59/U</td> <td>75</td> </tr> <tr> <td></td> <td>RG-6/U</td> <td>75</td> </tr> </tbody> </table>	P/N	CABLE GROUP			IMPEDANCE	5606	RG-58/U	50		RG-59/U	75		RG-6/U	75		
P/N	CABLE GROUP	IMPEDANCE														
5606	RG-58/U	50														
	RG-59/U	75														
	RG-6/U	75														

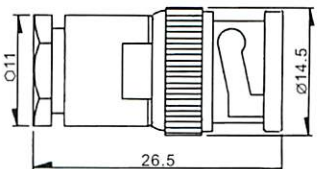

BNC Series

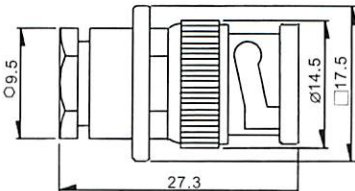

BNC

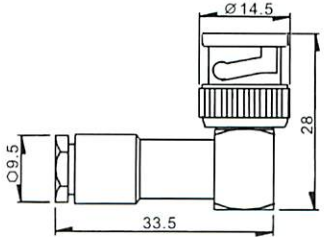

B-5607 BNC Male Crimp				
P/N	CABLE GROUP	IMPEDANCE		
5607	N/A	50		

B-5608 BNC Male Clamp				
P/N	CABLE GROUP	IMPEDANCE		
5608	RG-58/U RG-59/U RG-6/U	50 75 75		

B-5609 BNC Male Clamp				
P/N	CABLE GROUP	IMPEDANCE		
5609	RG-58/U RG-59/U RG-213/U	50 75 50		

B-5610 BNC Male Taper Grip				
P/N	CABLE GROUP	IMPEDANCE		
5610	RG-58/U RG-59/U RG-213/U	50 75 50		

B-5611 BNC Male Panel Mount Clamp				
P/N	CABLE GROUP	IMPEDANCE		
5611	RG-58/U RG-59/U RG-6/U	50 75 75		

B-5612 BNC Male Right Angle Crimp				
P/N	CABLE GROUP	IMPEDANCE		
5612	RG-58/U RG-59/U RG-6/U	50 75 75		

BNC Series

BNC

B-5613
BNC Male Twist On

P/N	CABLE GROUP	IMPEDANCE
5613	RG-58/U RG-59/U RG-6/U	50 75 75

B-5614
BNC Male Right Angle Twist On

P/N	CABLE GROUP	IMPEDANCE
5614	RG-58/U RG-59/U RG-6/U	50 75 75

B-5615
BNC Male Rapid

P/N	CABLE GROUP	IMPEDANCE
5615	N/A	50

B-5616
BNC Male Clamp Lock

P/N	CABLE GROUP	IMPEDANCE
5616	N/A	50

B-5617
BNC Male Lock Common

P/N	CABLE GROUP	IMPEDANCE
5617	N/A	50

B-5618
BNC Male Solder Bulkhead

P/N	CABLE GROUP	IMPEDANCE
5618	N/A	50 75

BNC Series

BNC

B-5619 BNC Male Panel Mount				
P/N	CABLE GROUP	IMPEDANCE		
5619	N/A	50		

B-5620 BNC Male Terminator				
P/N	CABLE GROUP	IMPEDANCE		
5620	N/A	50		
		75		
		93		

B-5621 BNC Male Terminator 1/2W				
P/N	CABLE GROUP	IMPEDANCE		
5621	N/A	50		
		75		
		95		

B-5622 BNC Male Terminator				
P/N	CABLE GROUP	IMPEDANCE		
5622	N/A	50		
		75		
		93		

B-5623 BNC Male Terminator 1/2W				
P/N	CABLE GROUP	IMPEDANCE		
5623	N/A	50		
		75		
		93		

B-5624 BNC Male Molded				
P/N	CABLE GROUP	IMPEDANCE		
5624	N/A	50		

BNC Series

BNC

B-5625 BNC Male Molded				
P/N	CABLE GROUP	IMPEDANCE		
5625	N/A	50		

B-5626 BNC Male Antenna Mount				
P/N	CABLE GROUP	IMPEDANCE		
5626	N/A	50		

B-5627 BNC Terminator Protective Cap				
P/N	CABLE GROUP	IMPEDANCE		
5627	N/A	50		

B-5628 BNC Female Protective Cap				
P/N	CABLE GROUP	IMPEDANCE		
5628	N/A	50		

B-5630 BNC Male Clamp				
P/N	CABLE GROUP	IMPEDANCE		
5630	N/A	50		

P/N	CABLE GROUP	IMPEDANCE

BNC Series

BNC

B-5701
BNC Female Crimp

P/N	CABLE GROUP	IMPEDANCE
5701	RG-58/U	50
	RG-59/U	75
	RG-6/U	75
	RG-174/U	50

B-5702
BNC Female Crimp

P/N	CABLE GROUP	IMPEDANCE
5702	RG-58/U	50
	RG-59/U	75
	RG-6/U	75
	RG-174/U	50

B-5703
BNC Female Bulkhead Crimp

P/N	CABLE GROUP	IMPEDANCE
5703	RG-58/U	50
	RG-59/U	75
	RG-6/U	75
	RG-174/U	50

B-5704
BNC Female Bulkhead Crimp

P/N	CABLE GROUP	IMPEDANCE
5704	RG-58/U	50
	RG-59/U	75
	RG-6/U	75
	RG-174/U	50

B-5705
BNC Female Panel Crimp

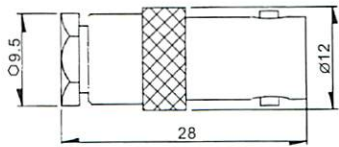

P/N	CABLE GROUP	IMPEDANCE
5705	RG-58/U	50
	RG-59/U	75
	RG-6/U	75
	RG-174/U	50

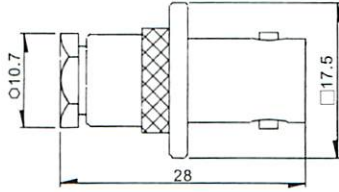

B-5706
BNC Female Quick Crimp

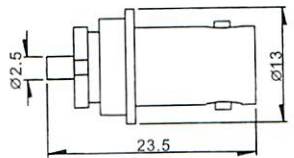

P/N	CABLE GROUP	IMPEDANCE
5706	RG-58/U	50
	RG-59/U	75
	RG-6/U	75

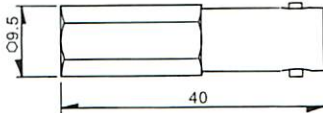

BNC Series

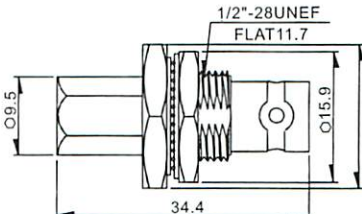

BNC

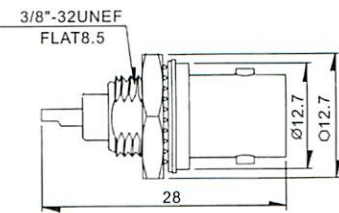

B-5707 BNC Female Clamp				
P/N	CABLE GROUP	IMPEDANCE		
5707	RG-58/U RG-59/U RG-6/U	50 75 75		

B-5708 BNC Female Panel Clamp				
P/N	CABLE GROUP	IMPEDANCE		
5708	RG-58/U RG-59/U RG-6/U	50 75 75		

B-5709 BNC Female Molded				
P/N	CABLE GROUP	IMPEDANCE		
5709	N/A	50		

B-5710 BNC Female Twist On				
P/N	CABLE GROUP	IMPEDANCE		
5710	RG-58/U RG-59/U RG-6/U	50 75 75		

B-5711 BNC Female Bulkhead Twist On				
P/N	CABLE GROUP	IMPEDANCE		
5711	RG-58/U RG-59/U RG-6/U	50 75 75		

B-5712 BNC Female Bulkhead				
P/N	CABLE GROUP	IMPEDANCE		
5712	N/A	50		

BNC Series

BNC

B-5713 BNC Female Bulkhead Long Thread					
P/N	CABLE GROUP	IMPEDANCE			
5713	N/A	50	With Washer + Nut W/O Washer + Nut		

B-5714 BNC Female Panel Mount					
P/N	CABLE GROUP	IMPEDANCE			
5614	N/A	50			

B-5715 BNC Female Panel Mount					
P/N	CABLE GROUP	IMPEDANCE			
5715	N/A	50			

B-5716 BNC Female Isolated Ground Bulkhead					
P/N	CABLE GROUP	IMPEDANCE			
5716	N/A	50			

B-5717 BNC Female PCB Mount					
P/N	CABLE GROUP	IMPEDANCE			
5717	N/A	50			

B-5718 BNC Female PCB Mount					
P/N	CABLE GROUP	IMPEDANCE			
5718	N/A	50			

BNC Series

BNC

B-5719 BNC Female Right Angle PCB Mount				
P/N	CABLE GROUP	IMPEDANCE		
5719	N/A	50		

B-5720 BNC Female Right Angle PCB Mount				
P/N	CABLE GROUP	IMPEDANCE		
5720	N/A	50		

B-5721 BNC Female PCB Mount				
P/N	CABLE GROUP	IMPEDANCE		
5721	N/A	50		

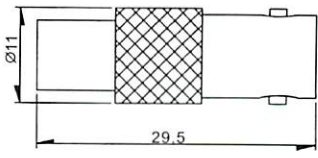

B-5722 BNC Female Right Angle Bulkhead				
P/N	CABLE GROUP	IMPEDANCE		
5722	N/A	50		

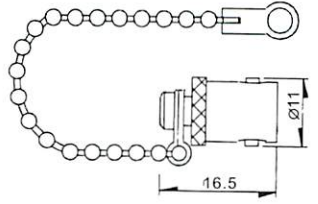

B-5723 BNC Female Vertical PCB Receptacle				
P/N	CABLE GROUP	IMPEDANCE		
5723	N/A	50		

B-5724 BNC Female Right Angle PCB Receptacle				
P/N	CABLE GROUP	IMPEDANCE		
5724	N/A	50		

BNC Series

BNC

B-5725 BNC Female Terminator				
P/N	CABLE GROUP	IMPEDANCE		
5725	N/A	50		

B-5726 BNC Male Protective Cap				
P/N	CABLE GROUP	IMPEDANCE		
5726	N/A	50		

P/N	CABLE GROUP	IMPEDANCE		

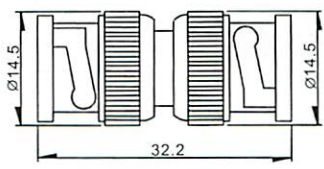

P/N	CABLE GROUP	IMPEDANCE		

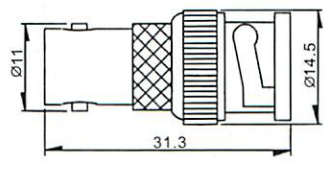

P/N	CABLE GROUP	IMPEDANCE		

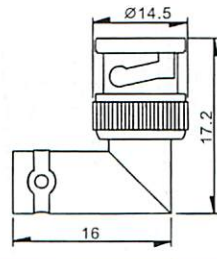

P/N	CABLE GROUP	IMPEDANCE		

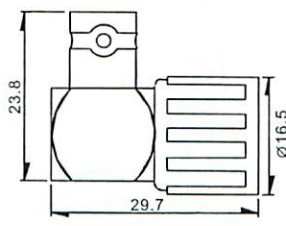

BNC Series

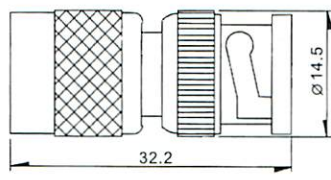

BNC

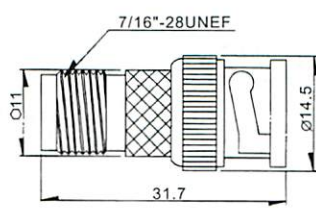

B-5801 BNC Male to Male Adaptor				
P/N	CABLE GROUP	IMPEDANCE		
5801	N/A	50		

B-5802 BNC Male to BNC Female Adaptor				
P/N	CABLE GROUP	IMPEDANCE		
5802	N/A	50		

B-5803 BNC Male to BNC Female Adaptor Right Angle				
P/N	CABLE GROUP	IMPEDANCE		
5803	N/A	50		

B-5804 BNC Male to BNC Female Adaptor Right Angle				
P/N	CABLE GROUP	IMPEDANCE		
5804	N/A	50		

B-5805 BNC Male to TNC Male Adaptor				
P/N	CABLE GROUP	IMPEDANCE		
5805	N/A	50		

B-5806 BNC Male to TNC Female Adaptor				
P/N	CABLE GROUP	IMPEDANCE		
5806	N/A	50		

BNC Series

BNC

B-5807 BNC Male to TNC Female Adaptor Right Angle				
P/N	CABLE GROUP	IMPEDANCE		
5807	N/A	50		

B-5808 BNC Male to N Male Adaptor				
P/N	CABLE GROUP	IMPEDANCE		
5808	N/A	50		

B-5809 BNC Male to UHF Male Adaptor				
P/N	CABLE GROUP	IMPEDANCE		
5809	N/A	50		

B-5810 BNC Male To UHF Female Adaptor				
P/N	CABLE GROUP	IMPEDANCE		
5810	N/A	50		

B-5811 BNC Male to UHF Female Adaptor				
P/N	CABLE GROUP	IMPEDANCE		
5811	N/A	50		

B-5812 BNC Male to UHF Female Adaptor Right Angle				
P/N	CABLE GROUP	IMPEDANCE		
5812	N/A	50		

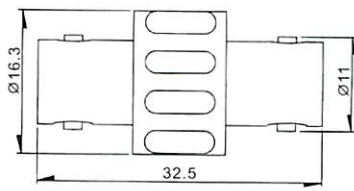

BNC Series

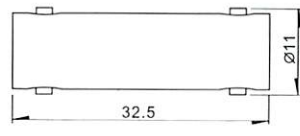

BNC

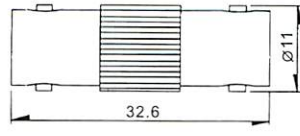

B-5813 BNC Male to Mini UHF Female Adaptor				
P/N	CABLE GROUP	IMPEDANCE		
5813	N/A	50		
B-5814 BNC Male to IEC $\phi 9.5$ Male Adaptor				
P/N	CABLE GROUP	IMPEDANCE		
5814	N/A	50		
B-5815 BNC Male to IEC $\phi 9.5$ Female Adaptor				
P/N	CABLE GROUP	IMPEDANCE		
5815	N/A	50		
B-5816 BNC Male to RCA Male Adaptor				
P/N	CABLE GROUP	IMPEDANCE		
5816	N/A	50		
B-5817 BNC Male to RCA Female Adaptor				
P/N	CABLE GROUP	IMPEDANCE		
5817	N/A	50		
B-5818 BNC Female to Female Adaptor				
P/N	CABLE GROUP	IMPEDANCE		
5818	N/A	50		

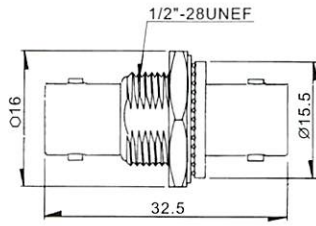

BNC Series

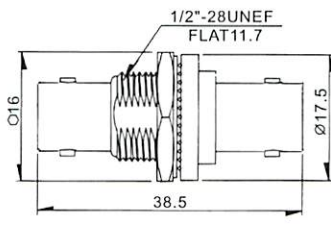

BNC

B-5819 BNC Double Female If Type Adaptor				
P/N	CABLE GROUP	IMPEDANCE		
5819	N/A	50		

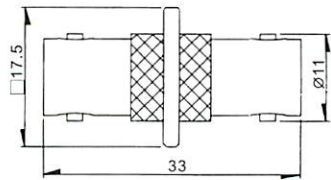

B-5820 BNC Female to Female Adaptor				
P/N	CABLE GROUP	IMPEDANCE		
5820	N/A	50		

B-5821 BNC Female to Female Adaptor				
P/N	CABLE GROUP	IMPEDANCE		
5821	N/A	50		

B-5822 BNC Double Female Bulkhead				
P/N	CABLE GROUP	IMPEDANCE		
5822	N/A	50		

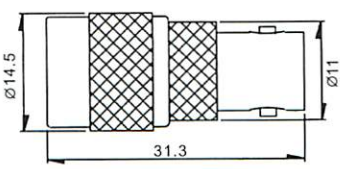

B-5823 BNC Female to BNC Female (Long Thread) Adaptor				
P/N	CABLE GROUP	IMPEDANCE		
5823	N/A	50		

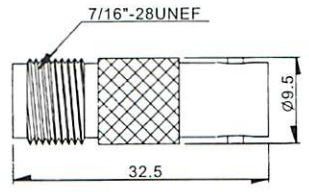

With Washer+Nut+Rubber; With+Washer+Nut

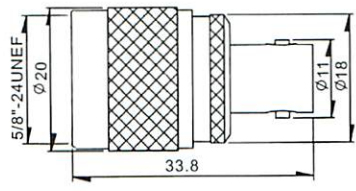

B-5824 BNC Double Female Panel Receptacle Adaptor				
P/N	CABLE GROUP	IMPEDANCE		
5824	N/A	50		

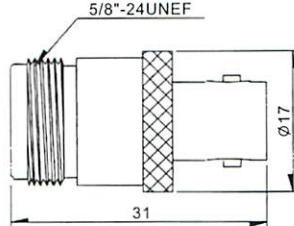

BNC Series

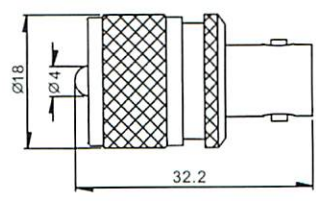

BNC

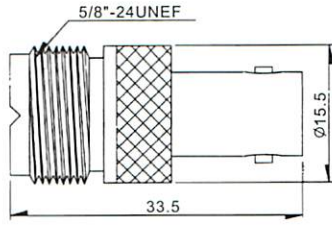

B-5825 BNC Female to TNC Male Adaptor				
P/N	CABLE GROUP	IMPEDANCE		
5825	N/A	50		

B-5826 BNC Female to TNC Female Adaptor				
P/N	CABLE GROUP	IMPEDANCE		
5826	N/A	50		

B-5827 BNC Female to N Male Adaptor				
P/N	CABLE GROUP	IMPEDANCE		
5827	N/A	50		

B-5828 BNC Female to N Female Adaptor				
P/N	CABLE GROUP	IMPEDANCE		
5828	N/A	50		

B-5829 BNC Female to UHF Male Adaptor				
P/N	CABLE GROUP	IMPEDANCE		
5829	N/A	50		

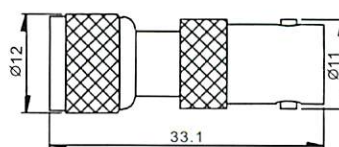

B-5830 BNC Female to UHF Female Adaptor				
P/N	CABLE GROUP	IMPEDANCE		
5830	N/A	50		

BNC Series

BNC

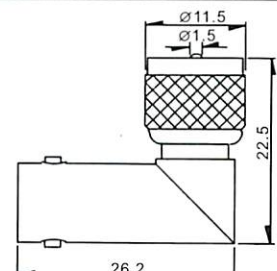

B-5831
BNC Female to Mini UHF Male Adaptor

P/N	CABLE GROUP	IMPEDANCE
5831	N/A	50

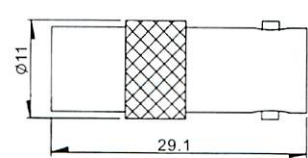

B-5832 BNC Female to Mini UHF Male Adaptor Right Angle

P/N	CABLE GROUP	IMPEDANCE
5832	N/A	50

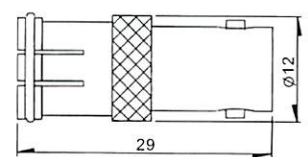

B-5833
BNC Female to IEC $\phi 9.5$ Male Adaptor

P/N	CABLE GROUP	IMPEDANCE
5833	N/A	50

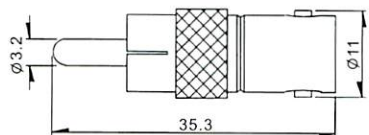

B-5834
BNC Female to IEC $\phi 9.5$ Female Adaptor

P/N	CABLE GROUP	IMPEDANCE
5834	N/A	50

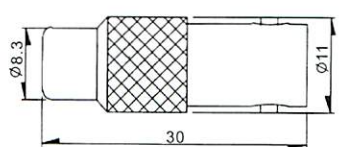

B-5835
BNC Female to RCA Male Adaptor

P/N	CABLE GROUP	IMPEDANCE
5835	N/A	50

B-5836
BNC Female to RCA Female Adaptor

P/N	CABLE GROUP	IMPEDANCE
5836	N/A	50

BNC Series

BNC

B-5837 BNC Female to RCA Female Bulkhead Adaptor				
P/N	CABLE GROUP	IMPEDANCE		
5837	N/A	50		

B-5838 BNC Female to 3.5 Mono Male Adaptor				
P/N	CABLE GROUP	IMPEDANCE		
5838	N/A	50		

B-5839 BNC Female to 2.5 Mono Male Adaptor				
P/N	CABLE GROUP	IMPEDANCE		
5839	N/A	50		

B-5840 BNC Triple Male Adaptor				
P/N	CABLE GROUP	IMPEDANCE		
5840	N/A	50		

B-5841 BNC Male to Double BNC Female Adaptor				
P/N	CABLE GROUP	IMPEDANCE		
5841	N/A	50		

B-5842 BNC Male to Double BNC Female Adaptor				
P/N	CABLE GROUP	IMPEDANCE		
5842	N/A	50		

BNC Series

BNC

B-5843 BNC Male to Double BNC Female Adaptor				
P/N	CABLE GROUP	IMPEDANCE		
5843	N/A	50		

B-5844 BNC Male to Double BNC Female Adaptor				
P/N	CABLE GROUP	IMPEDANCE		
5844	N/A	50		

B-5845 BNC Male to Double BNC Female Adaptor				
P/N	CABLE GROUP	IMPEDANCE		
5845	N/A	50		

B-5846 BNC Female to Double BNC Male Adaptor				
P/N	CABLE GROUP	IMPEDANCE		
5846	N/A	50		

B-5847 BNC Triple Female Adaptor				
P/N	CABLE GROUP	IMPEDANCE		
5847	N/A	50		

B-5848 BNC Triple Female Adaptor				
P/N	CABLE GROUP	IMPEDANCE		
5848	N/A	50		

BNC Series

BNC

B-5849 BNC Quad Female Adaptor				
P/N	CABLE GROUP	IMPEDANCE		
5849	N/A	50		

B-5850 BNC Triple Female to BNC Male Adaptor				
P/N	CABLE GROUP	IMPEDANCE		
5850	N/A	50		

B-5851 BNC Double Male to BNC Double Female Adaptor				
P/N	CABLE GROUP	IMPEDANCE		
5851	N/A	50		

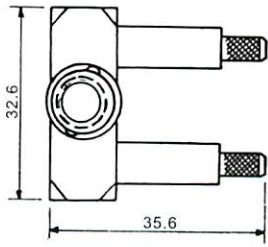

B-5852 BNC Male to Double Female(Y Adaptor)				
P/N	CABLE GROUP	IMPEDANCE		
5852	N/A	50		

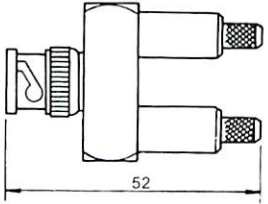

B-5853 BNC Male to Double Female(Y Adaptor)				
P/N	CABLE GROUP	IMPEDANCE		
5853	N/A	50		

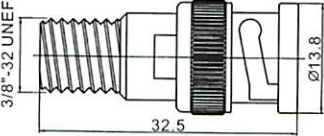

B-5854 BNC Male to Double Female(F Adaptor)				
P/N	CABLE GROUP	IMPEDANCE		
5854	N/A	50		

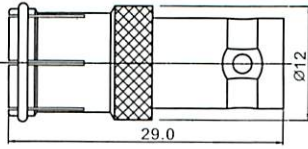

BNC Series

BNC

B-5855 BNC Male Crimp Adaptor				
P/N	CABLE GROUP	IMPEDANCE		
5855	RG-58/U RG-59/U	50 75		

B-5856 BNC Male Crimp 180° "y" Type Adaptor				
P/N	CABLE GROUP	IMPEDANCE		
5856	RG-58/U RG-59/U	50 75		

B-5857 BNC Male to F Female Adaptor				
P/N	CABLE GROUP	IMPEDANCE		
5857	N/A	50		

B-5858 BNC Female to F Quick Male Adaptor				
P/N	CABLE GROUP	IMPEDANCE		
5858	N/A	50		

P/N	CABLE GROUP	IMPEDANCE

P/N	CABLE GROUP	IMPEDANCE