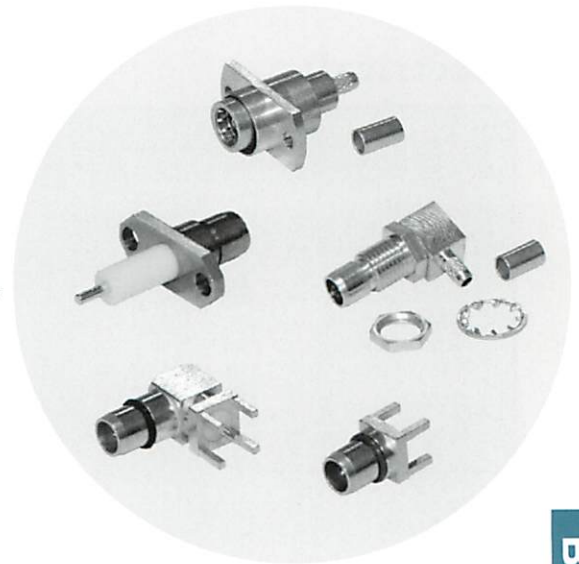
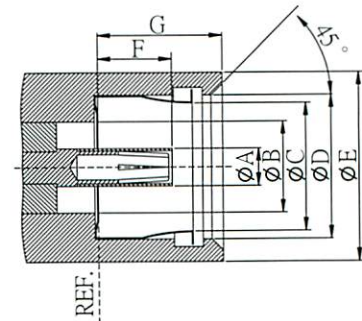
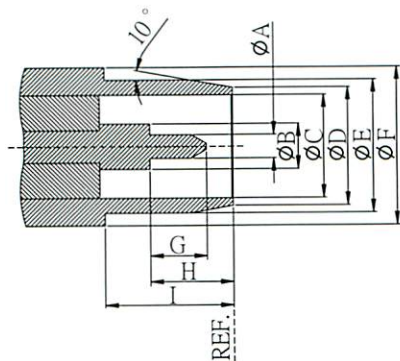


The BMA connector performs frequency up to 18 GHz and its unique internal spring design allows for a first mate/last break mating, permitting the connector to be mated with the power on. BMA connectors are ideally suited for communication.

Base station equipment and any other “shear resistant” rugged applications that requires high electrical performance combined with the ease of connecting in those confined and visually impaired spaces.



## Interface dimensions:



MALE(PLUG) mm		
	Min.	Max.
A	0.90	0.94
B	1.78 nom.	
C	4.09 nom.	
D	4.88 nom.	
E	5.31	5.35
F	7.62 nom.	
G	2.29 nom.	
H	3.25	-
I	5.03	-

FEMALE(JACK) mm		
	Min.	Max.
A	1.78 nom.	
B	4.09 nom.	
C	-	5.08
D	5.71	-
E	7.37	-
F	3.05	3.23
G	-	5.03

**Electrical:**

<b>Impedance</b>		50 ohm
<b>Frequency Range</b>		0~12.4 GHz
<b>Working Voltage</b>		250 VRMS max
<b>Dielectric Wuthstanding Voltage</b>		750 VRMS max
<b>VAWR</b>	<b>Straight</b>	1.3 max
	<b>Right Angle</b>	1.5 max
<b>Contact Resistance</b>	<b>Center Contact</b>	6 Milliohms Max.
	<b>Outer Contact</b>	3 Milliohms Max.
<b>Insulator Resistance</b>		1,000 Megohms min.

**Meaterial:**

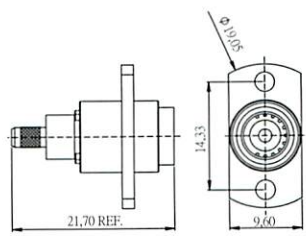

Parts name	Material	Plating
Body/Metal Parts	Brass per QQ-B-626	Nickel or Gold per requirement
Center Contacts	Male: Brass per QQ-B-626 Phosphor Bronze per QQ-B-750	Gold
	Female: Brass per QQ-B-626 Beryllium copper per QQ-C-530	
Insulators	PTFE	None
Crimp Ferrule	Annealed copper	Nickel or Gold per requirement

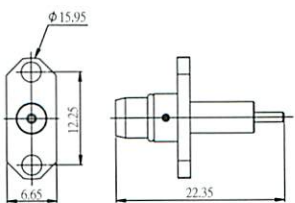

**NOTE:**Other Material/Finish is Available on Request.

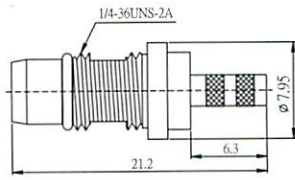

**Mechanical & Environmental:**

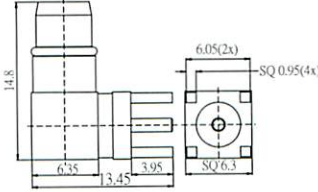

<b>Engagement Force</b>	2.3 lbs. max.
<b>Disengagement Force</b>	2.3 lbs. max.
<b>Contact Retention</b>	4 lbs. max.
<b>Durability(Mating)</b>	500 cycles min.(for Beryllium copper female contact only)

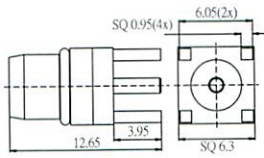

# BMA Series

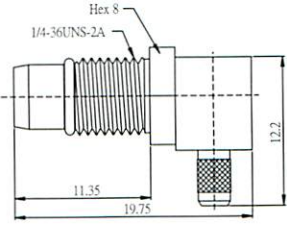

<b>BM-3201</b> BMA Female Flange Float Mount				
P/N	CABLE GROUP	IMPEDANCE		
3201	RG-316/U	50		

<b>BM-3202</b> BMA Male Panel Mount Receptacle				
P/N	CABLE GROUP	IMPEDANCE		
3202	N/A	50		

<b>BM-3203</b> BMA Male Bulkhead Crimp				
P/N	CABLE GROUP	IMPEDANCE		
3203	RG-174/U RG-316/U	50 50		

<b>BM-3204</b> BMA Male Right Angle PCB Mount				
P/N	CABLE GROUP	IMPEDANCE		
3204	N/A	50		

<b>BM-3205</b> BMA Male PCB Mount				
P/N	CABLE GROUP	IMPEDANCE		
3205	N/A	50		

<b>BM-3206</b> BMA Male Right Angle PCB Mount				
P/N	CABLE GROUP	IMPEDANCE		
3206	RG-174/U RG-316/U	50 50		

BMA

# BMA Series

<b>BM-3207</b> BMA Female PCB Mount				
P/N	CABLE GROUP	IMPEDANCE		
3207	N/A	50		

<b>BM-3208</b> BMA Male Bulkhead For Semi-Rigid Cable				
P/N	CABLE GROUP	IMPEDANCE		
3208	N/A	50		

BMA

P/N	CABLE GROUP	IMPEDANCE

P/N	CABLE GROUP	IMPEDANCE

P/N	CABLE GROUP	IMPEDANCE

P/N	CABLE GROUP	IMPEDANCE